

WELLER REPAIR SHEET

FOR: EC1301R, EC1302R, EC1302A, EC1302B, EC1503R, EC1503A, EC1503B, EC1504A, EC1504B

1. Unthread heater assembly from handle; pull assembly out of handle. Unplug five (5) terminals from cord pins.
2. Disconnect wire hanger. Old style hanger disconnects at heater. New style hanger disconnects at cord clamp. If replacing cord assembly go to **Step 5**.
3. Hold sensor spring with needle nose pliers and pull sensor off heater. Plastic tubing (if present on part to be reused) must be removed from terminals. (**See Figure 2**).
4. Assemble sensor to heater. Slide sensor down sensor tube in heater and seat sensor spring on tube. (Rotate sensor spring on to tube in a direction to "**unwind**" the spring).
5. Reassembly of tool will vary depending on mix of old and new parts.
 - a. If replacing cord assembly, two (2) hangers are provided. Match hanger to heater being used. (**See Figure 1**). **FOR OLD STYLE:** Slide hanger into cord clamp hook, flatten hook, then attach hanger to hanger mounting holes in heater. **FOR NEW STYLE:** Slide hanger into groove on heater body, then flatten cord clamp hook over end of hanger.
 - b. If replacing sensor, use existing hanger and assemble cord to heater/sensor assembly.
 - c. If replacing heater, use new hanger provided with heater. Remove old hanger from cord clamp hook. Snap new hanger into groove on heater and then into hook on cord clamp.
6. Connect terminals to pins (**See Figure 1**).
7. Snap pins into grooves of insulator (provided with sensor and heater repair parts), the order is not important. Fit wire hanger into small groove(s) in insulator.
8. Make sure all terminals and pins are fully engaged, then slide handle over insulator and wires. Thread heater into handle and tighten firmly.

REPLACEMENT PARTS

ITEM #	PART#	USAGE	DESCRIPTION
1	EC259B	EC1301R/EC1302R/EC1302A/EC1302B	Heater Replacement
1	EC262B	EC1503R/EC1503A/EC1503B	Heater Replacement
1	EC275B	EC1504A/EC1504B	Heater Replacement
2	EC260B	EC1301R/EC1302R/EC1302A/EC1302B	Sensor Replacement
2	EC263B	EC1503R/EC1503A/EC1503B/EC1504A/EC1504B	Sensor Replacement
3	EC255B	EC1503A/EC1503B	Cord/Handle Assembly
3	EC256B	EC1302A/EC1302B	Cord/Handle Assembly
3	EC261B	EC1301R	Cord/Handle Assembly
3	EC264B	EC1503R	Cord/Handle Assembly
3	EC265B	EC1302R	Cord/Handle Assembly
3	EC276B	EC1504A/EC1504B	Cord/Handle Assembly

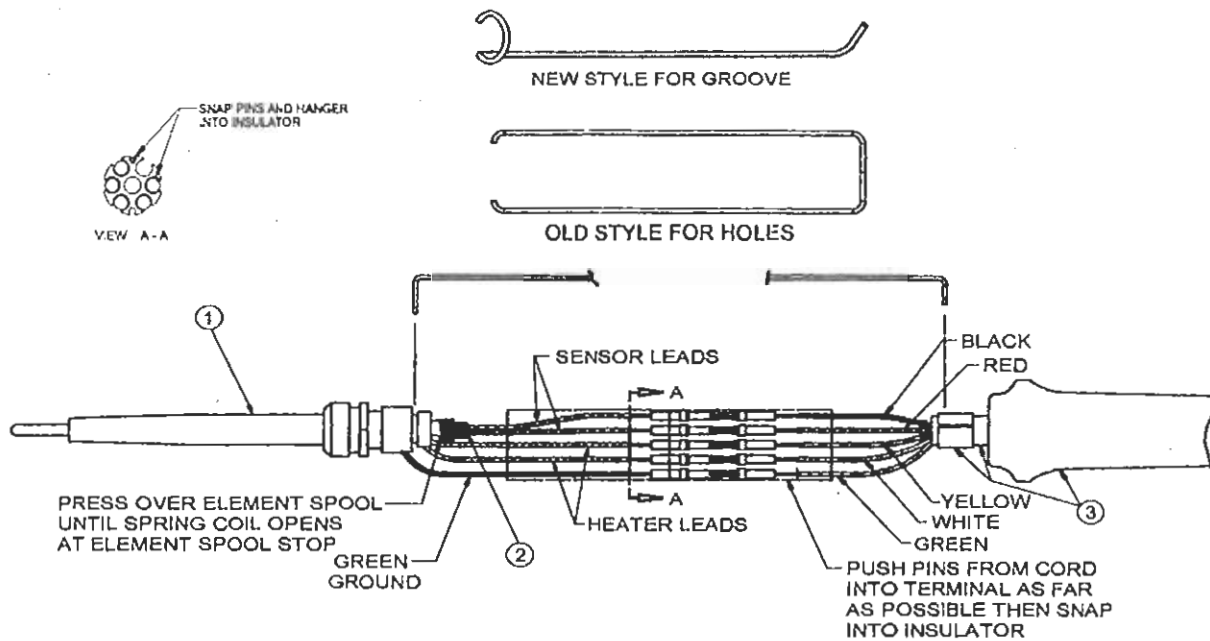


FIGURE 1

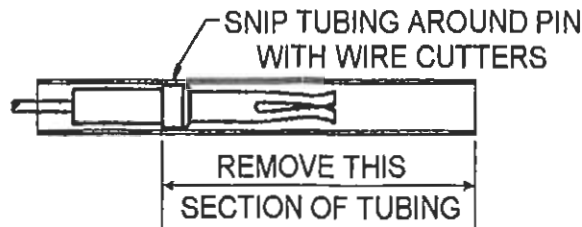


FIGURE 2

WARNINGS



1. Keep your work area in proper order.

Always return the soldering tool to its original holder when not in use. Do not bring combustible materials near the hot soldering tools.

2. Take care for the surroundings.

Don't use the soldering tool in a moist or wet environment.



3. Protect yourself against electrical shocks.

Avoid touching grounded parts with your body, e.g. pipes, heating radiators, stoves or refrigerators.

4. Keep children at a distance.

Don't allow other persons to touch or disturb the soldering tool or cord. Keep other persons away from your work area.

5. Store your soldering tool in an appropriate place.

Unused soldering tools should be stored in a dry location which is out of the reach of children (some place high or in a locked cabinet). Switch off all unused soldering tools.

6. Do not overload your soldering tool.

Use the soldering tool only with the specified voltage or specified pressure range.

7. Use the appropriate soldering tool.

Don't use a soldering tool whose performance is not adequate for your work. Never use the soldering tool for purposes for which it was not designed.

8. Wear suitable work clothes.

There is a danger of burning yourself with liquid solder. Wear the corresponding protective clothing in order to protect yourself against burns.



9. Protect your eyes.

Wear protective eye wear. When working with bonding agents, it is particularly important to observe the warning notices of the bonding agent manufacturer. Protect yourself against spattering solder. There is a danger of burning yourself with liquid solder.

10. Use a soldering vapor suction device.

If devices for solder vapor suction is available, ensure that these are connected and correctly used.

11. Do not use the cord for purposes for which it is not designed.

Never carry the soldering tool by the cord. Don't use the cord to pull the power plug from the socket. Protect the cord from heat, oil and sharp edges.

12. Protect the work piece.

Use clamping devices to hold the work in place. This is more secure than using your hands, and leaves both hands free to work with the soldering tool.

13. Avoid abnormal posture.

Set-up your workplace with proper ergonomics. Avoid bad posture when working. Always use the suitable soldering tool.

14. Take care of your soldering tool.

Keep the soldering tool clean for better and safer work. Follow the maintenance instructions and the notices concerning changing the soldering tips. Regularly inspect all connected cords and hoses. Repairs should only be carried out by a qualified technician. Use only original WELLER replacement parts.



15. Remove the power plug from the socket before opening the unit.

16. Remove all maintenance tools.

Before switching on the unit, check that all maintenance tools have been removed from the unit.

17. Avoid unexpected operation.

Make sure that the power switch is turned off when inserting the plug into the socket or connecting to power. Don't hold a soldering tool which is connected to a power supply while touching the power switch.

18. Pay attention.

Be careful of what you do. Work with caution. Don't use the soldering tool if you are not concentrating on your work.

19. Inspect the soldering tool for any damage.

Before further use of the soldering tool, safety devices or slightly damaged parts must be carefully checked for error-free and intended operation. Inspect moving parts for error-free operation and that they don't bind, or whether any parts are damaged. All parts must be properly mounted and all requirements fulfilled for guaranteed error-free operation of the soldering tool. Damaged safety devices and parts must be repaired or replaced by a qualified technician, so long as nothing else is indicated in the Operation Manual.

20. Attention.

Use only accessories or attachments which are listed in the accessories list of the Operation Manual. Use only WELLER accessories or attachments on original WELLER equipment. Use of other tools and other accessories can lead to danger of injury.



21. Repairs to your soldering tool should be carried out by a qualified technician.

This soldering tool is in accordance with the relevant safety regulations. Repairs should only be carried out by a qualified electrician using original WELLER replacement parts. Failure to do so can lead to accidents for the operator.

22. Do not work on electrically live parts.

The grip of antistatic designed soldering tools is conductive.

23. Applications with other WELLER equipment.

If the soldering tool is to be used together with other WELLER equipment and attachments, also observe the warning notices given in the corresponding Operation Manual.

24. OBSERVE THE VALID SAFETY REGULATIONS FOR YOUR WORKPLACE.