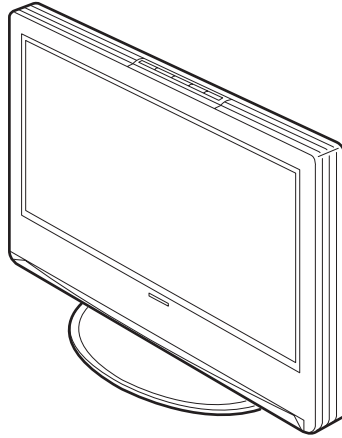


KLV-S26A10/S32A10/S40A10

SERVICE MANUAL

China Model



WAX CHASSIS

SPECIFICATIONS

Display Unit

Power Requirements:

220 V AC, 50 Hz

Screen Size:

KLV-S40A10: 40 inches (approx. 101.6 cm)

KLV-S32A10: 32 inches (approx. 81.3 cm)

KLV-S26A10: 26 inches (approx. 66 cm)

Display Resolution (horizontal × vertical):

1366 pixels × 768 lines

Power Consumption:

KLV-S40A10: 260 W

KLV-S32A10: 170 W

KLV-S26A10: 110 W

Standby Power Consumption:

KLV-S40A10: 0.6 W

KLV-S32A10: 0.5 W

KLV-S26A10: 0.5 W

Dimensions (w × h × d):

KLV-S40A10:

Approx. 999 × 740 × 370 mm (with stand)

Approx. 999 × 693 × 102.5 mm (without stand)

KLV-S32A10:

Approx. 792 × 608 × 309 mm (with stand)

Approx. 792 × 564 × 99 mm (without stand)

KLV-S26A10:

Approx. 658 × 517 × 309 mm (with stand)

Approx. 658 × 474 × 90 mm (without stand)

Weight:

KLV-S40A10:

Approx. 32.5 kg (with stand)

Approx. 26.5 kg (without stand)

KLV-S32A10:

Approx. 19.8 kg (with stand)

Approx. 16 kg (without stand)

KLV-S26A10:

Approx. 16.3 kg (with stand)

Approx. 12.5 kg (without stand)

Panel System

LCD (Liquid Crystal Display) Panel

TV System

D/K, I, B/G, M

Color System

PAL, PAL60, SECAM, NTSC 4.43, NTSC 3.58

Antenna

75 ohm external terminal

LCD Color TV

SONY®

Channel Coverage

D/K

VHF: C1 to C12 / UHF: C13 to C57, R21 to R60 /
CATV: S01 to S03, S1 to S41, Z1 to Z39

B/G

VHF: E2 to E12 / UHF: E21 to E69 /
CATV: S01 to S03, S1 to S41
VHF: 0 to 12, 5A, 19A / UHF: 28 to 69 /
CATV: S01 to S03, S1 to S41 (Australia only)
VHF: 1 to 11 / UHF: 21 to 69 /
CATV: S01 to S03, S1 to S41 (New Zealand only)


I

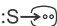
UHF: B21 to B68 / CATV: S01 to S03, S1 to S41

M

VHF: A2 to A13 / UHF: A14 to A79 /
CATV: A-8 to A-2, A to W+4, W+6 to W+84

Terminals

VIDEO IN1/2/3: 

S VIDEO (4-pin mini DIN): 

Y: 1.0 Vp-p, 75 ohms unbalanced, sync negative
C: 0.286 Vp-p (Burst signal), 75 ohms


VIDEO: 

1 Vp-p, 75 ohms unbalanced, sync negative

AUDIO: 

500 mVrms

Impedance: 47 kilohms

HD/DVD IN 1/2: 

YPbPr (Component Video) :

Y : 1.0 Vp-p, 75 ohms unbalanced, sync negative

Pb : 0.7 Vp-p, 75 ohms


Pr : 0.7 Vp-p, 75 ohms

Signal format : 480i, 576i, 480p, 576p, 720p, 1080i

AUDIO: 

500 mVrms

Impedance: 47 kilohms

VIDEO OUT: 

VIDEO: 

1 Vp-p, 75 ohms unbalanced, sync negative

AUDIO: 

More than 1 Vrms at the maximum volume setting
(Variable)

More than 500 mVrms (Fixed)

PC : 

D-sub 15-pin, analogue RGB, 0.7 Vp-p,
75 ohms, positive

See the PC Input Signal Compatibility Chart on page 38

AUDIO : 

Stereo minijack, 0.5 Vrms, 1 kilohm

Headphones 

Stereo minijack

Sound Output

KLV-S40A10: 8.5 W + 8.5 W

KLV-S32A10: 8.5 W + 8.5 W

KLV-S26A10: 8.5 W + 8.5 W

Optional accessories

- Wall-Mount Bracket
KLV-S40A10: SU-PW2
KLV-S32A10, KLV-S26A10: SU-WL31

Design and specifications are subject to change
without notice.

SAFETY CHECK-OUT

After correcting the original service problem, perform the following safety checks before releasing the set to the customer:

1. Check the area of your repair for unsoldered or poorly-soldered connections. Check the entire board surface for solder splashes and bridges.
2. Check the interboard wiring to ensure that no wires are "pinched" or contact high-wattage resistors.
3. Check that all control knobs, shields, covers, ground straps, and mounting hardware have been replaced. Be absolutely certain that you have replaced all the insulators.
4. Look for unauthorized replacement parts, particularly transistors, that were installed during a previous repair. Point them out to the customer and recommend their replacement.
5. Look for parts which, though functioning, show obvious signs of deterioration. Point them out to the customer and recommend their replacement.
6. Check the line cords for cracks and abrasion. Recommend the replacement of any such line cord to the customer.
7. Check the antenna terminals, metal trim, "metallized" knobs, screws, and all other exposed metal parts for AC Leakage. Check leakage as described right.

LEAKAGE TEST

The AC leakage from any exposed metal part to earth ground and from all exposed metal parts to any exposed metal part having a return to chassis, must not exceed 0.5 mA (500 microamperes).

Leakage current can be measured by any one of three methods.

1. A commercial leakage tester, such as the Simpson 229 or RCA WT-540A. Follow the manufacturers' instructions to use these instruments.
2. A battery-operated AC milliammeter. The Data Precision 245 digital multimeter is suitable for this job.
3. Measuring the voltage drop across a resistor by means of a VOM or battery-operated AC voltmeter. The "limit" indication is 0.75 V, so analog meters must have an accurate low-voltage scale. The Simpson 250 and Sanwa SH-63Trd are examples of a passive VOMs that are suitable. Nearly all battery operated digital multimeters that have a 2 V AC range are suitable. (See Fig. A)

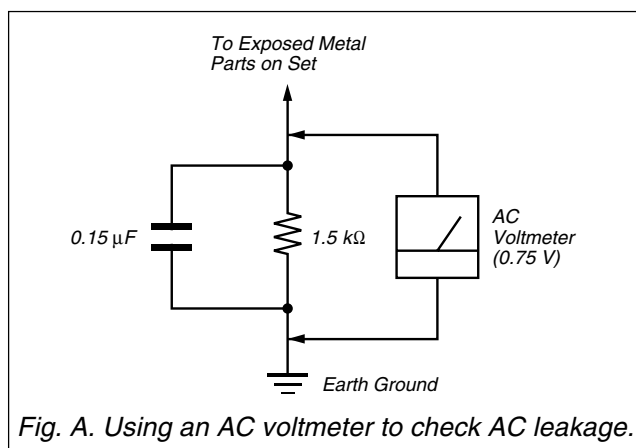


Fig. A. Using an AC voltmeter to check AC leakage.

WARNING!!

SAFETY-RELATED COMPONENT WARNING!!
COMPONENTS IDENTIFIED BY SHADING AND MARK \triangle ON THE SCHEMATIC DIAGRAMS, EXPLODED VIEWS AND IN THE PARTS LIST ARE CRITICAL FOR SAFE OPERATION. REPLACE THESE COMPONENTS WITH SONY PARTS WHOSE PART NUMBERS APPEAR AS SHOWN IN THIS MANUAL OR IN SUPPLEMENTS PUBLISHED BY SONY. CIRCUIT ADJUSTMENTS THAT ARE CRITICAL FOR SAFE OPERATION ARE IDENTIFIED IN THIS MANUAL. FOLLOW THESE PROCEDURES WHENEVER CRITICAL COMPONENTS ARE REPLACED OR IMPROPER OPERATION IS SUSPECTED.

AVERTISSEMENT!!

ATTENTION AUX COMPOSANTS RELATIFS À LA SÉCURITÉ!!
LES COMPOSANTS IDENTIFIÉS PAR UNE TRAME ET UNE MARQUE ! SONT CRITIQUES POUR LA SÉCURITÉ. NE LES REMPLACER QUE PAR UNE PIÈCE PORTANT LE NUMÉRO SPECIFIÉ. LES RÉGLAGES DE CIRCUIT DONT L'IMPORTANCE EST CRITIQUE POUR LA SÉCURITÉ DU FONCTIONNEMENT SONT IDENTIFIÉS DANS LE PRÉSENT MANUEL. SUIVRE CES PROCÉDURES LORS DE CHAQUE REMPLACEMENT DE COMPOSANTS CRITIQUES, OU LORSQU'UN MAUVAIS FONCTIONNEMENT EST SUSPECTÉ.

TABLE OF CONTENTS

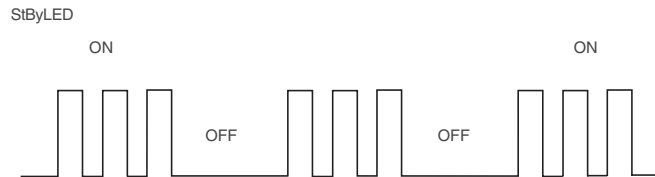
1. SELF-DIAGNOSIS FUNCTION	1-1	6. EXPLODED VIEWS	6-1
2. DISASSEMBLY	2-1	6-1. KLV-S26A10/S32A10	6-2
2-1. KLV-S26A10/S32A10	2-1	6-1-1. REAR CABINET ASSY AND STAND ASSY ..	6-2
2-1-1. STAND ASSY REMOVAL	2-1	6-1-2. CHASSIS-1	6-3
2-1-2. REAR CABINET ASSY REMOVAL	2-1	6-1-3. CHASSIS-2	6-4
2-1-3. H1E BOARD REMOVAL	2-2	6-1-4. CHASSIS-3	6-5
2-1-4. VESA BRACKET ASSY REMOVAL	2-2	6-1-5. CHASSIS-4	6-6
2-1-5. SIDE BRACKET ASSY AND S1 TOP SHIELD REMOVAL	2-3	6-1-6. LCD PANEL	6-7
2-1-6. G2 AND H2 BOARDS REMOVAL	2-3	6-2. KLV-S40A10	6-8
2-1-7. GE2 BOARD REMOVAL	2-4	6-2-1. REAR CABINET ASSY AND STAND ASSY ..	6-8
2-1-8. A2G BOARD REMOVAL	2-4	6-2-2. CHASSIS-1	6-9
2-1-9. BG BOARD REMOVAL	2-5	6-2-3. CHASSIS-2	6-10
2-1-10. H3 BOARD AND SPEAKER REMOVAL	2-5	6-2-4. CHASSIS-3	6-11
2-1-11. LCD PANEL REMOVAL	2-6	6-2-5. CHASSIS-4	6-12
2-2. KLV-S40A10	2-7	6-2-6. LCD PANEL	6-13
2-2-1. STAND ASSY REMOVAL	2-7	6-3. PACKING MATERIALS (KLV-S26A10)	6-14
2-2-2. REAR CABINET ASSY REMOVAL	2-7	6-4. PACKING MATERIALS (KLV-S32A10)	6-15
2-2-3. H1E BOARD REMOVAL	2-8	6-5. PACKING MATERIALS (KLV-S40A10)	6-16
2-2-4. VESA BRACKET ASSY REMOVAL	2-8	7. ELECTRICAL PARTS LIST	7-1
2-2-5. SIDE BRACKET ASSY AND S1 TOP SHIELD REMOVAL	2-9		
2-2-6. H2 BOARD REMOVAL	2-9		
2-2-7. G3 BOARD REMOVAL	2-10		
2-2-8. A2G BOARD AND GE2 BOARD REMOVAL ..	2-10		
2-2-9. BG BOARD REMOVAL	2-11		
2-2-10. H3 BOARD AND SPEAKER REMOVAL ..	2-11		
2-2-11. LCD PANEL REMOVAL	2-12		
3. ADJUSTMENTS	3-1		
3-1. Signal Adjustment	3-1		
3-1-1. PAL auto adjustment (CVBS)	3-1		
3-1-2. NTSC auto adjustment (CVBS)	3-1		
3-2. White Balance Adjustment	3-1		
3-2-1. White Balance adjustment (H/L)	3-1		
3-2-2. White Balance adjustment (C/O)	3-2		
3-2-3. SECAM White Balance adjustment (H/L)	3-2		
3-2-4. SECAM White Balance adjustment (C/O)	3-3		
3-3. TEST TEST MODE	3-3		
4. TROUBLESHOOTING	4-1		
5. DIAGRAMS	5-1		
Schematic Diagrams of A2G BOARD			
Schematic Diagram of G2 BOARD			
Schematic Diagrams of G3 BOARD			
Schematic Diagram of GE2 BOARD			
Schematic Diagram of H1E BOARD			
Schematic Diagram of H2 BOARD			
Schematic Diagram of H3 BOARD			

SECTION 1

SELF-DIAGNOSIS FUNCTION

The identification of errors within the WAX chassis is triggered in one of two ways :- 1: Busy or 2: Device failure to respond to IIC. In the event of one of these situations arising the software will first try to release the bus if busy (Failure to do so will report with a continuous flashing LED) and then communicate with each device in turn to establish if a device is faulty. If a device is found to be faulty the relevant device number will be displayed through the LED (Series of flashes which must be counted).

Flash Timing Example : e.g. error number 3



LED Error Code

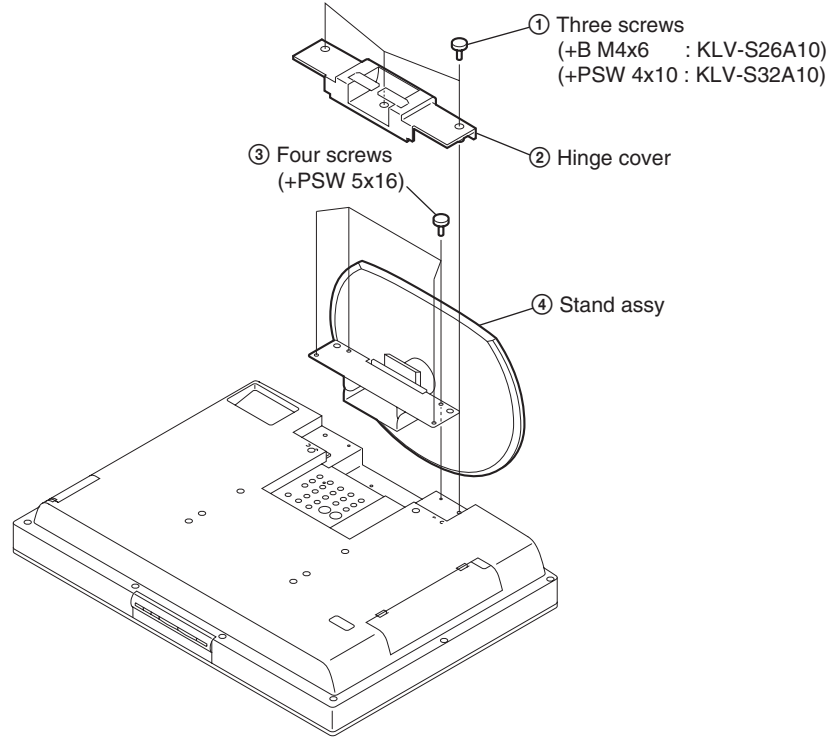
LDE ERORR CEDO	ENOITPIRCSEDRORR
02	Power Supply (PA) Protection Erro
03	Power Supply (PB) Protection Erro
04	Panel Erro
05	DC Alert Protection Erro
06	Speaker Protection Erro
07	AC Det / OVP
08	Digital Erro
09	Tuner Erro
10	Sound Processor Erro
11	Video Processor (SVP-EX) Erro
12	Chroma Decoder (CXA2163) Erro
13	AV Switch (CXA2069) Erro
14	RTC IC Erro
15	Temperature Sensor (LM75) Erro
16	Port Expander 1 Erro
17	Port Expander 2 Erro
18	Port Expander 3 Erro
19	NVM Erro
20	IIC Erro

SECTION 2 DISASSEMBLY

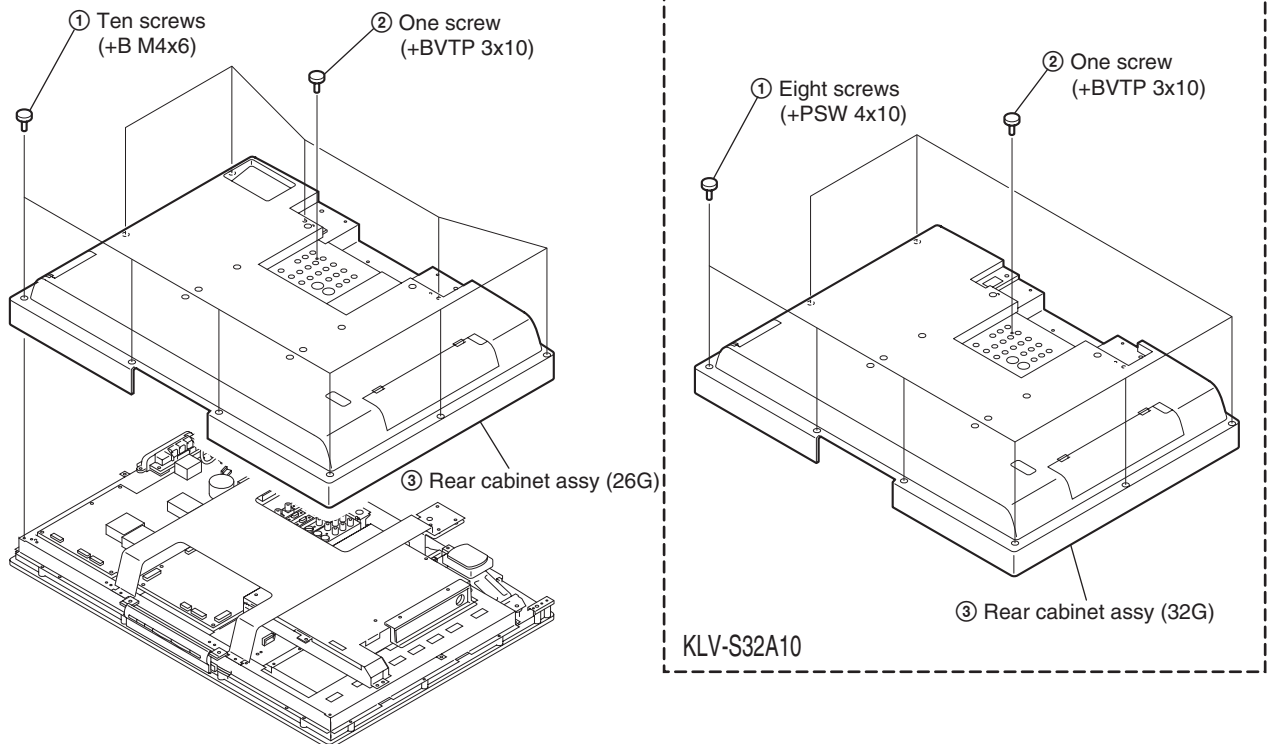
Note: Illustrations are created based on KLV-S26A10.

2-1. KLV-S26A10/S32A10

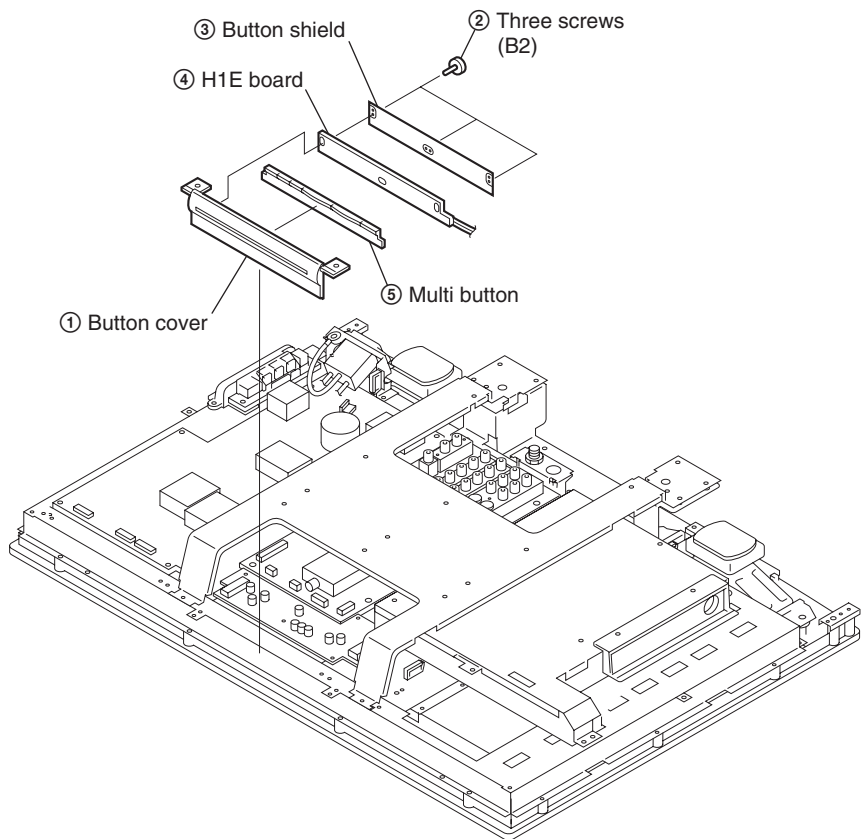
2-1-1. STAND ASSY REMOVAL



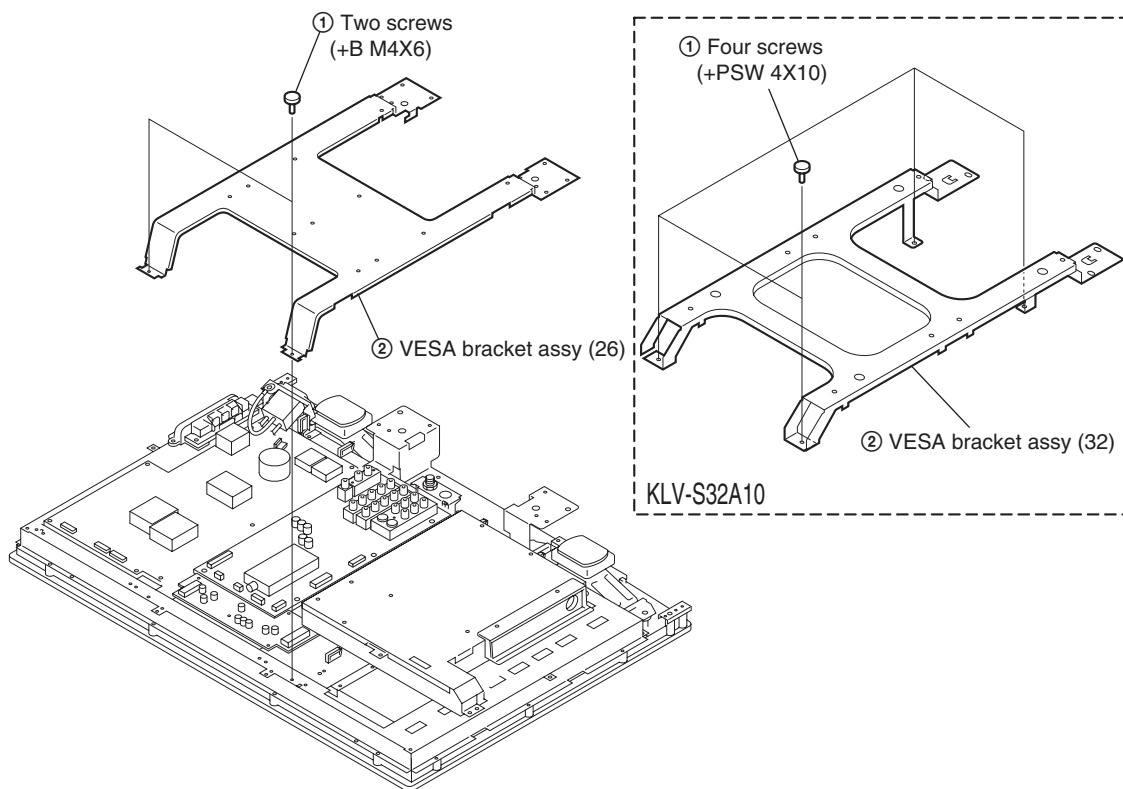
2-1-2. REAR CABINET ASSY REMOVAL



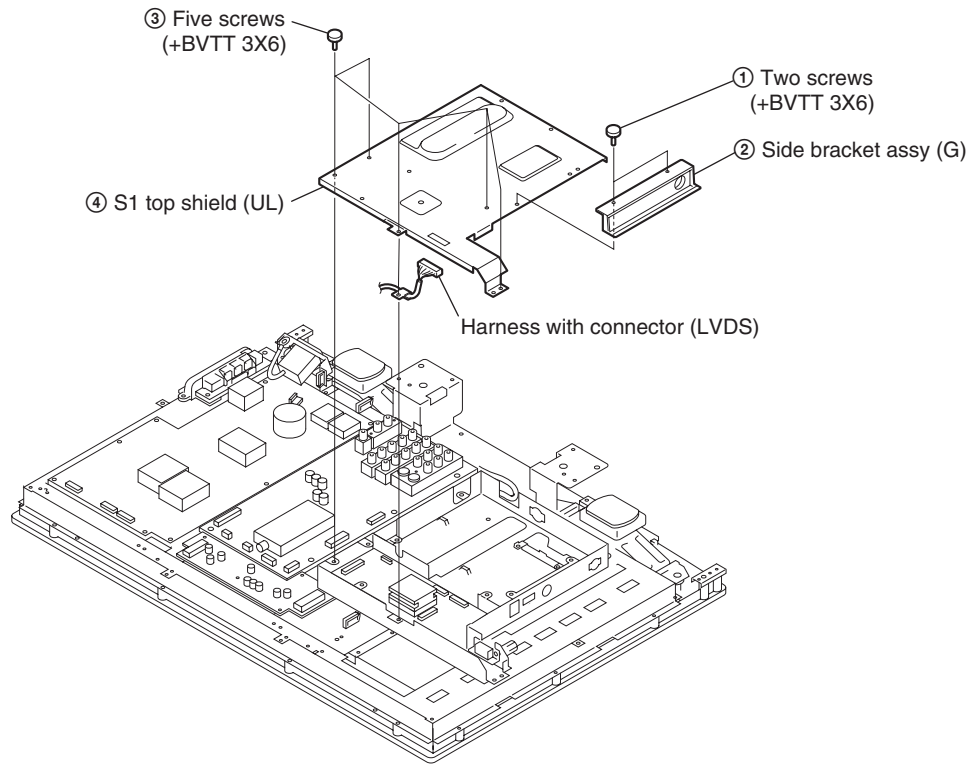
2-1-3. H1E BOARD REMOVAL



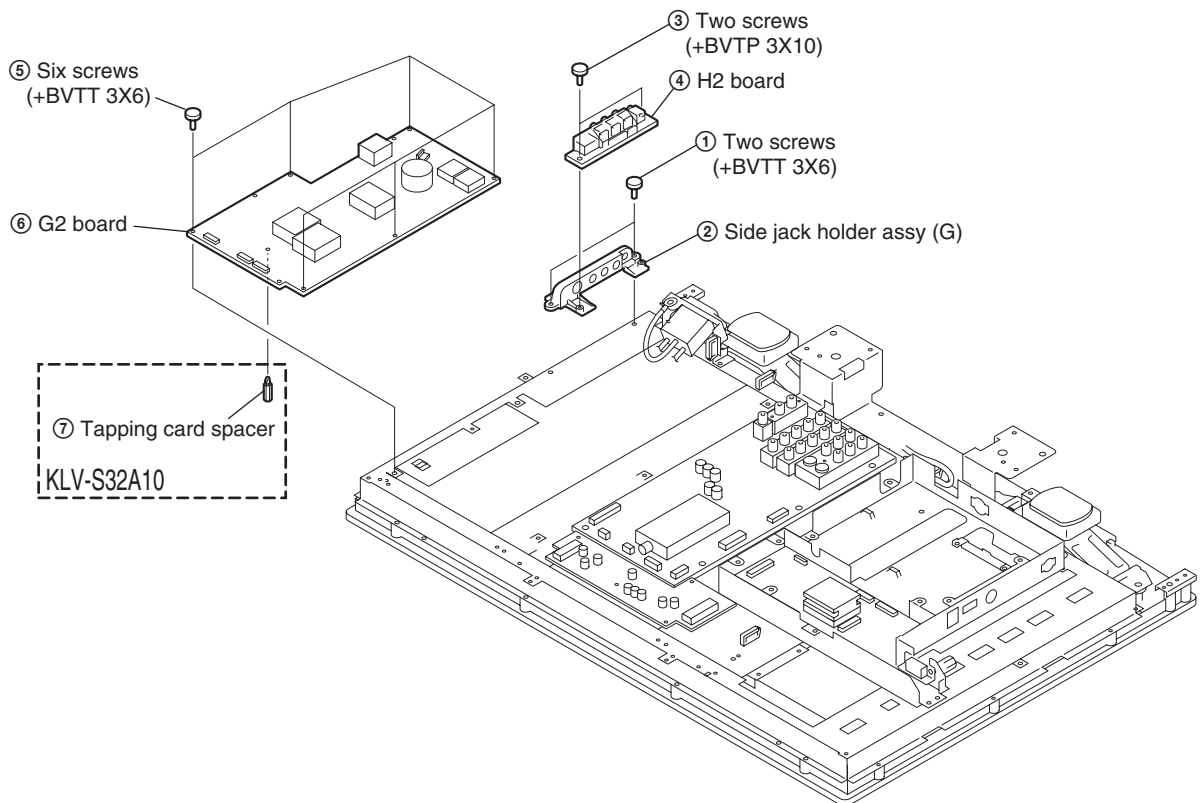
2-1-4. VESA BRACKET ASSY REMOVAL



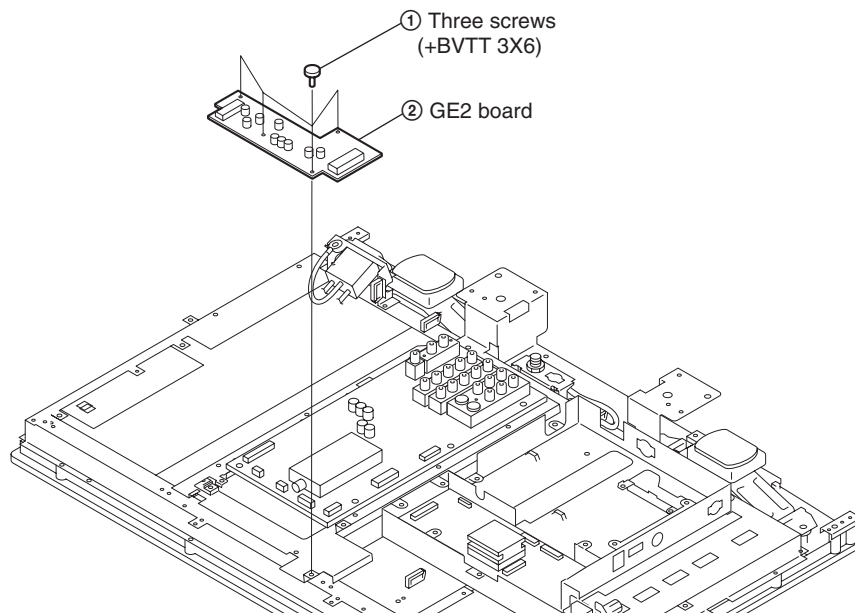
2-1-5. SIDE BRACKET ASSY AND S1 TOP SHIELD REMOVAL



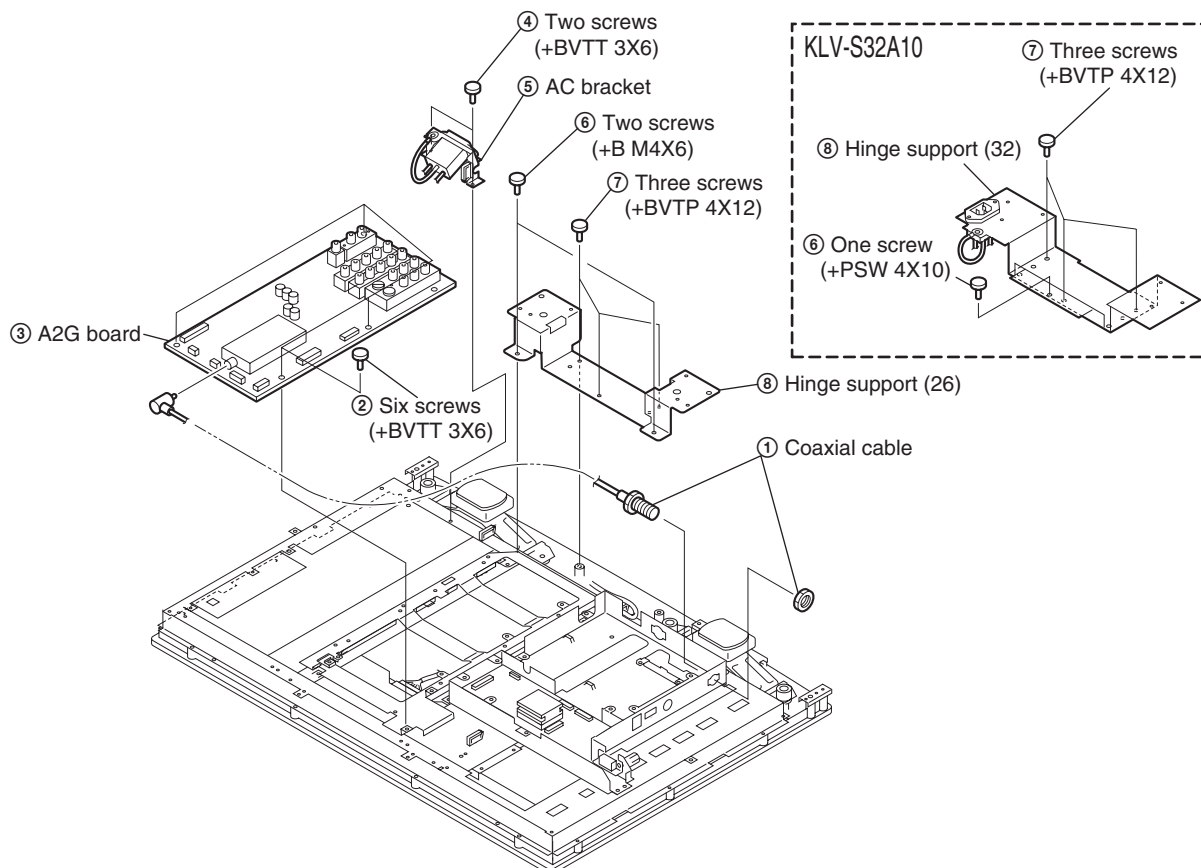
2-1-6. G2 AND H2 BOARDS REMOVAL



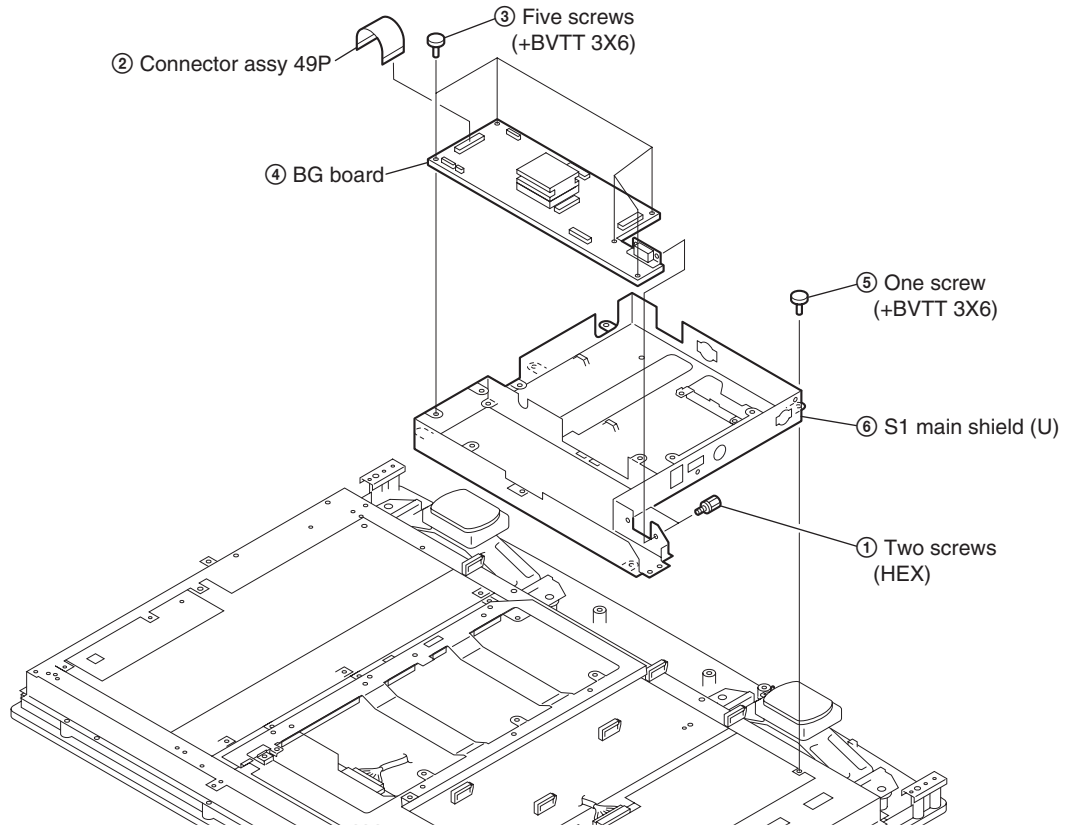
2-1-7. GE2 BOARD REMOVAL



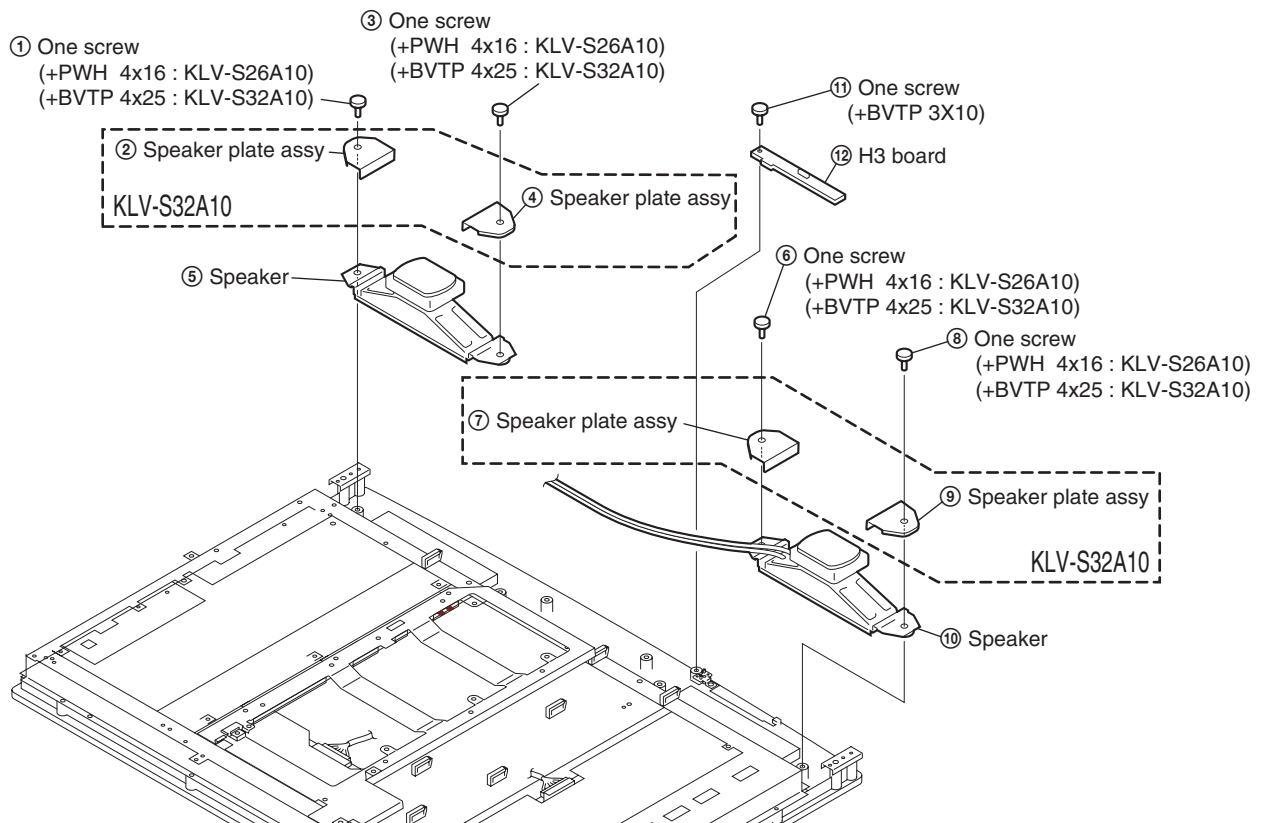
2-1-8. A2G BOARD REMOVAL



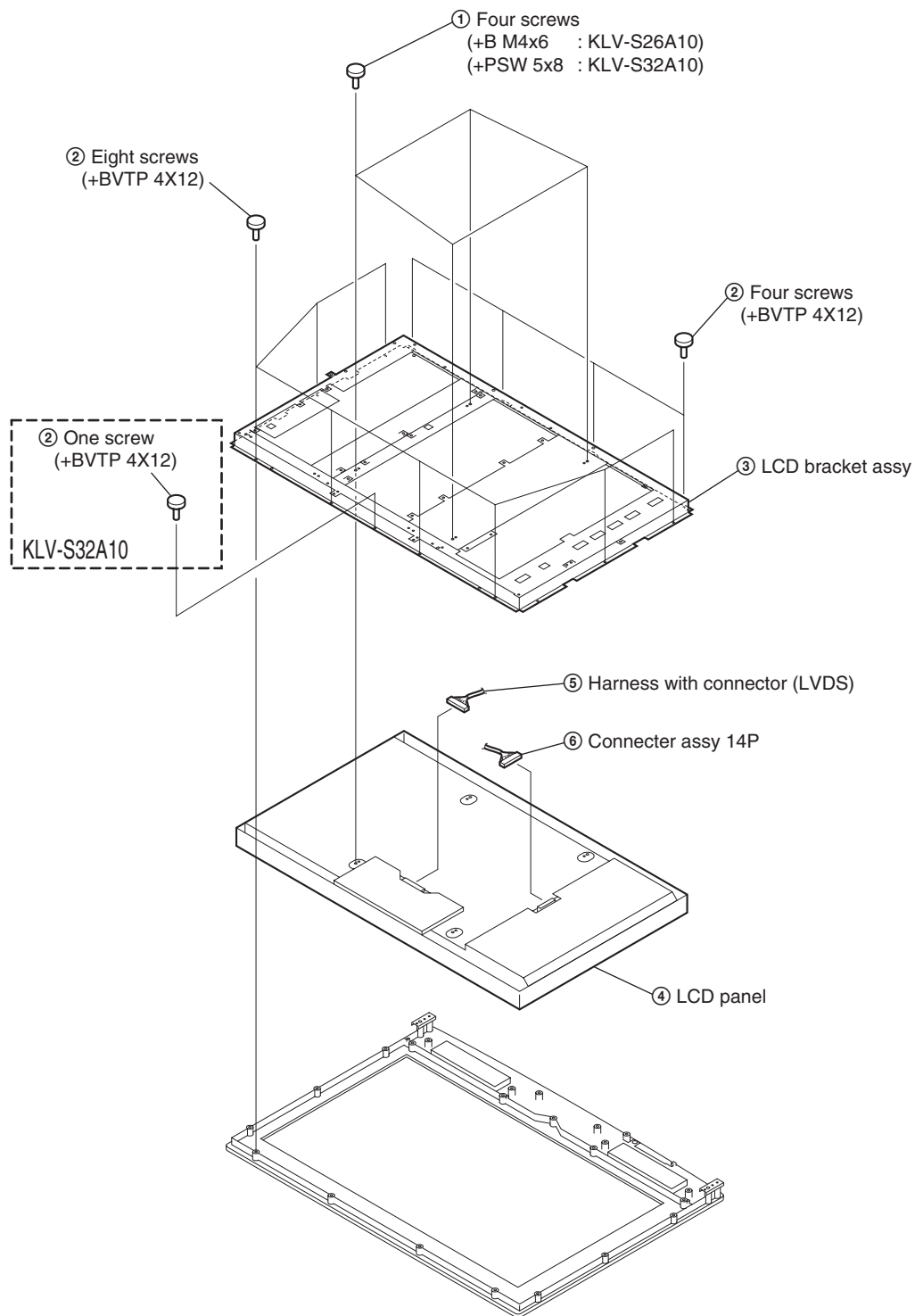
2-1-9. BG BOARD REMOVAL



2-1-10. H3 BOARD AND SPEAKER REMOVAL

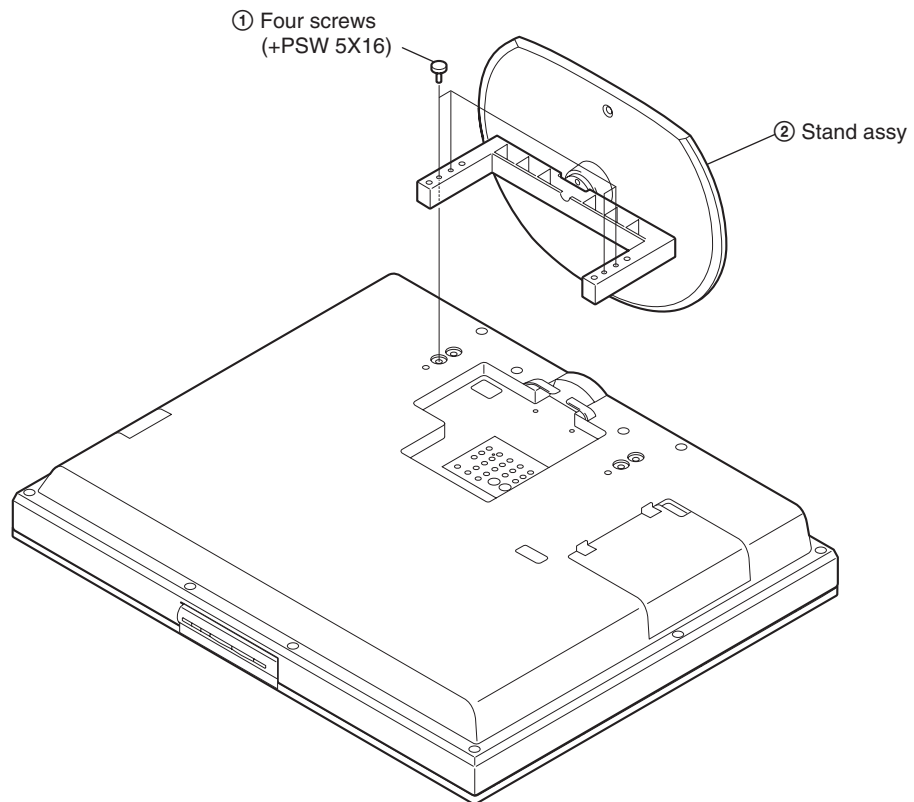


2-1-11. LCD PANEL REMOVAL

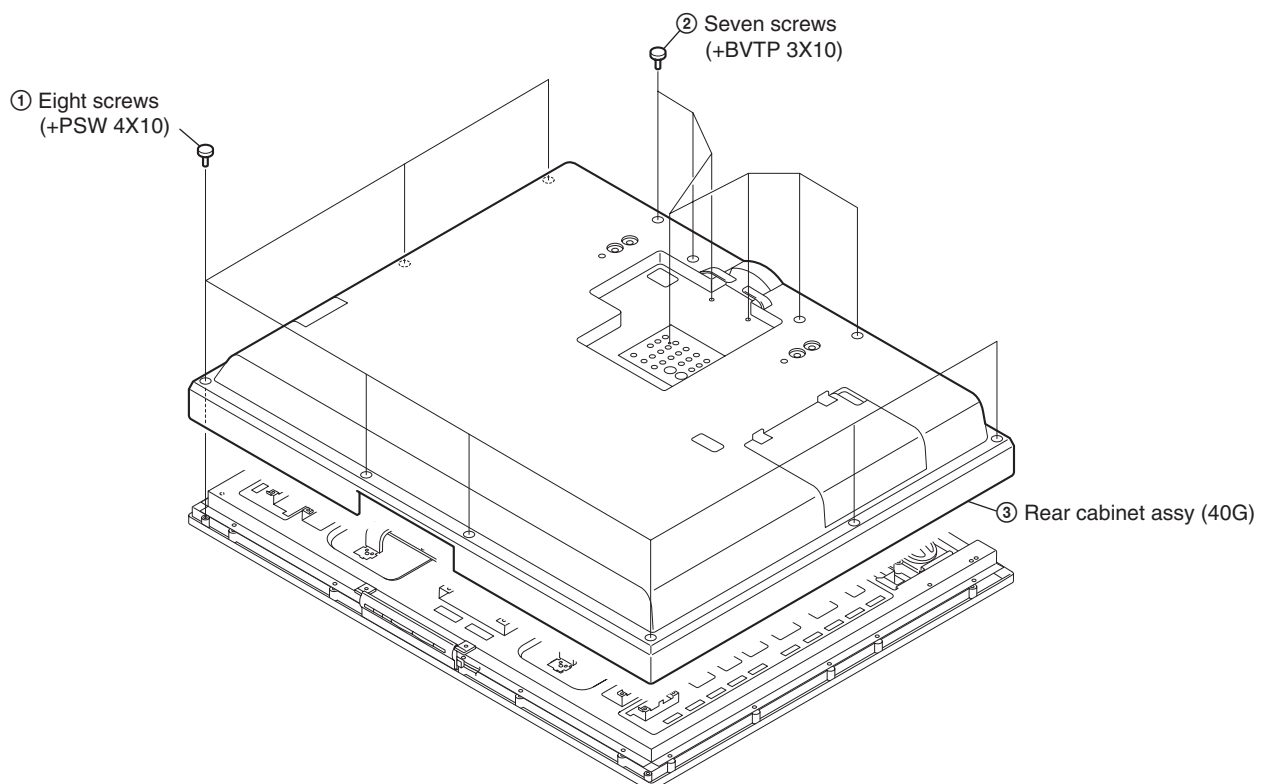


2-2. KLV-S40A10

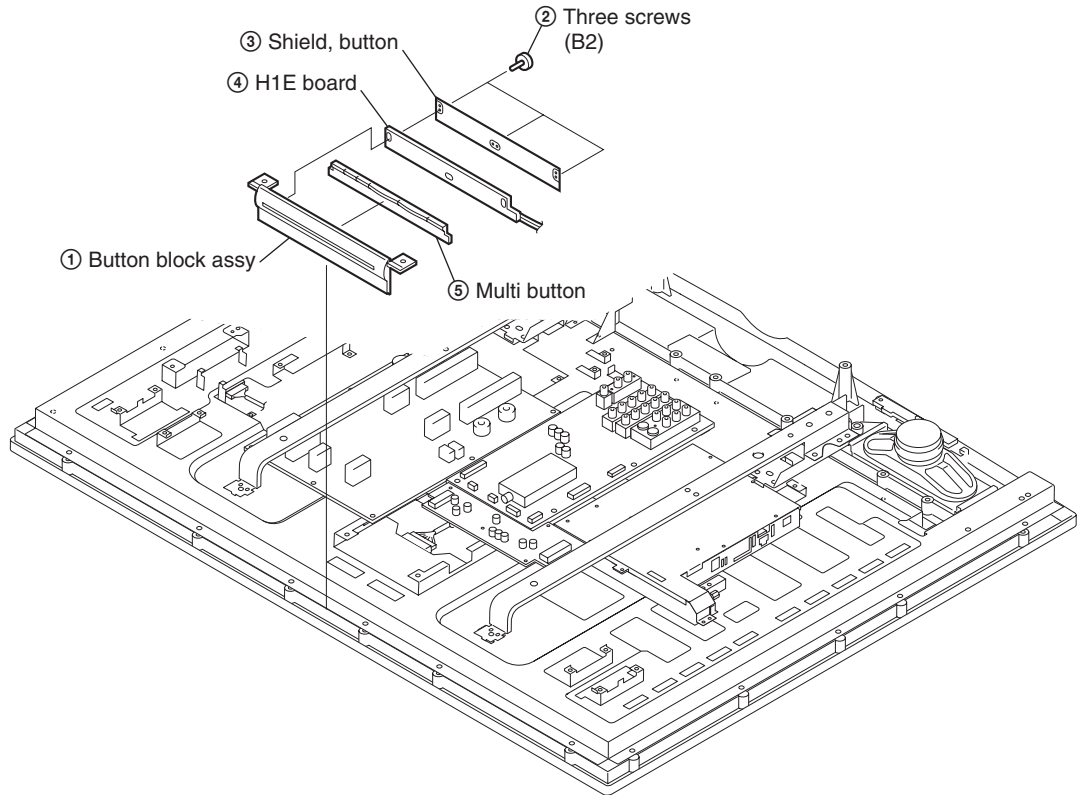
2-2-1. STAND ASSY REMOVAL



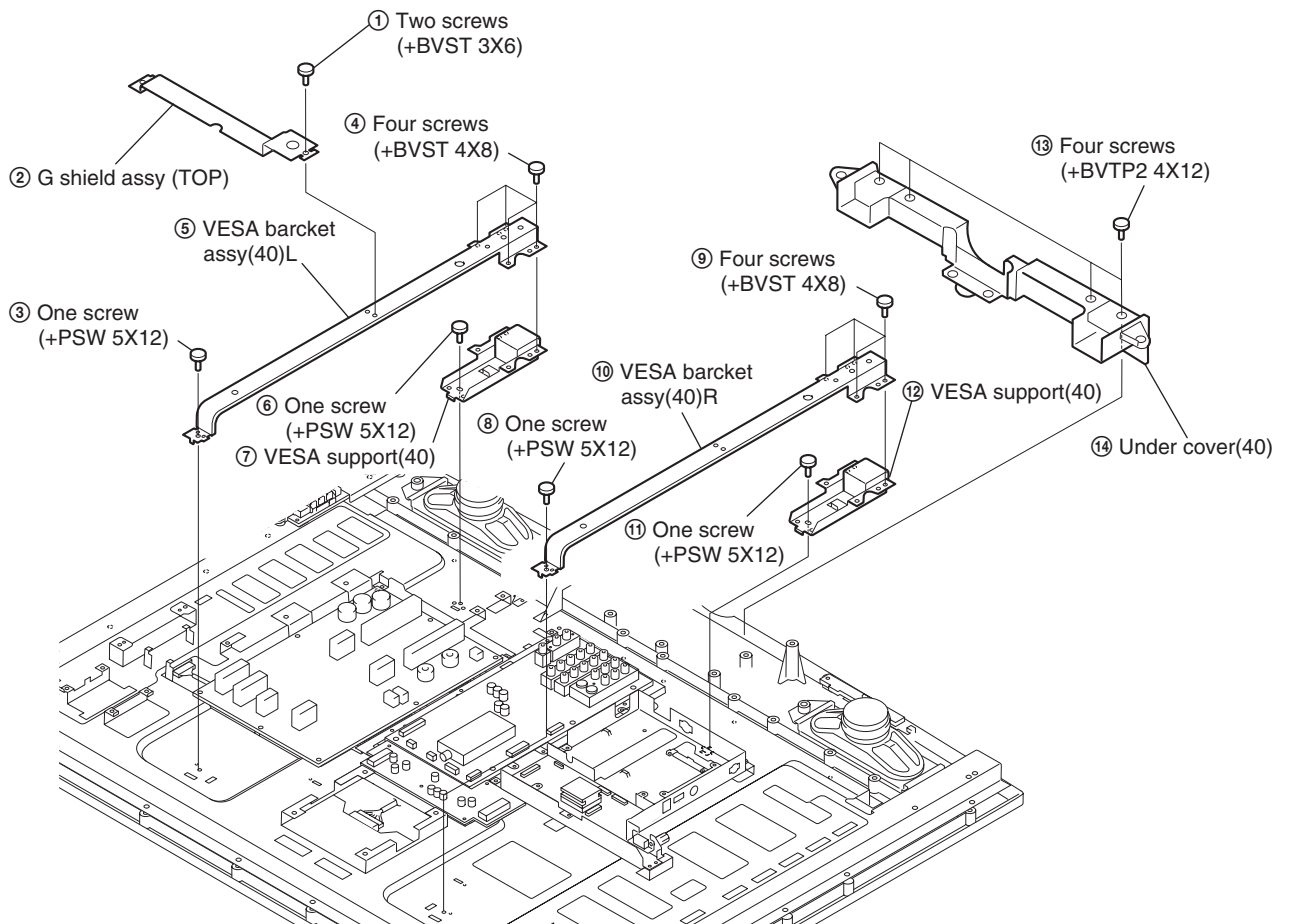
2-2-2. REAR CABINET ASSY REMOVAL



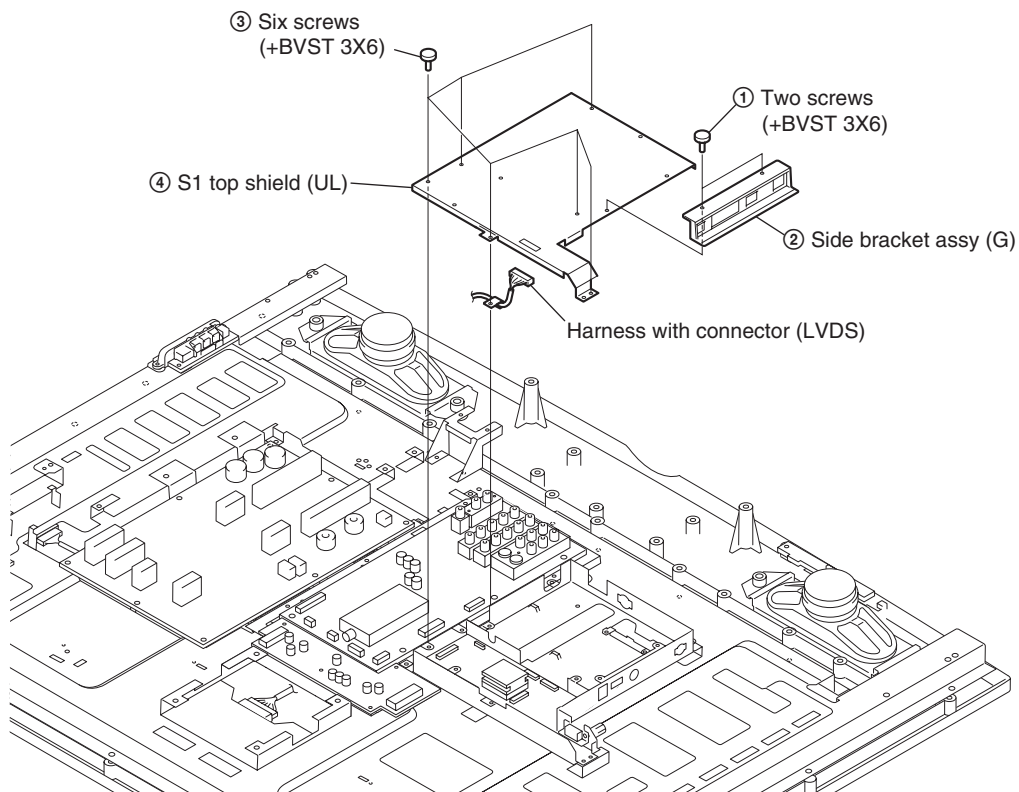
2-2-3. H1E BOARD REMOVAL



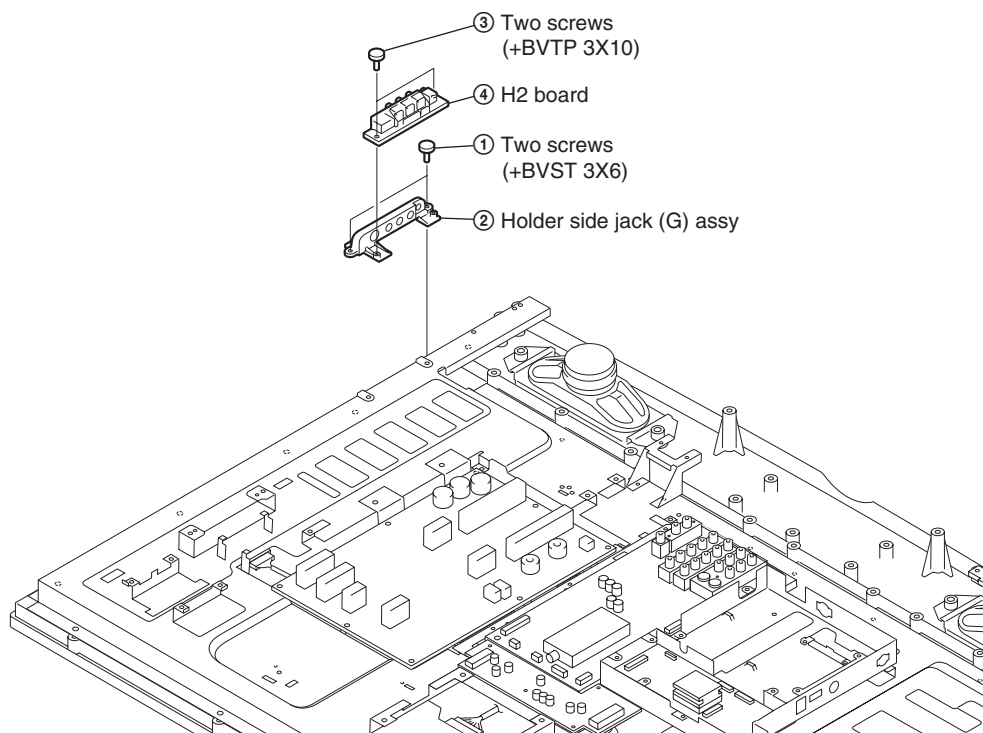
2-2-4. VESA BRACKET ASSY REMOVAL



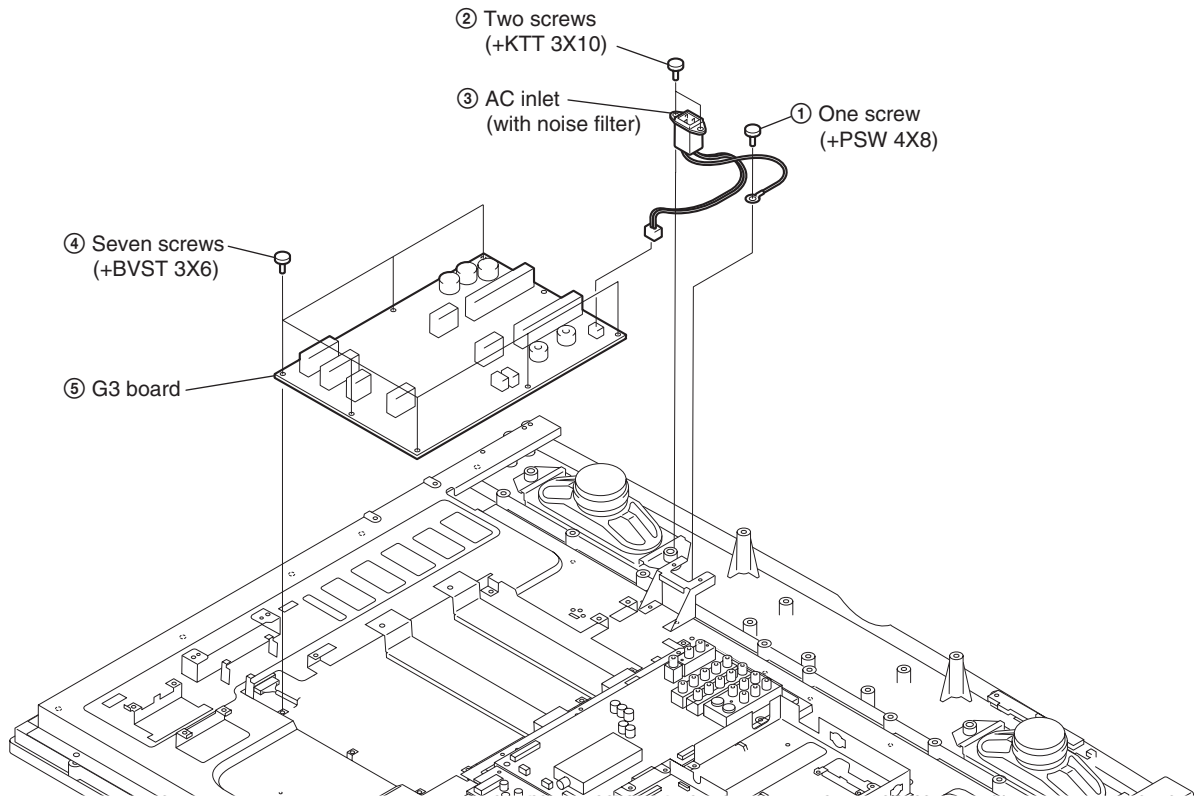
2-2-5. SIDE BRACKET ASSY AND S1 TOP SHIELD REMOVAL



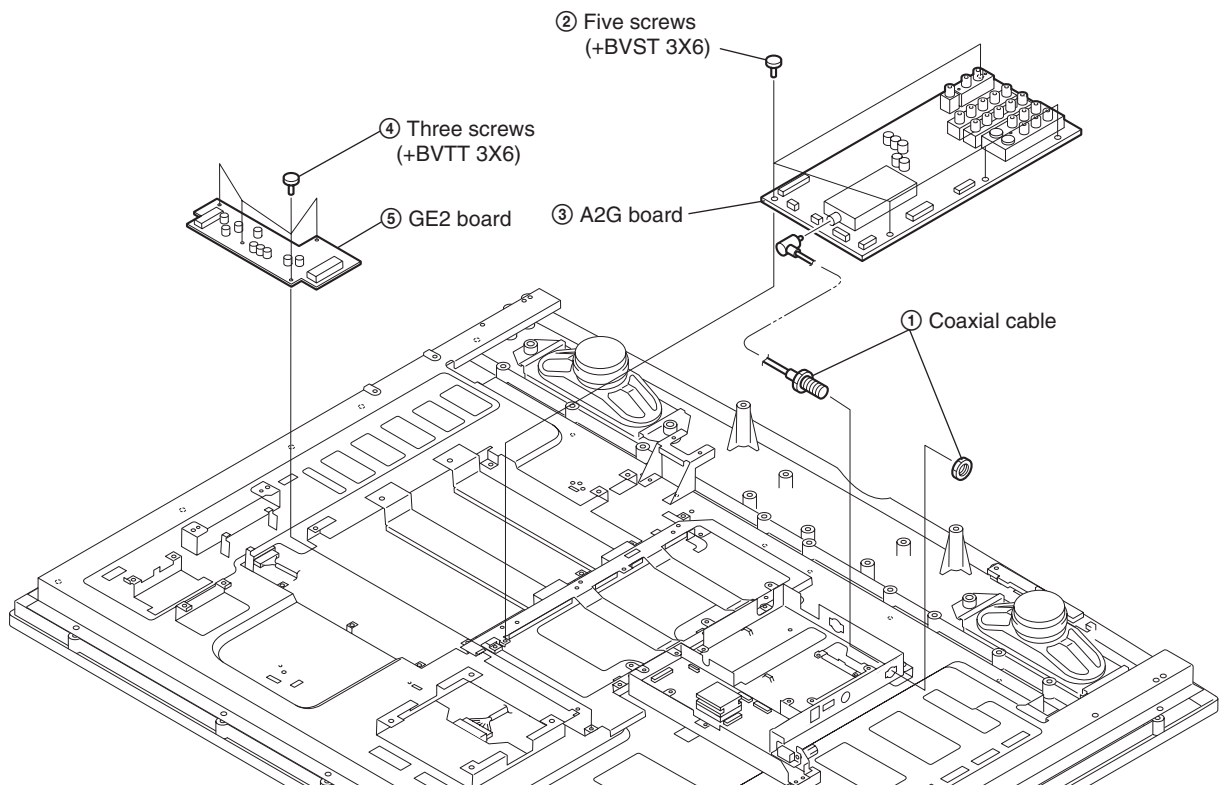
2-2-6. H2 BOARD REMOVAL



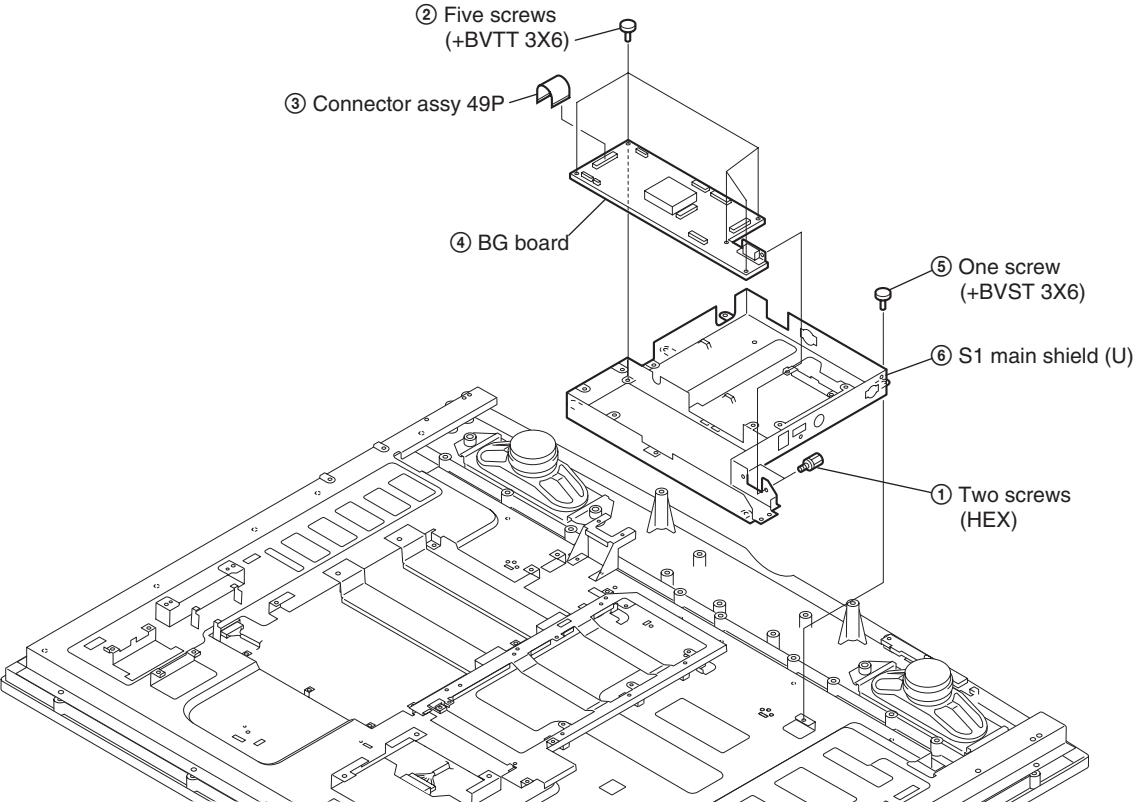
2-2-7. G3 BOARD REMOVAL



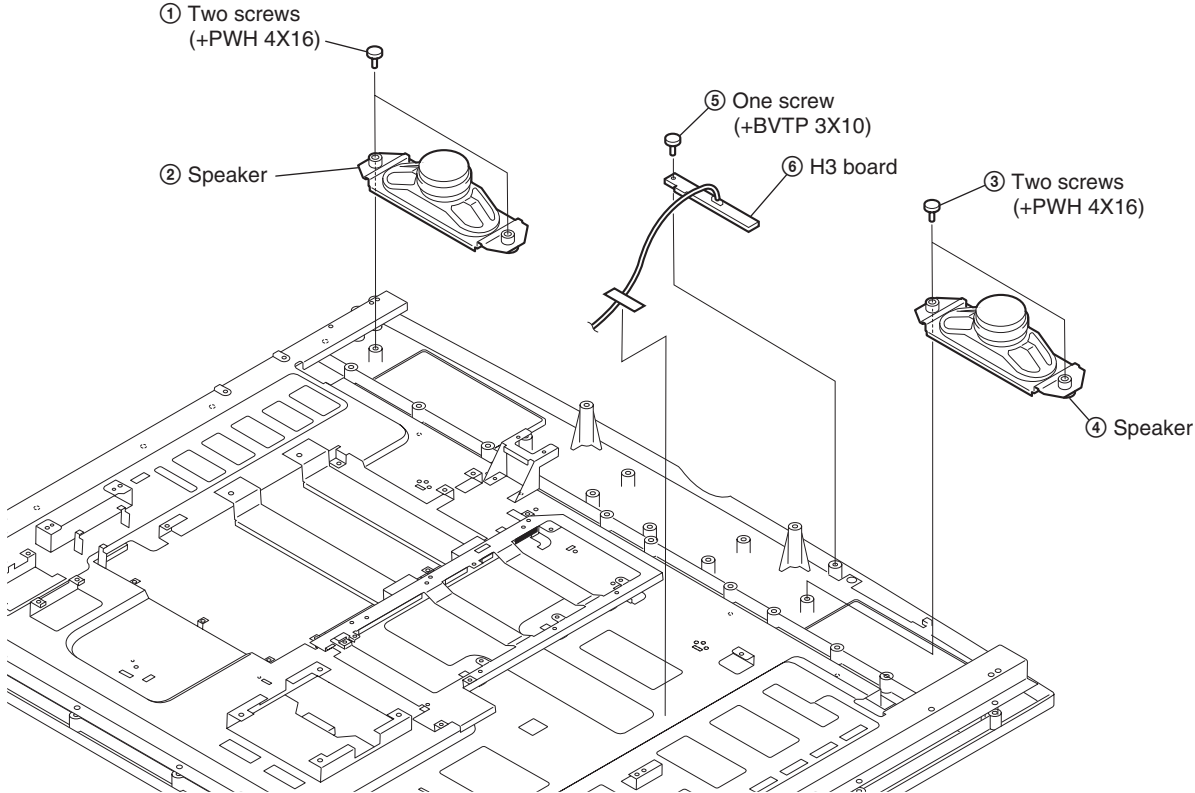
2-2-8. A2G BOARD AND GE2 BOARD REMOVAL



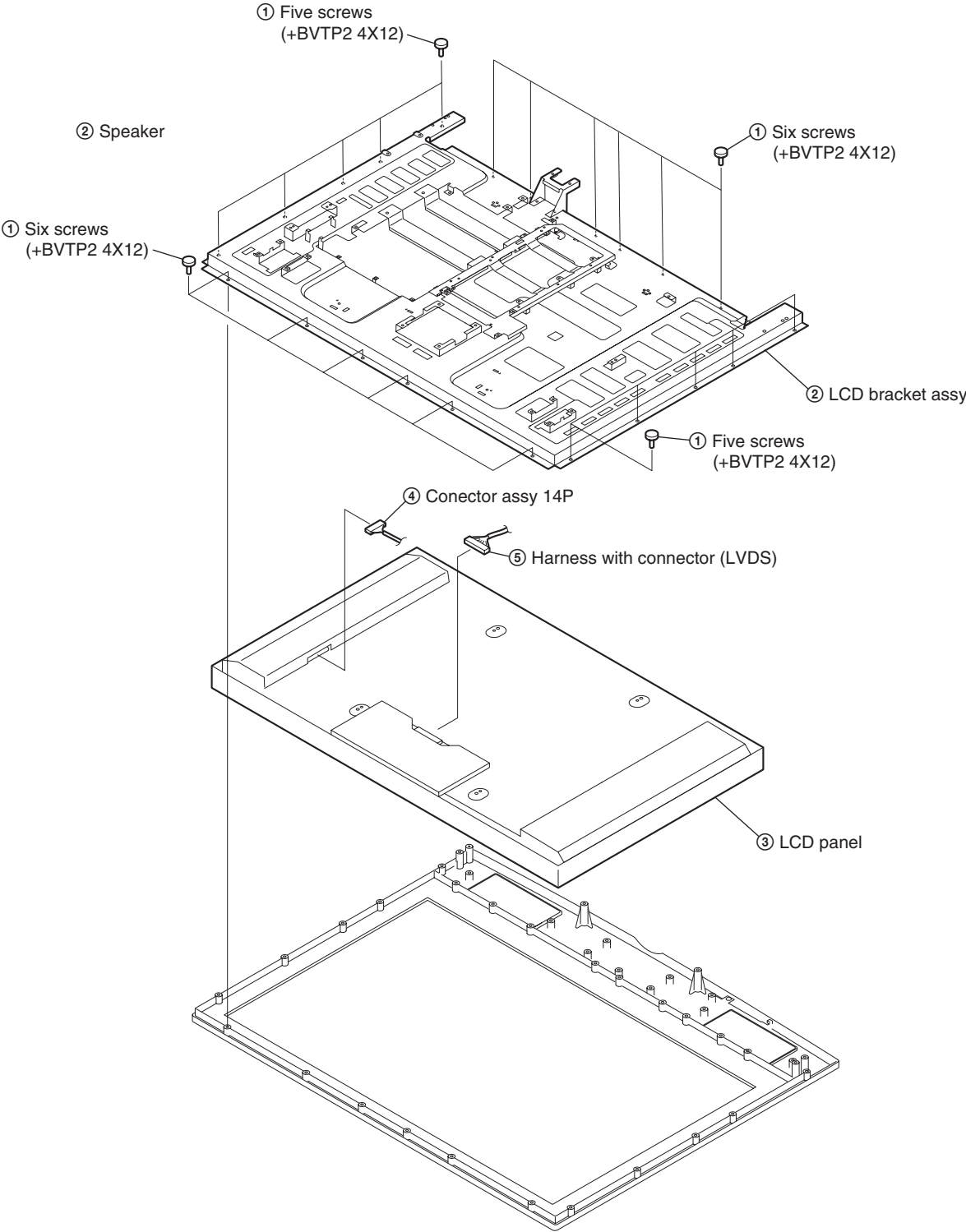
2-2-9. BG BOARD REMOVAL



2-2-10. H3 BOARD AND SPEAKER REMOVAL



2-2-11. LCD PANEL REMOVAL



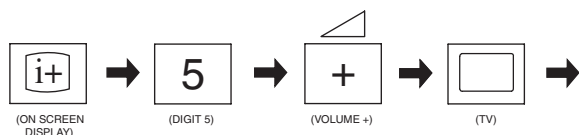
SECTION 3 ADJUSTMENTS

3-1. Signal Adjustment

Service adjustments to this model can be performed using the supplied remote Commander RM-EA002 or RM-ED002.

How to enter into the Service Mode

1. Turn on the power to the TV set and enter into the stand-by mode.
2. Press the following sequence of buttons on the Remote Commander.



'TT—' will appear in the upper right corner of the screen. Other status information will also be displayed.

3. Press 'MENU' on the remote commander to obtain the following menu on the screen.

Trident SVP EX Chroma Decoder Backlight Sound IF Adjust AV Switch Service Menu Error menu
WAX v0.11 Factory data: FFh FFh Serial Number: 4294967295 Working Time: 83:43

4. Move to the corresponding adjustment item using the up or down arrow buttons on the Remote Commander.
5. Press the right arrow button to enter into the required menu item.
6. Press the 'Menu' button on the Remote Commander to quit the Service Mode when all adjustments have been completed.

Note :

- After carrying out the service adjustments, to prevent the customer accessing the 'Service Menu' switch the TV set OFF and then ON.

3-1-1. PAL auto adjustment (CVBS)

1. Select AV1 and input PAL signal. (PAL CVBS: CB 75%Y/75%C from signal generator).
2. Set the TV in Service Mode (See above) and send "TT51" command.

3-1-2. NTSC auto adjustment (CVBS)

1. Select AV1 and input NTSC signal. (NTSC CVBS: CB 75%Y/75%C from signal generator).
2. Set the TV in Service Mode (See above) and send "TT57" command.

Note :

- While Auto adjustment is in process the RED LED is ON, till it finishes.

3-2. White Balance Adjustment

3-2-1. White Balance adjustment (H/L)

1. Select AV1.
2. Change the TV to Custom Mode and set the following registers by sending "TT54".

COLORTONE	NEUTRAL
U_PIC_OFFSET	240
U_BRT_OFFSET	252
U_COLOR_OFFSET	128
COLOR_EMH	0
CONTRAST	MAX
BRIGHTNESS	50
COLOR	0
HUE	0
SHARPNESS	0
BACKLIGHT	MAX
AUTO NR	OFF
BLACK_ST TABLE	0
LIGHT SENSOR	OFF
POWER SAVING	STANDARD

3. Input PAL CVBS 60 IRE Full Field Signal to AV1.
4. Adjust Highlight registers:

NORMAL_PAL_RD (R Drive)

NORMAL_PAL_BD (B Drive)

High light adjustment value (9300K-0MPCD)

	23"	26"	32"	40"	range
x	0.2794	0.2800	0.2789	0.2778	0.8JND
y	0.2909	0.2936	0.2887	0.2920	
Y	137.2	142.8	109.6	125.5	

3-2-2. White Balance adjustment (C/O)

1. Select AV0.
2. Change the TV to Custom Mode and set the following registers by sending "TT54".

COLORTONE	NEUTRAL
U_PIC_OFFSET	240
U_BRT_OFFSET	252
U_COLOR_OFFSET	128
COLOR_EMH	0
CONTRAST	MAX
BRIGHTNESS	50
COLOR	0
HUE	0
SHARPNESS	0
BACKLIGHT	MAX
AUTO NR	OFF
BLACK_ST TABLE	0
LIGHT SENSOR	OFF
POWER SAVING	STANDARD

3. Input PAL CVBS 20 IRE Full Field Signal to AV1.
4. Adjust CutOff registers:

NORMAL_PAL_RC (R cutoff)

NORMAL_PAL_BC (B cutoff)

Low light (Cut Off) adjustment value (9300K-0MPCD)

	23"	26"	32"	40"	range
x	0.2782	0.2763	0.2789	0.2770	0.8JND
y	0.2792	0.2809	0.2887	0.2867	
Y	14.9	13.1	11	12.3	

3-2-3. SECAM White Balance adjustment (H/L)

1. Select AV0.
2. Change the TV to Custom Mode and set the following registers by sending "TT54".

COLORTONE	NEUTRAL
U_PIC_OFFSET	240
U_BRT_OFFSET	252
U_COLOR_OFFSET	128
COLOR_EMH	0
CONTRAST	MAX
BRIGHTNESS	50
COLOR	0
HUE	0
SHARPNESS	0
BACKLIGHT	MAX
AUTO NR	OFF
BLACK_ST TABLE	0
LIGHT SENSOR	OFF
POWER SAVING	STANDARD

3. Input SECAM CVBS 60 IRE Full Field Signal to AV1.
4. Adjust Drive registers:

SECAM_OFFSET_RD (R Drive)

SECAM_OFFSET_BD (B Drive)

High light adjustment value (9300K-0MPCD)

	23"	26"	32"	40"	range
x	0.2794	0.2800	0.2789	0.2778	0.8JND
y	0.2909	0.2936	0.2887	0.2920	
Y	137.2	142.8	109.6	125.5	

3-2-4. SECAM White Balance adjustment (C/O)

1. Select AV0.
2. Change the TV to Custom Mode and set the following registers by sending "TT54".

COLORTONE	NEUTRAL
U_PIC_OFFSET	240
U_BRT_OFFSET	252
U_COLOR_OFFSET	128
COLOR_EMH	0
CONTRAST	MAX
BRIGHTNESS	50
COLOR	0
HUE	0
SHARPNESS	0
BACKLIGHT	MAX
AUTO NR	OFF
BLACK_ST TABLE	0
LIGHT SENSOR	OFF
POWER SAVING	STANDARD

3. Input SECAM CVBS 20 IRE Full Field Signal to AV1.
4. Adjust CutOff registers:

SECAM_OFFSET_RC (R cutoff)

SECAM_OFFSET_BC (B cutoff)

Low light (Cut Off) adjustment value (9300K-0MPCD)

	23"	26"	32"	40"	range
x	0.2782	0.2763	0.2789	0.2770	0.8JND
y	0.2792	0.2809	0.2887	0.2867	
Y	14.9	13.1	11	12.3	

3-3. TEST TEST MODE

Test Test Mode is available in Service Mode, OSD 'TT' appears. The functions described below are available by selecting the two numbers. To release 'Test Test mode', press 00 or switch the TV set into Stand-by mode.


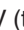
00	'TT' mode off
01	Picture maximum
02	Picture minimum
03	Set Volume to 35%
04	Set Volume to 50%
05	Set Volume to 65%
06	Set Volume to 80%
07	Ageing mode
08	Shipping Condition
16	Picture level 50%
19	Factory Mode toggle (on/off)
24	U Destination
25	AEP Destination
27	CBA mode toggle (ON/OFF)
28	GA Destination
29	CHINA Destination
31	ECS mode toggle (ON/OFF)
32	Set BCN channels preset
33	FILMODE toggle (ON/OFF)
34	Set INY channels preset
41	Re-initialise NVM
43	Select Dual Sound A
44	Select Dual Sound B
45	Select Dual Sound Mono
46	Select Dual Sound Stereo
48	Set NVM as non-virgin
49	Set NVM as virgin
51	PAL Auto adjustment
52	RGB Auto adjustment
53	SECAM Auto adjustment
54	WB Init conditions
55	Watchdog toggle
56	Reset all channel attenuations
57	NTSC Auto adjustment
62	Toggle Digital mode flag
63	AM from baseband (AFRIC)
64	set 40" settings
67	MSP Auto Carrier Mute function enable/disable
71	Set 19" settings
72	Set 23" settings
73	Set 26" settings
74	Set 32" settings
75	Balance to center position
76	Volume maximum
77	Volume minimum
78	Balance full left
79	Balance full right
81	Digital BER display
82	Digital Service menu
83	Digital colour bar output from DENC
84	TS CI path through
85	Digital tuner power down
86	Switch between two digital SW banks
87	Local keys test
88	Digital shipping conditions
89	LED test
93	I2S / analogue audio used for Digital sound
96	Digital Debug output: Enable / Disable
97	Digital 656 output Enable / Disable
98	Digital Auto Reset function Enable / Disable
99	Display Error and Working Time menu

SECTION 4 TROUBLESHOOTING

Check whether the  (standby) indicator is flashing in red.

When it is flashing



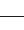



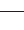

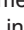
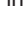

The self-diagnosis function is activated.

- 1 Measure how long the  (standby) indicator flashes and stops flashing.
For example, the indicator flashes for two seconds, stops flashing for one second, and flashes for two seconds.
- 2 Press  on the TV (top side) to switch it off, disconnect the AC power cord, and inform your dealer or Sony service center of how the indicator flashes (duration and interval).

When it is not flashing

- 1 Check the items in the tables, below.
- 2 If the problem still persists, have your TV serviced by qualified service personnel.

Picture

Problem	Cause/Remedy
No picture (screen is dark) and no sound	<ul style="list-style-type: none"> • Check the power cord, antenna, and VCR connection. • The TV is not turned on. Press  on the TV (top side). • If the  (standby) indicator lights up in red, press .
No picture	<ul style="list-style-type: none"> • The picture off feature is activated. (The  (Picture Off/Sleep Timer) indicator lights up in green.) Press any button except for , , , , ,  to cancel the picture off feature.
No picture or no menu information from equipment connected to the video input jack	<ul style="list-style-type: none"> • Check that the optional equipment is on and press  repeatedly until the correct input symbol is displayed on the screen. • Check the connection between the optional equipment and the TV.
Distorted picture	<ul style="list-style-type: none"> • Check if any connected optional equipment is installed in front of the TV or beside the TV. When installing optional equipment, leave some space between the optional equipment and the TV. • When changing programs or selecting Text, turn off any equipment connected to the video input jack on the rear of the TV. • Broadcast signals are too strong. Turn off or disconnect the booster if it is in use.
Double images or ghosting	<ul style="list-style-type: none"> • Check antenna/cable connections. • Check the antenna location and direction. Contact a Sony dealer for advice. • Broadcast signals are reflected by nearby mountains or building. Use the fine tuning ("Fine") function (page 35). Otherwise, use a highly direction antenna. • Use of a booster is inappropriate. Turn off or disconnect the booster if it is in use.
Snowy picture and noisy sound	<ul style="list-style-type: none"> • The antenna connection is loose or the antenna cable is damaged. Check the cable and connection on the TV, VCR, and on the wall (page 15). • Channel presetting is inappropriate or incomplete. Perform "Manual Program" in the "Set Up" menu to preset the channel again (page 34). • The antenna type is inappropriate. Check the antenna type (VHF/UHF). Contact a Sony dealer for advice. • The antenna direction needs adjustment. Adjust the antenna direction. Contact a Sony dealer for advice. • Signal transmission is low. Try using a booster.

Problem	Cause/Remedy
Only snow and noise appear on the screen	<ul style="list-style-type: none"> • Check if the antenna is broken or bent. • Check if the antenna has reached the end of its serviceable life (three to five years in normal use, one to two years at the seaside).
Picture (dotted lines or stripes) noise	<ul style="list-style-type: none"> • Keep the TV away from electrical noise sources such as cars, motorcycles, or hair-dryers, etc. • Make sure that the antenna is connected using the antenna cable (supplied). • Keep the antenna cable away from other connecting cables. • Do not use a 300-ohm twin lead cable as interference may occur. • Adjust the antenna direction for the minimum interference. Contact a Sony dealer for advice.
Picture noise when viewing a TV channel	<ul style="list-style-type: none"> • Select "Manual Program" in the "Set Up" menu and adjust "Fine" to obtain better picture reception (page 35). • Select "NR" (Noise Reduction) in the "Picture" menu to reduce the noise in the picture (page 25).
Stripe noise during playback/recording of a VCR	<ul style="list-style-type: none"> • Video head interference. Keep your VCR away from the TV. • Leave a space of 30 cm between your VCR and the TV to avoid noise. • Avoid installing your VCR in front of the TV or beside the TV.
Good picture, but noisy sound	<ul style="list-style-type: none"> • The TV system setting is inappropriate. If the sound of all the channels are noisy, perform "Auto Program" in the "Set Up" menu to preset the channel again (page 32). If the sound of some channels is noisy, select the channel, then perform "Manual Program" in the "Set Up" menu, and select the appropriate TV system ("TV System") (page 34).
Good picture, but no sound	<ul style="list-style-type: none"> • The volume level is too low. Press $\triangleleft +$ to increase the volume level. • The sound is muted. Press MUTE, or $\triangleleft +$ to cancel the muting.
Some tiny black points and/or bright points on the screen	<ul style="list-style-type: none"> • The picture of a display unit is composed of pixels. Tiny black points and/or bright points (pixels) on the screen do not indicate a malfunction.
No color on programs	<ul style="list-style-type: none"> • Select "Reset" in the "Picture" menu to return to the factory settings (page 25).
No color	<ul style="list-style-type: none"> • The color intensity setting is too low. Select "Color" in the "Picture" menu to adjust the color intensity (page 24). • The antenna direction needs adjustment. Adjust the antenna direction. Contact a Sony dealer for advice.
Lines moving across the TV scree	<ul style="list-style-type: none"> • There is interference from external sources, e.g., heavy machineries, broadcast station nearby. Use the fine tuning ("Fine") function (page 35).
No color or irregular color when viewing a signal from the Y, Pb/Cb, Pr/Cr jacks of --- / --- 1, 2	<ul style="list-style-type: none"> • Check the connection of the Y, Pb/Cb, Pr/Cr jacks of ---/---1, 2. • Make sure that the Y, Pb/Cb, Pr/Cr jacks of ---/---1, 2 are firmly seated in their respective jacks.

Sound

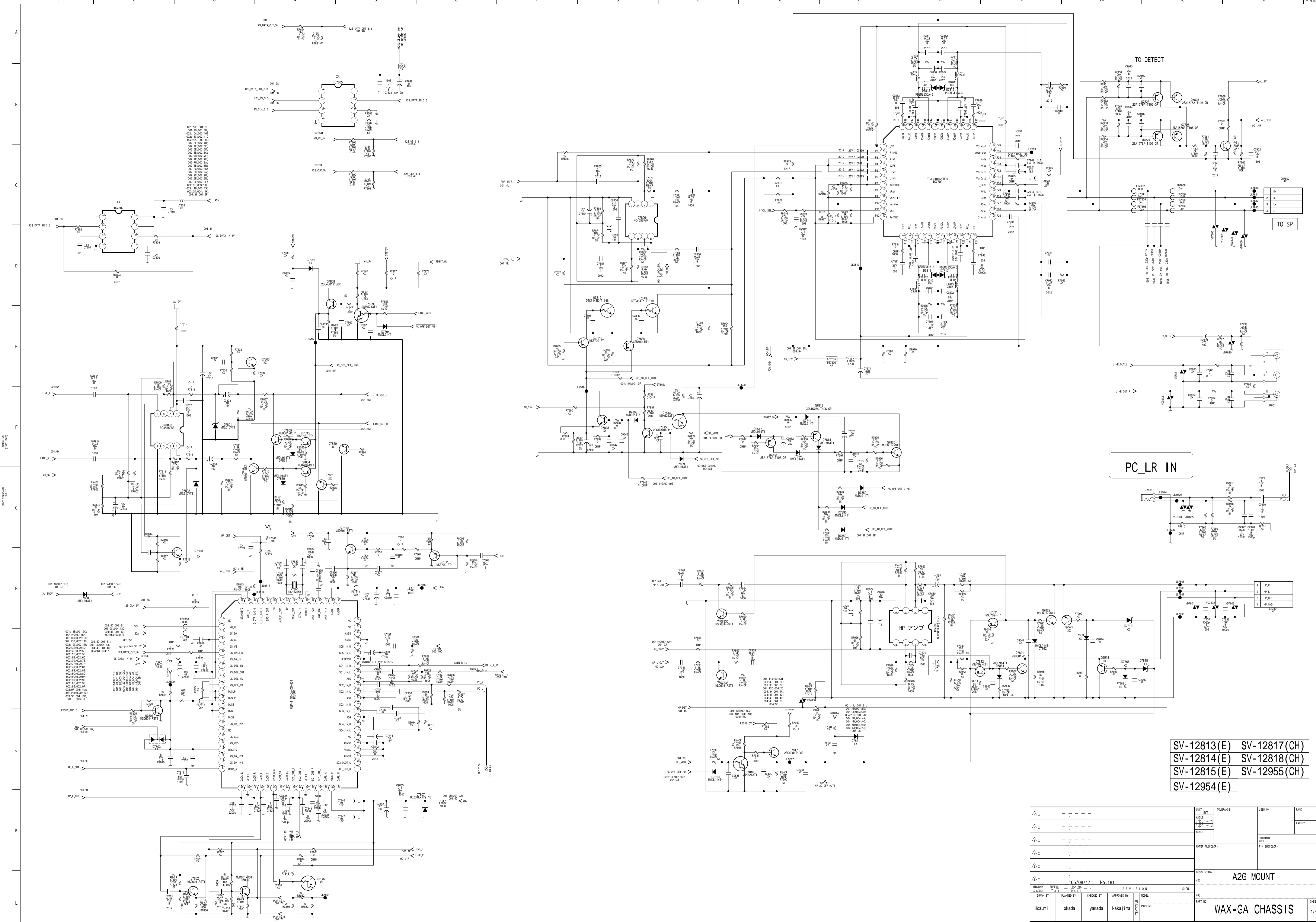
Problem	Cause/Remedy
No sound, but good picture	<ul style="list-style-type: none">• Press \triangleleft +/- or Mute (Mute).• Check that "TV Speakers" is set to "On" in the "Features" menu (page 29).
Noisy sound	<ul style="list-style-type: none">• See the "Picture (dotted lines or stripes) noise" cause/remedy on page 41.
"High" is selected in "Audio Filter" when you use "Mono".	<ul style="list-style-type: none">• Set to "Low".
Stereo broadcast sound switches on and off, or is distorted; The sound switches between stereo and monaural frequently	<ul style="list-style-type: none">• The antenna connection is loose or the antenna cable is damaged. Check the cable and connection on the TV, VCR, and on the wall (page 15).• Adjust the antenna direction for the minimum interference. Contact a Sony dealer for advice.• Signal transmission is low. Try using a booster. Otherwise, use the fine tuning ("Fine") function (page 35).
No sound from the computer	<ul style="list-style-type: none">• Check the connection of the audio cable (page 36).

General

Problem	Cause/Remedy
The TV turns off automatically (the TV enters standby mode)	<ul style="list-style-type: none">• Check if the Sleep function is activated (page 31).• "Power Saving" is set to "On" when a PC is connected.
Some input sources cannot be selected	<ul style="list-style-type: none">• Select "AV Preset" in the "Set Up" menu and cancel "Skip" of the input source (page 34).
The remote does not function	<ul style="list-style-type: none">• Replace the batteries.
The wide screen mode changes spontaneously when "Auto Wide" is "On"	<ul style="list-style-type: none">• During a transition between two programs, the TV detects the optimum wide screen mode. During this period, an irregular wide screen mode may appear.• The wide mode is switched automatically according to the revised signal with a Wide ID signal.• The Auto Wide feature stops working temporarily when you press WIDE, and resumes after a while. To fix in the manually selected wide screen mode, set "Auto Wide" to "Off" in the "Screen" menu (page 28).
Teletext display is incomplete or garbled	<ul style="list-style-type: none">• Your area may not be able to receive Teletext. Teletext is displayed only in the area that is covered by Teletext services.• The antenna connection is loose or the antenna cable is damaged. Check the cable and connection on the TV, VCR, and on the wall (page 15).• The antenna direction needs adjustment. Adjust the antenna direction. Contact a Sony dealer for advice.• Signal transmission is too low. Try using a booster.• Using the fine tuning ("Fine") function may improve the picture (page 35).
Cannot play shooting games	<ul style="list-style-type: none">• Some shooting games which involve pointing a light beam at the TV screen with an electronic gun or rifle cannot be used with your TV. For details, see the instruction manual supplied with the video game software.
The TV cabinet creaks	<ul style="list-style-type: none">• Changes in room temperature sometimes make the TV cabinet expand or contract, causing a noise. This does not indicate a malfunction.
Static discharge is felt when touching the TV cabinet	<ul style="list-style-type: none">• This is the same static discharge that is felt when touching metal door handles or car doors especially when the air is dry, for example in winter. This does not indicate a malfunction.

SECTION 5 DIAGRAMS

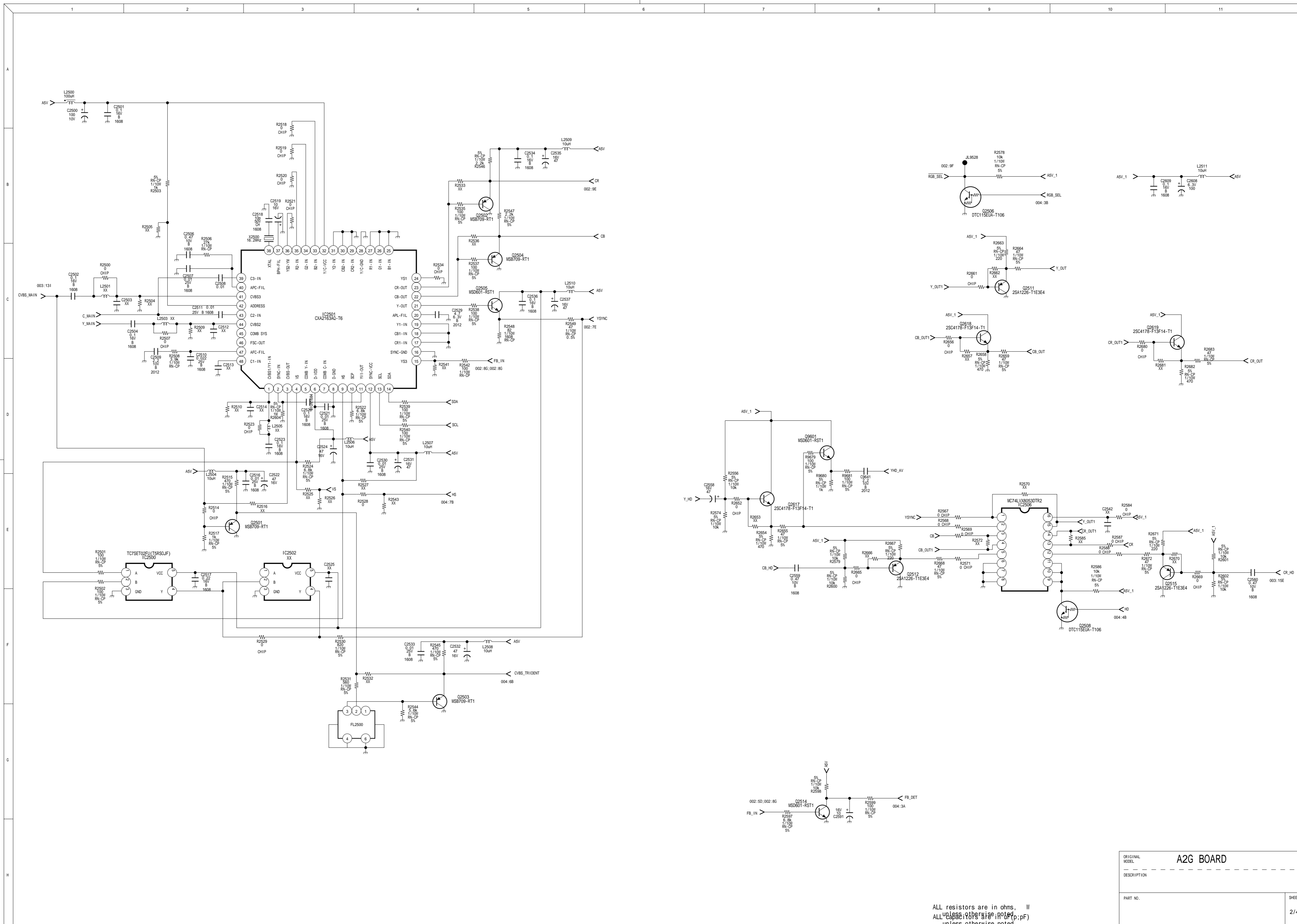
- **Schematic diagrams provided by the design section are included in this manual.**
- **Block diagrams, frame diagrams, and board layouts will be included by October 7.**



SV-12813(E)	SV-12817(CH)
SV-12814(E)	SV-12818(CH)
SV-12815(E)	SV-12955(CH)
SV-12954(E)	

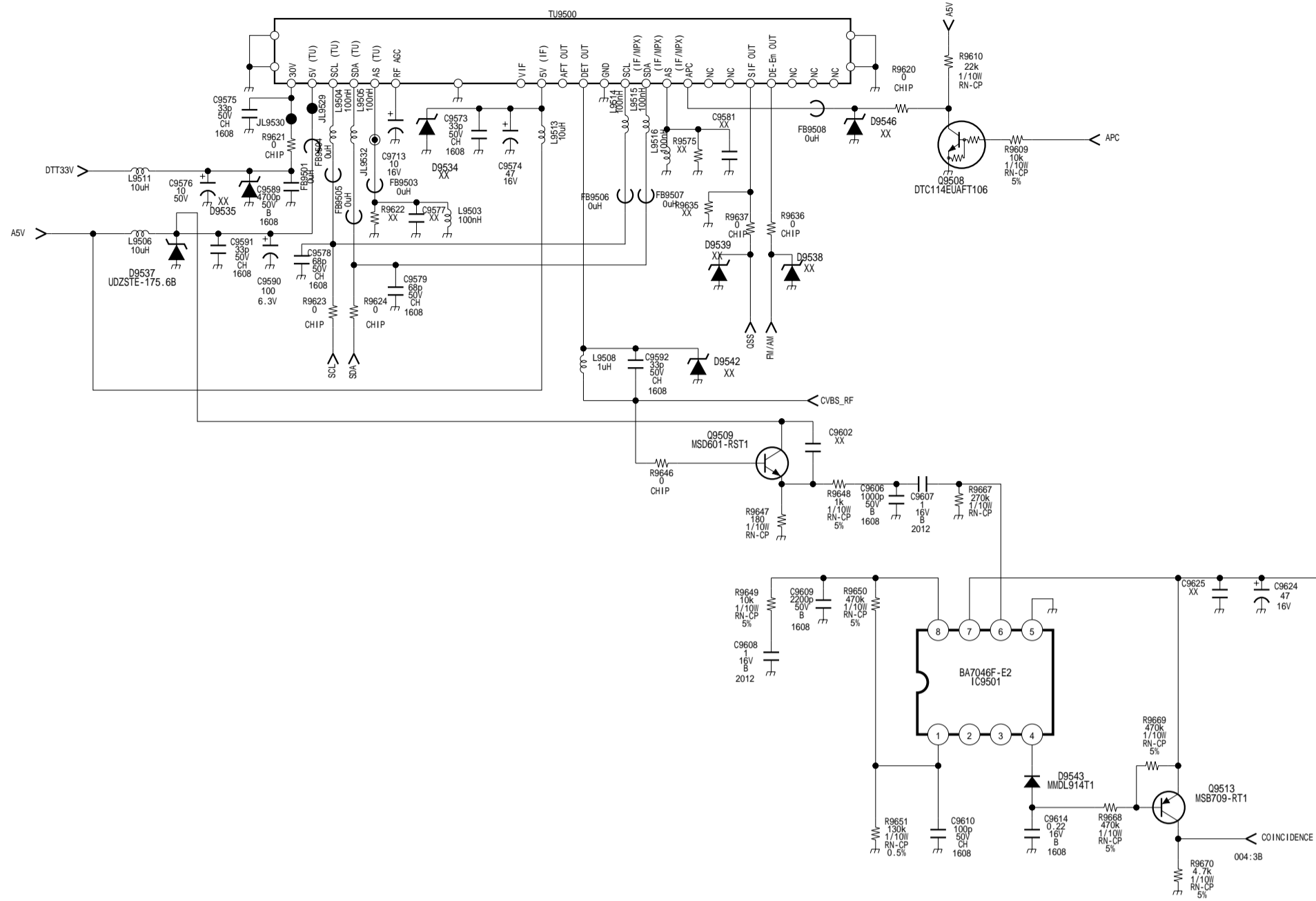
NO.	DATE	BY	REVISION	DESCRIPTION
1	05/08/17	okada	No. 181	A2G MOUNT

DESIGNED BY	PLANNED BY	CHECKED BY	APPROVED BY	MODEL
Hozumi	okada	yanada	Nakajima	WAX-GA CHASSIS
PART NO.				1/4

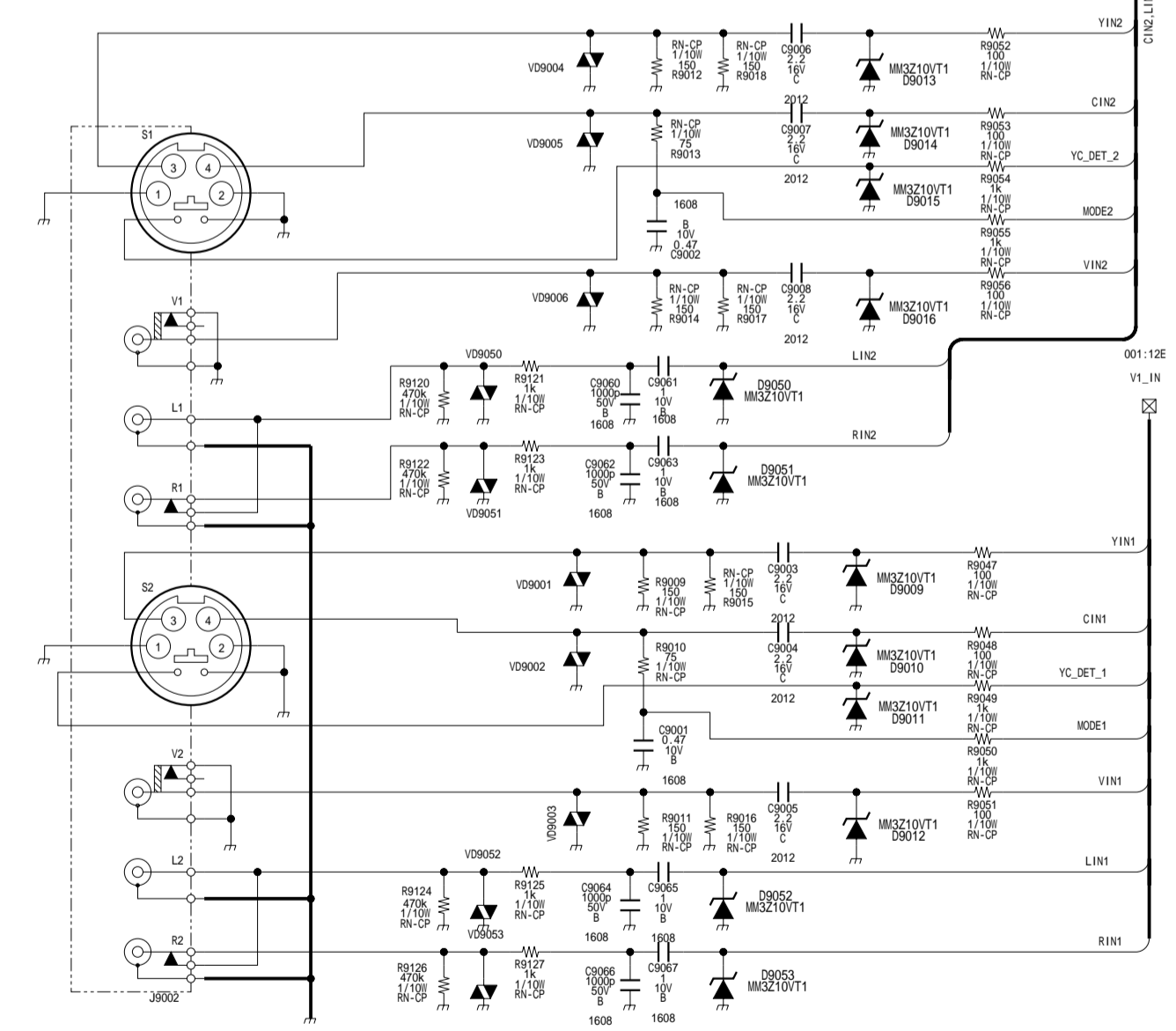


ALL resistors are in ohms, W
 ALL capacitors are in p.p.f
 unless otherwise noted.

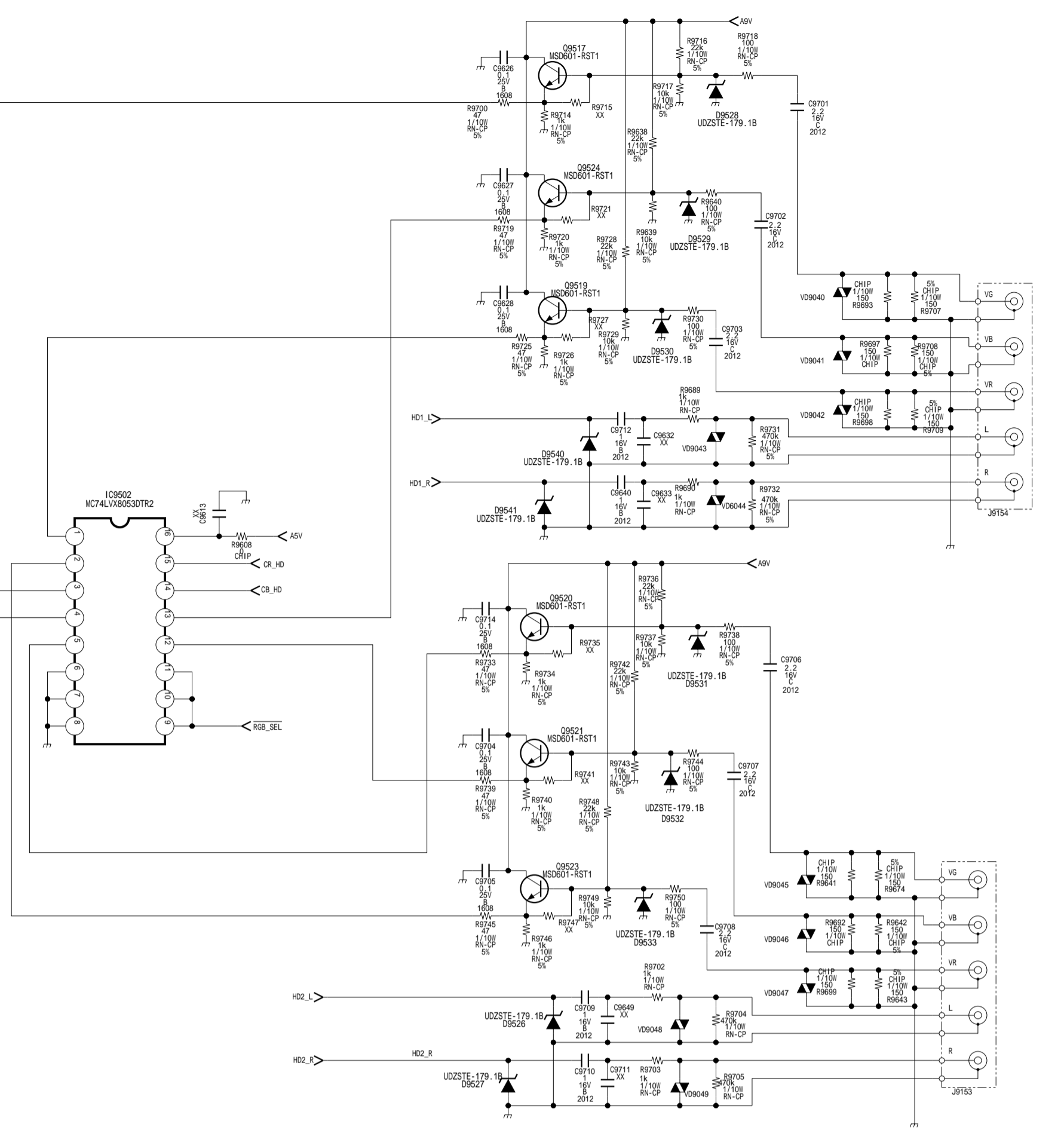
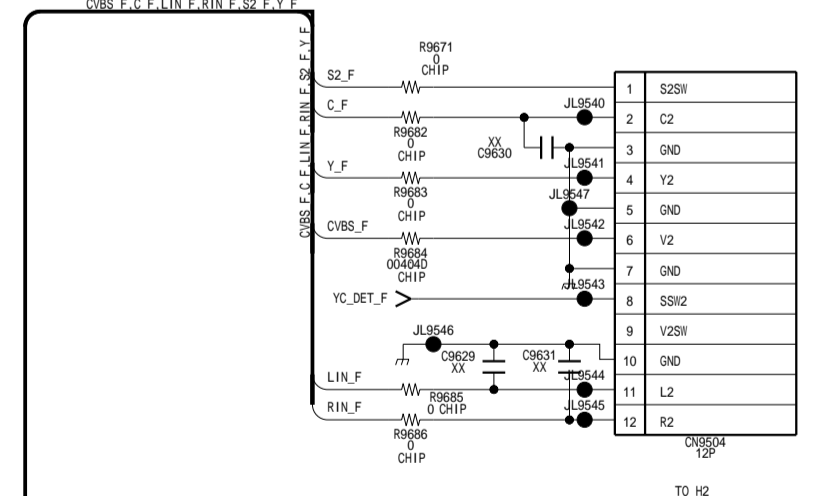
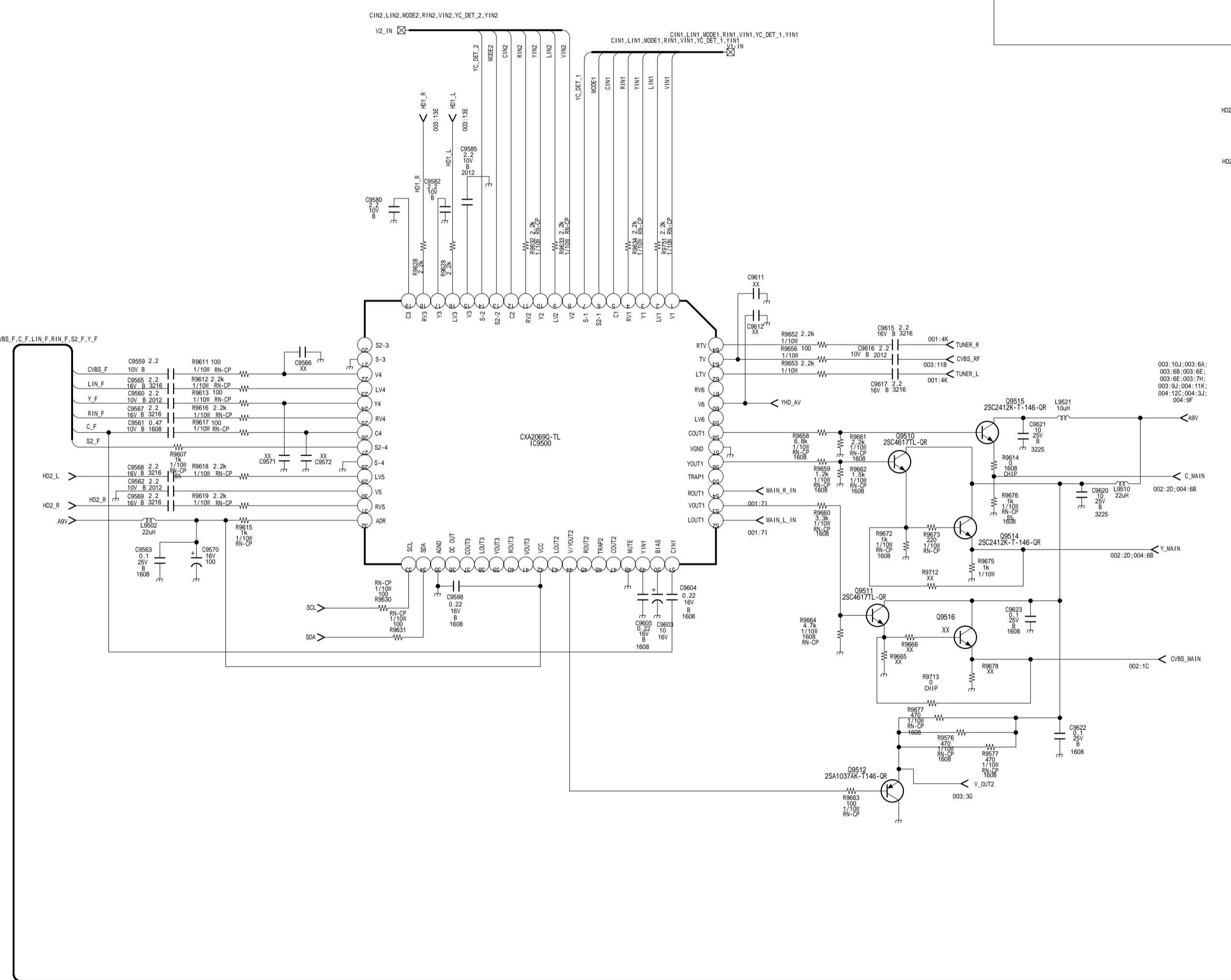
ORIGINAL MODEL	A2G BOARD	
DESCRIPTION		
PART NO.		SHEET
		2/4



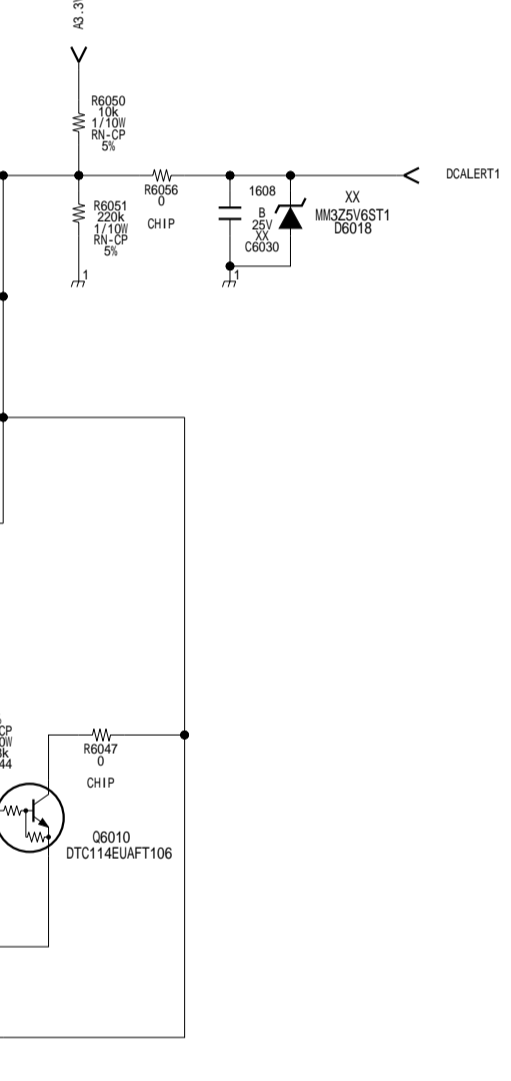
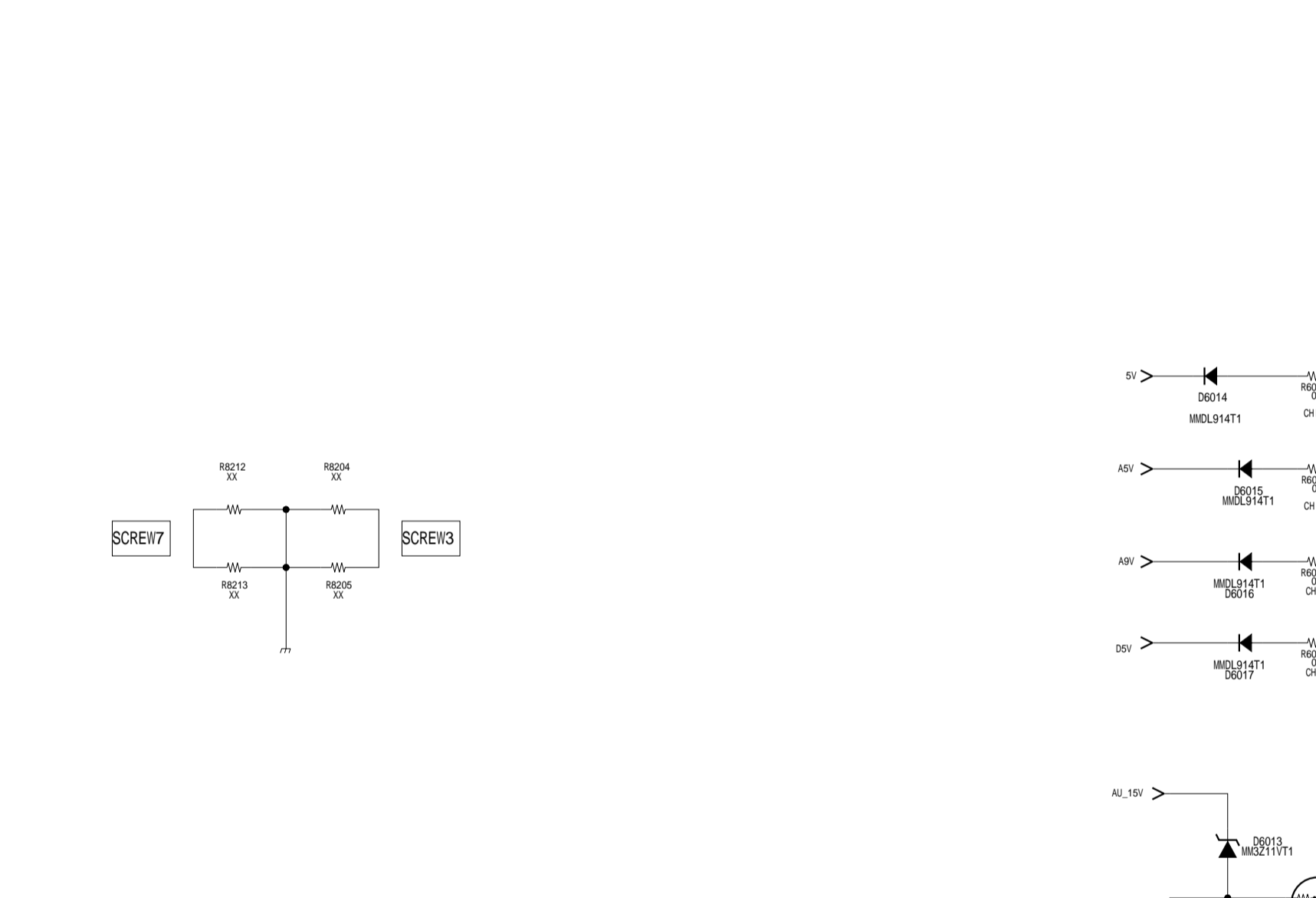
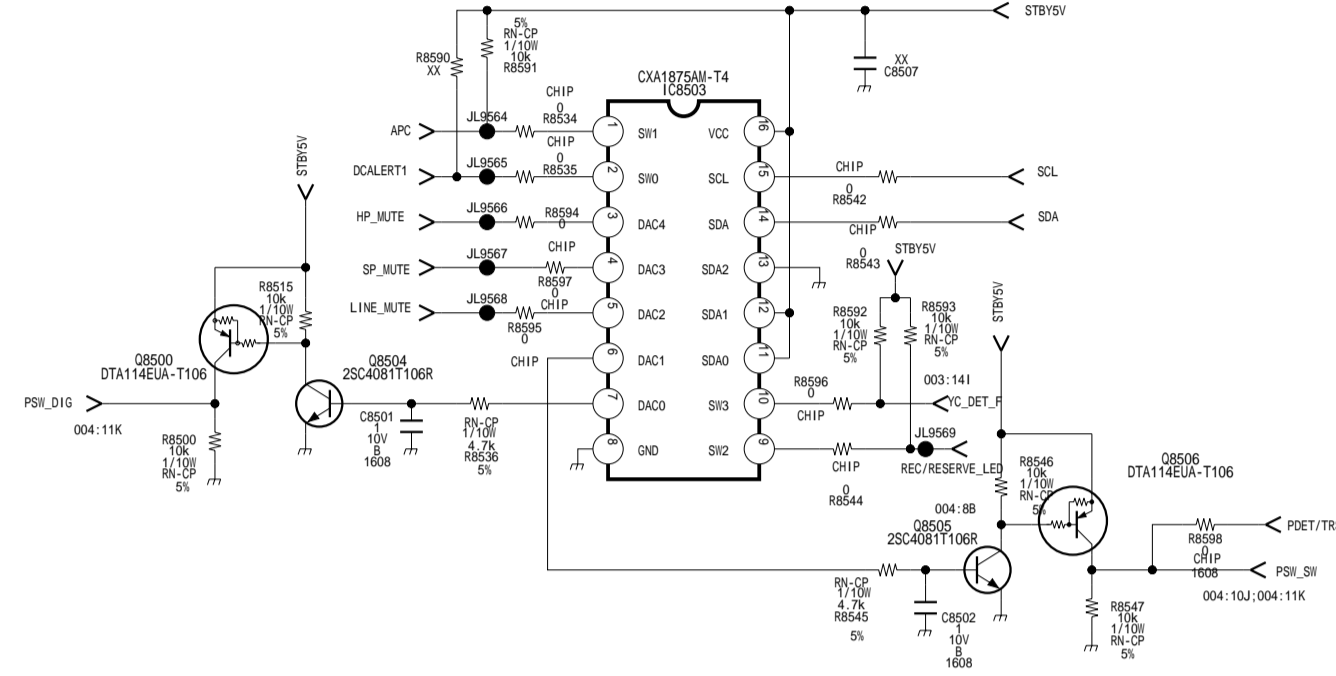
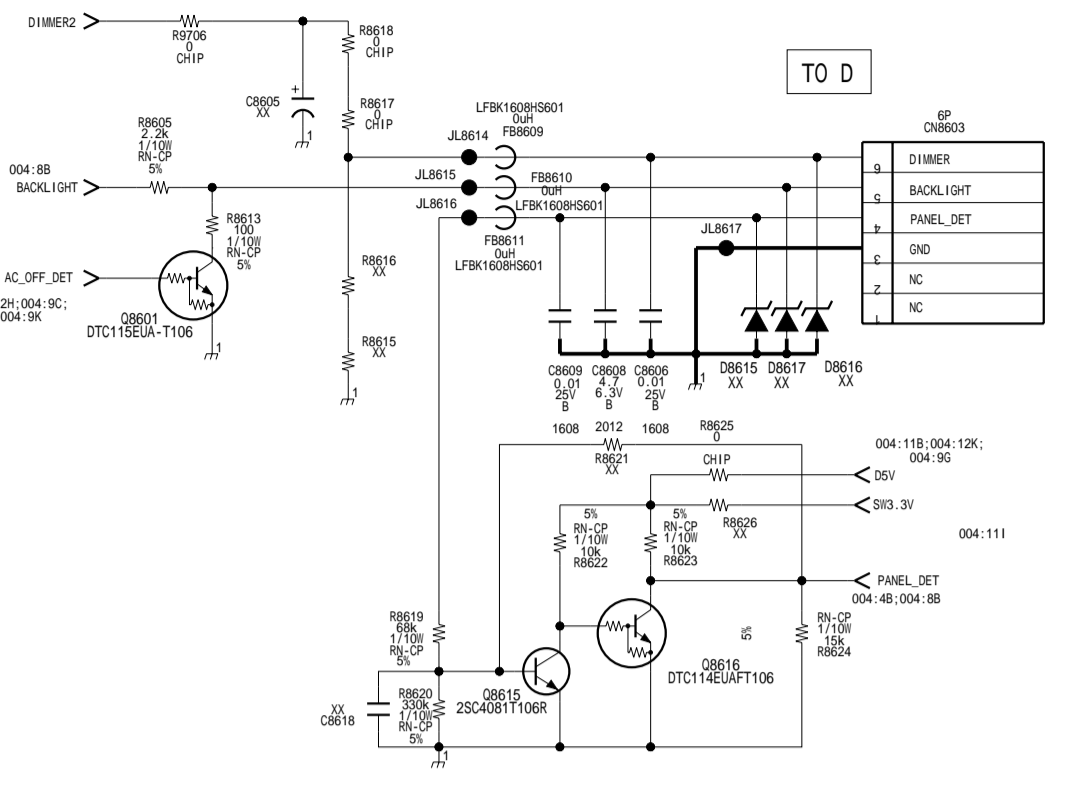
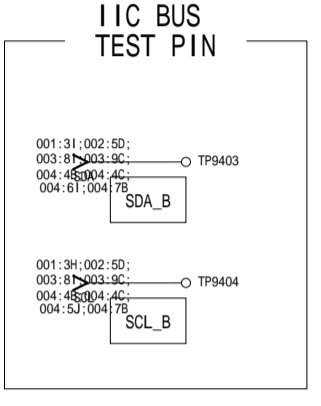
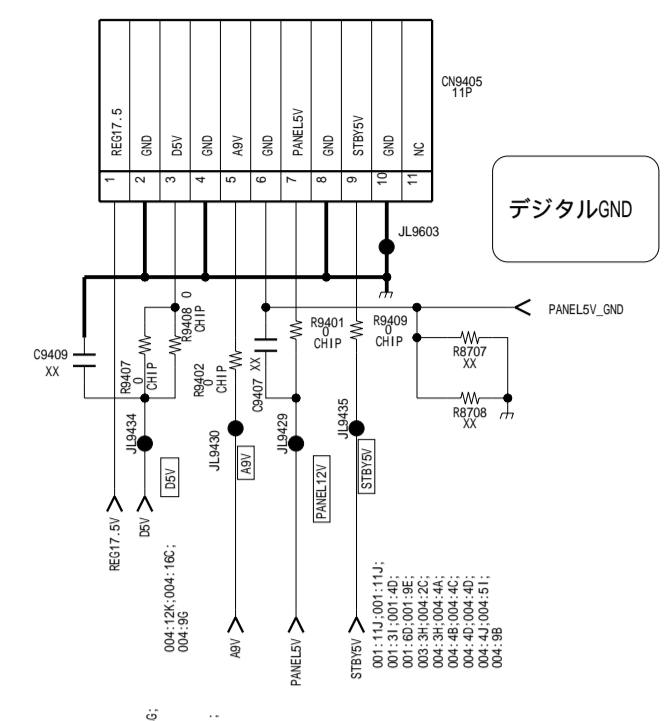
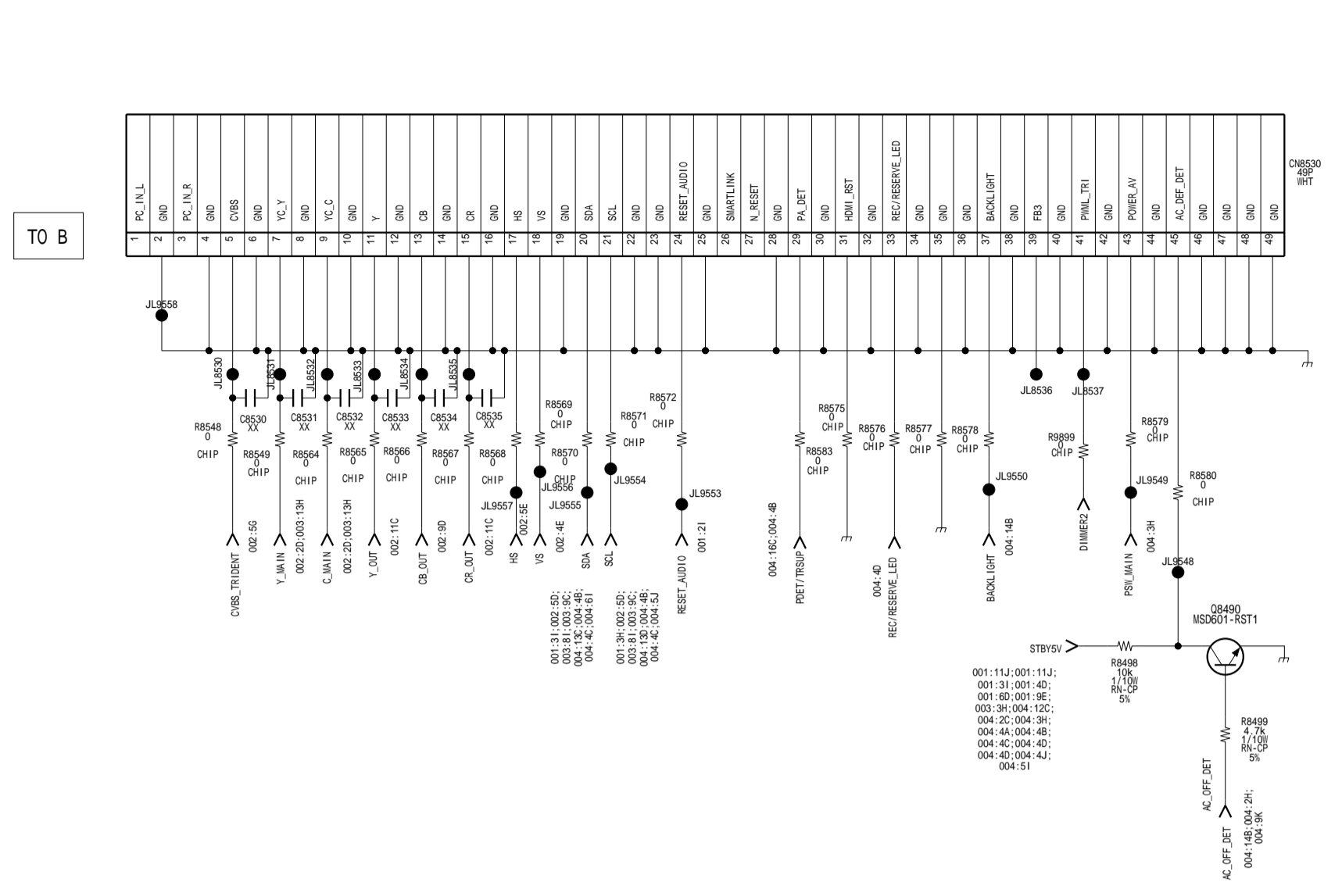
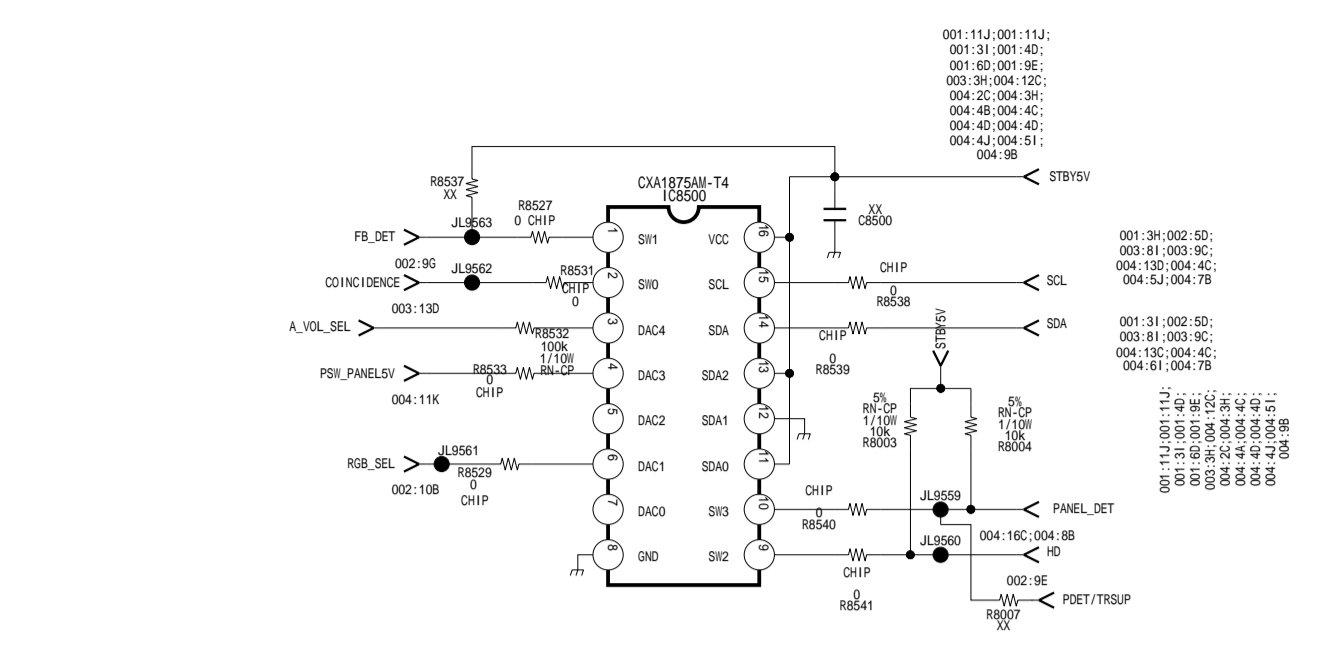
ビデオ入力2



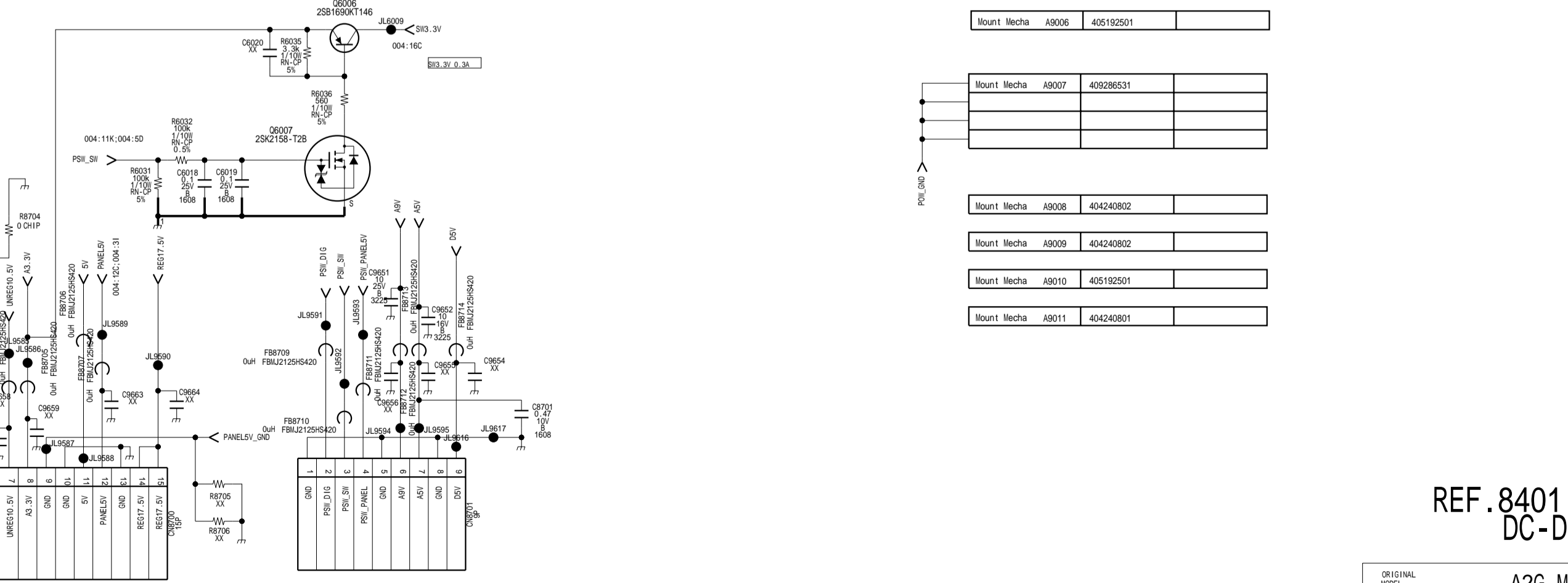
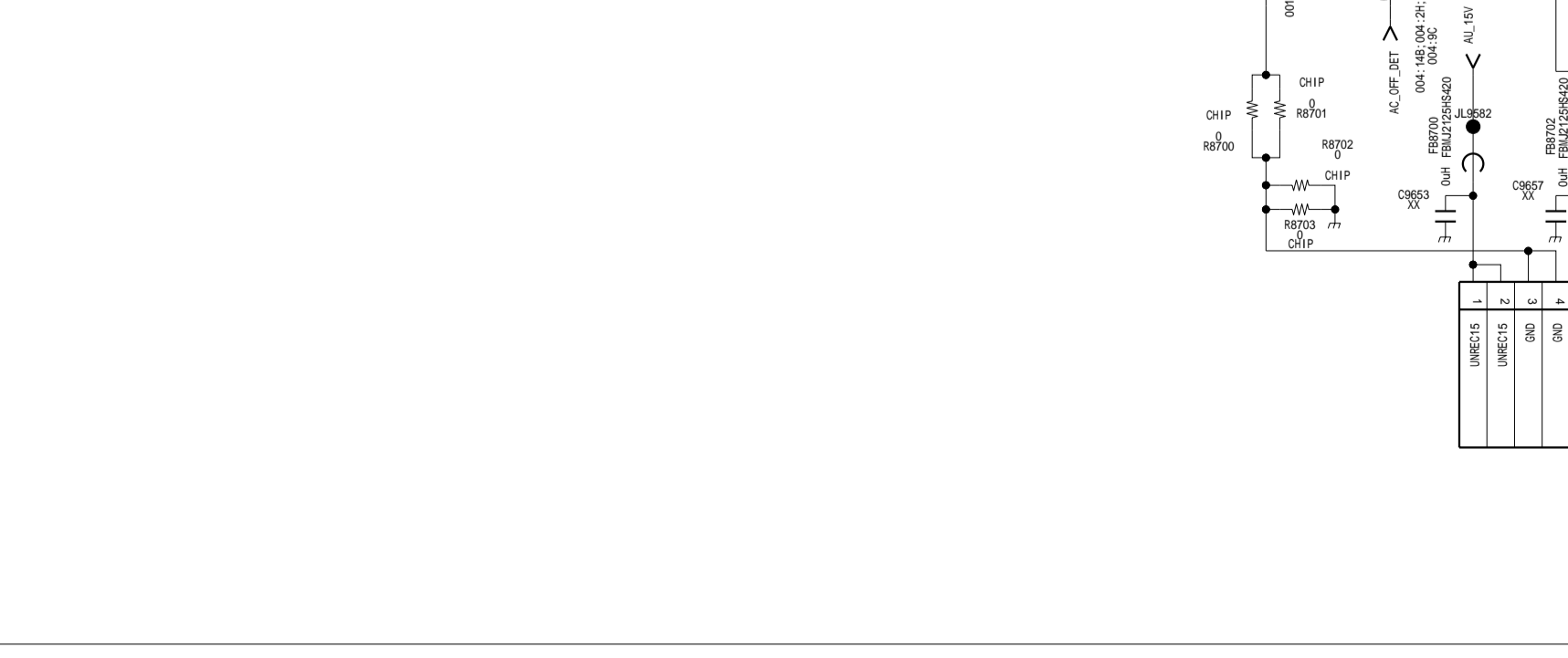
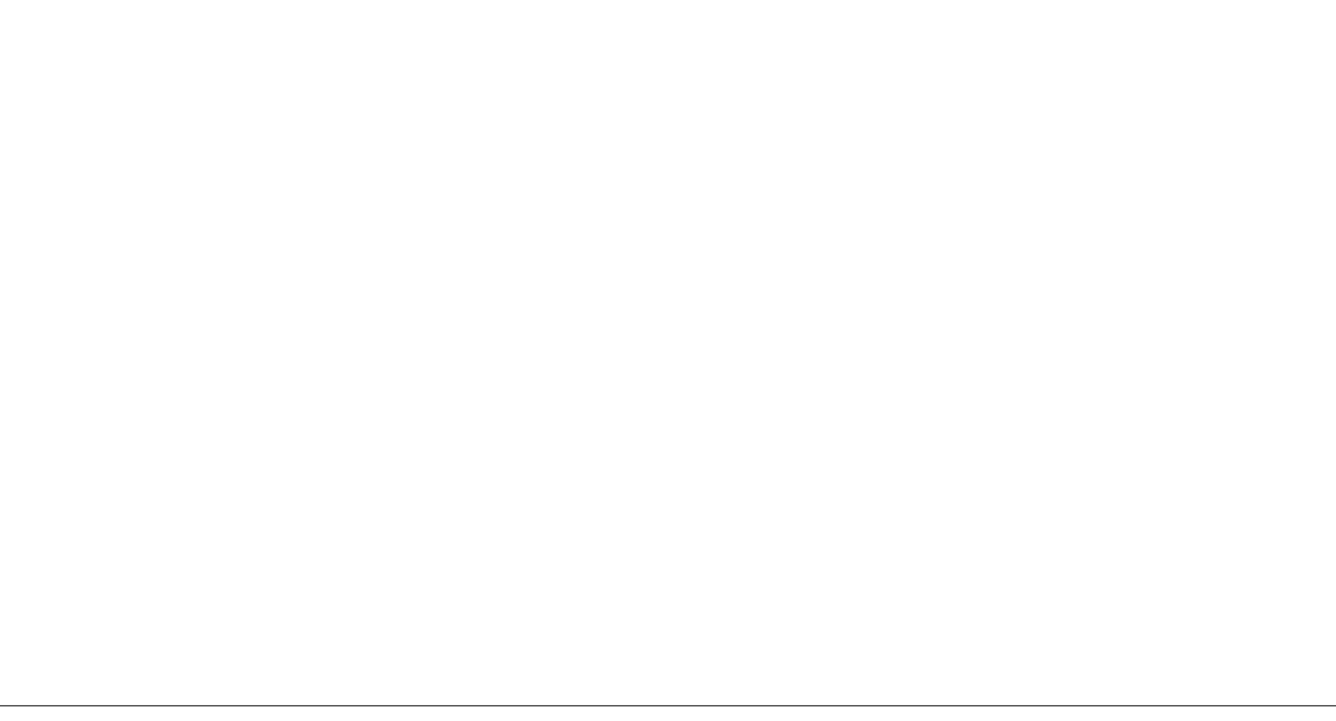
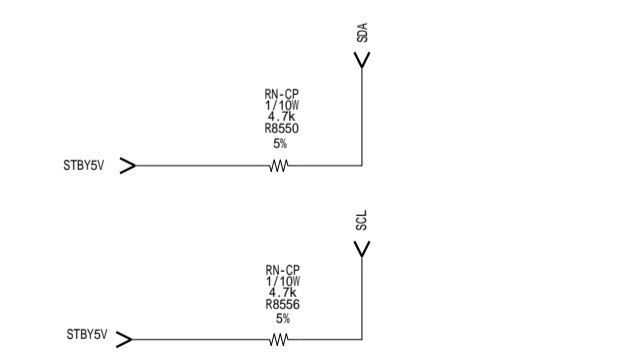
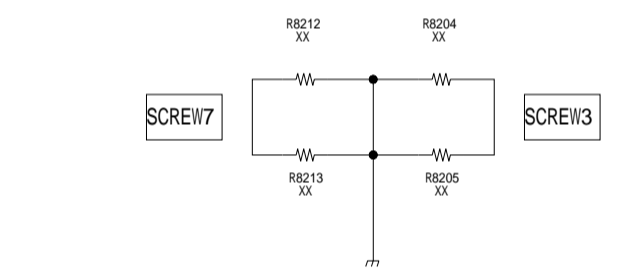
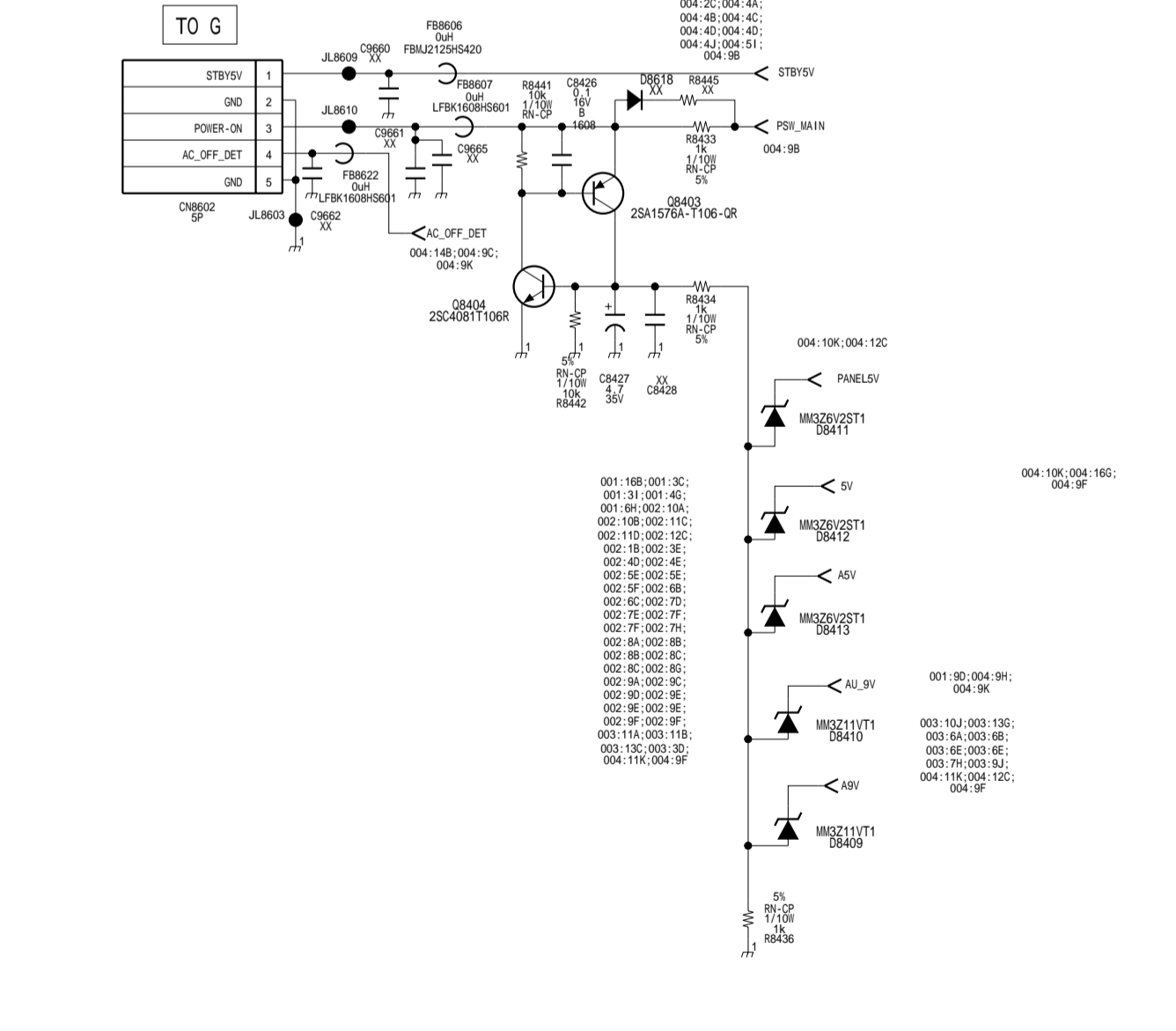
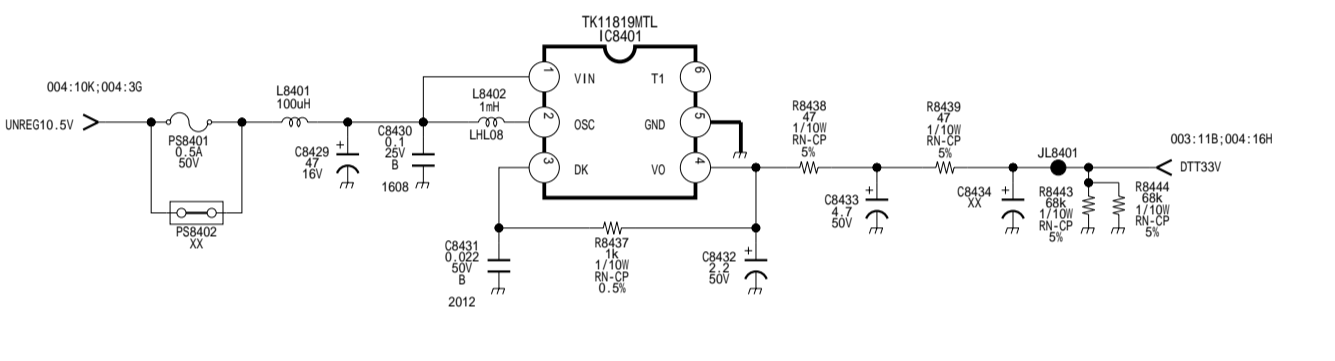
ビデオ入力1



ALL resistors are in ohms, k or M unless otherwise noted.
 ALL capacitors are in pF, nF or uF unless otherwise noted.



- DCALERT1
- A3.3V
 - 5V
 - A3.3V
 - A5V
 - A9V
 - D5V
 - AU_15V
 - AU_9V



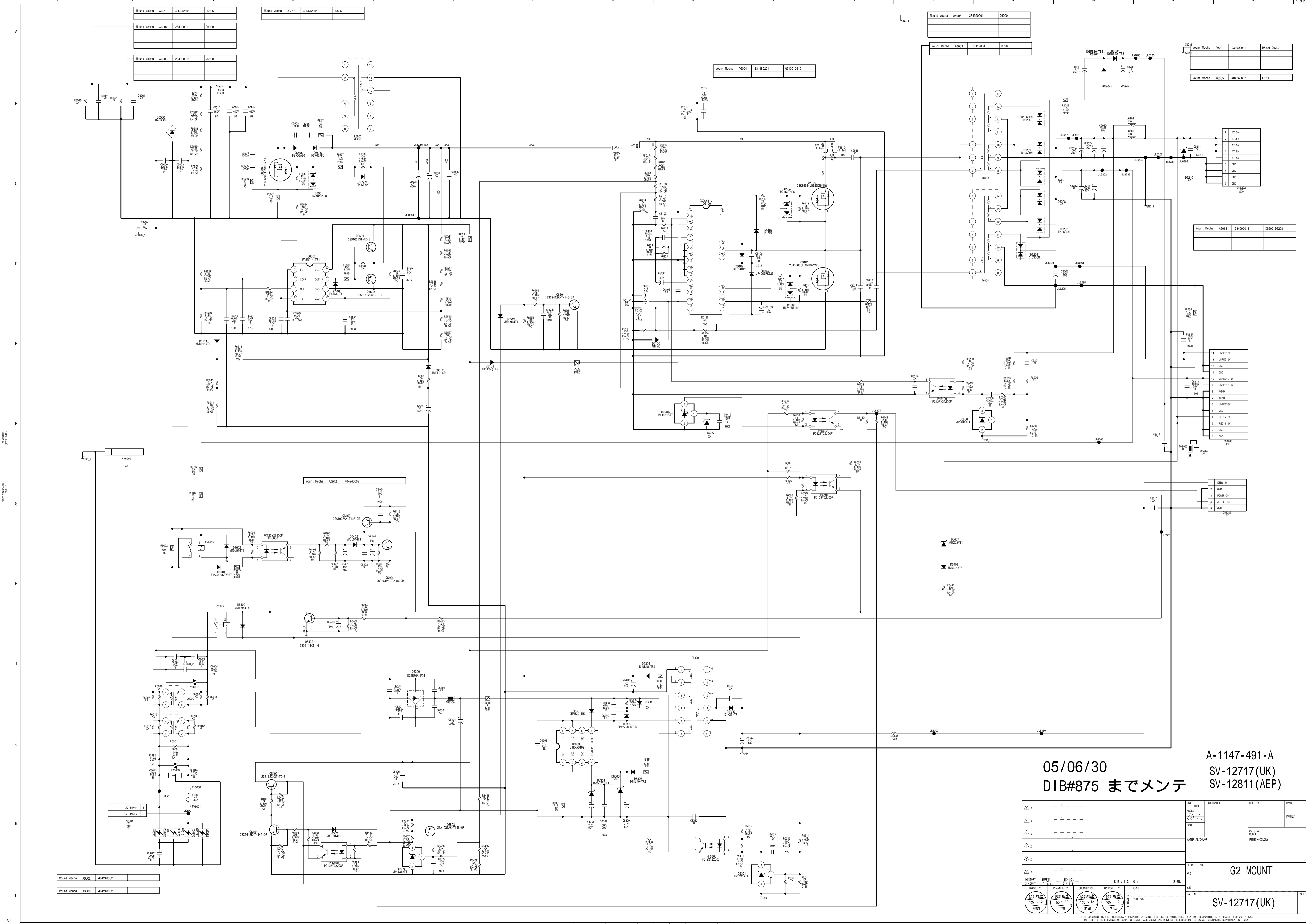
コーティングリードピン

Mount Wechs	8901	404249802
Mount Wechs	8902	404249802
Mount Wechs	8903	404249802
Mount Wechs	8904	404249802
Mount Wechs	8905	404249802
Mount Wechs	8906	405192501
Mount Wechs	8907	409286531
Mount Wechs	8908	404249802
Mount Wechs	8909	404249802
Mount Wechs	8910	405192501
Mount Wechs	8911	404249801

REF.8401 8699
DC-DC

ORIGINAL MODEL	A2G MOUNT
DESCRIPTION	
PART NO.	WAX-GA CHASSIS
SHEET	4/4

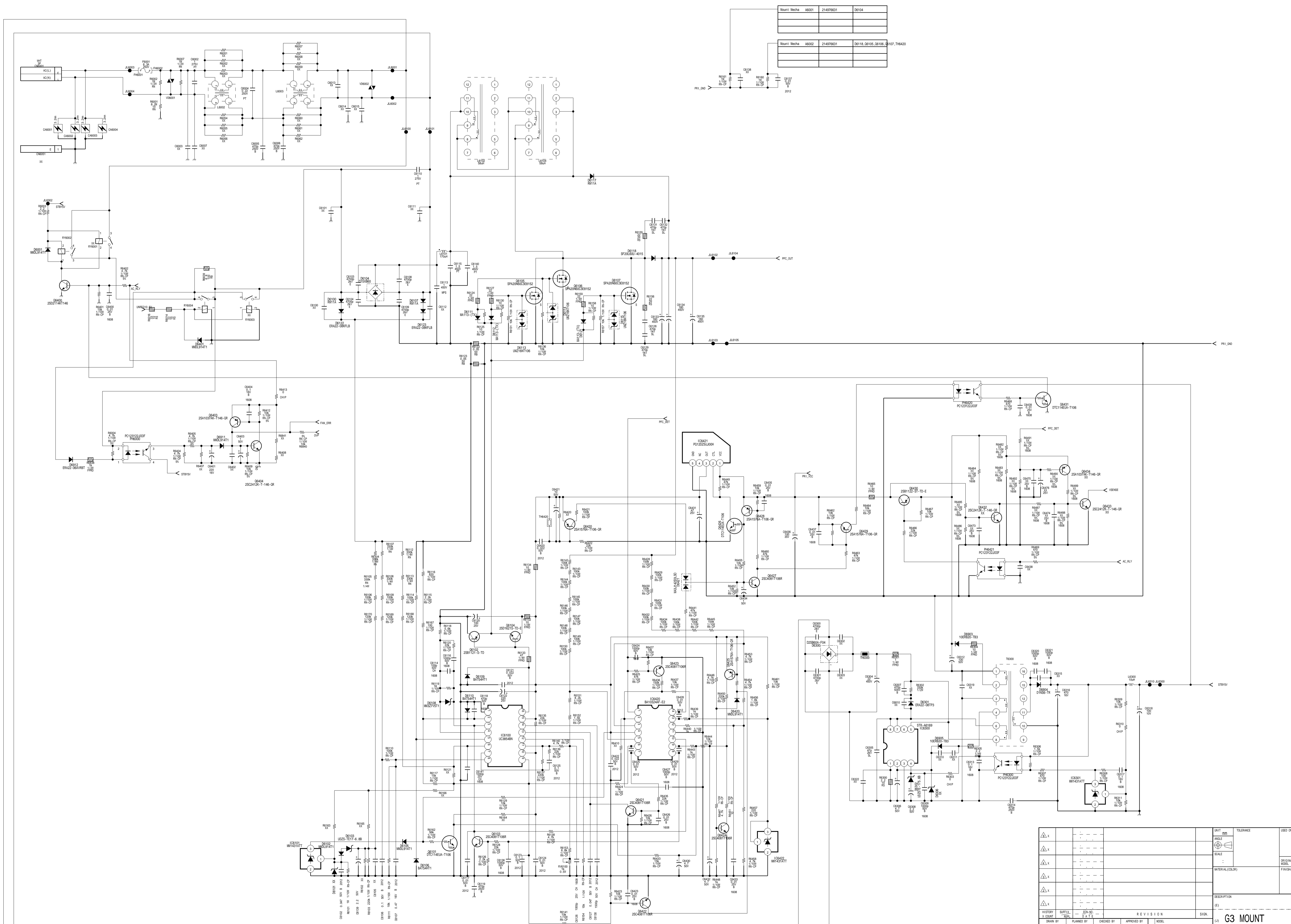
ALL resistors are in ohms, Ω unless otherwise noted.
ALL capacitors are in uF(p,pF) unless otherwise noted.



05/06/30
 DIB#875 までメンテ

A-1147-491-A
 SV-12717(UK)
 SV-12811(AEP)

DATE	REV	TOLERANCE	USED ON	BANK
SCALE				FAMILY
MATERIAL (COLOR)				ORIGINAL MODEL
				FIM#(COLOR)
DESCRIPTION				
(E) G2 MOUNT				
PART NO.				
SV-12717(UK)				
SHEET				



Mount Mecha	A6001	214979631	D6104
Mount Mecha	A6002	214979631	D6116, D6105, D6106, D6107, T6400

1 2 3 4 5 6 7 8 9 10 11 12 13 14 15 16

A B C D E F G H I J K L

SPM1 (TYPE: WAX)

DATE: 2006.7.22

DESIGNED BY: 安田

APPROVED BY: 橋元

REVISION

REV. NO. 1

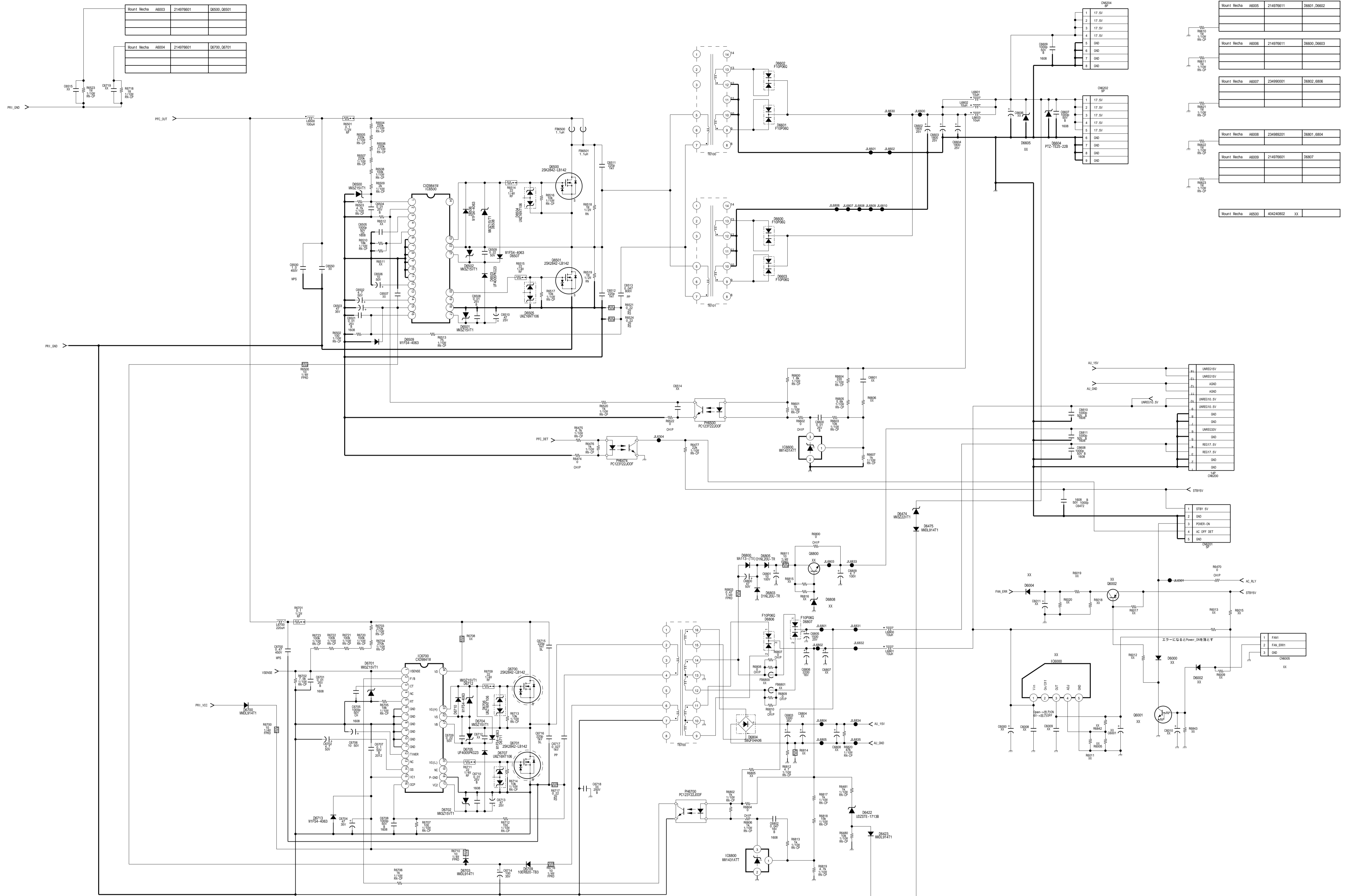
DATE: 2006.7.22

DESIGNED BY: 安田

APPROVED BY: 橋元

DIB

△ x				UNIT	TOLERANCE	USED ON	BANK
△ x				SCALE			FAMILY
△ x						ORIGINAL MODEL	
△ x				MATERIAL (COLOR)		FINISH (COLOR)	
△ x				DESCRIPTION			
△ x				(E)			
HISTORY				REVISION			
NO.	DATE	BY	CHKD BY	NO.	DATE	BY	CHKD BY
1	2006.7.22	安田	橋元	1	2006.7.22	安田	橋元
G3 MOUNT				WAX 40"			
PART NO.				SHEET 1/2			



Mount Mecha	A8003	214978601	D8600_06001
Mount Mecha	A8004	214978601	D8700_06701

Mount Mecha	A8005	214978611	D8601_06602
Mount Mecha	A8006	214978611	D8600_06603
Mount Mecha	A8007	234990001	D8802_0806
Mount Mecha	A8008	234982011	D8807_0804
Mount Mecha	A8009	214978601	D8807
Mount Mecha	A8600	404248002	XX

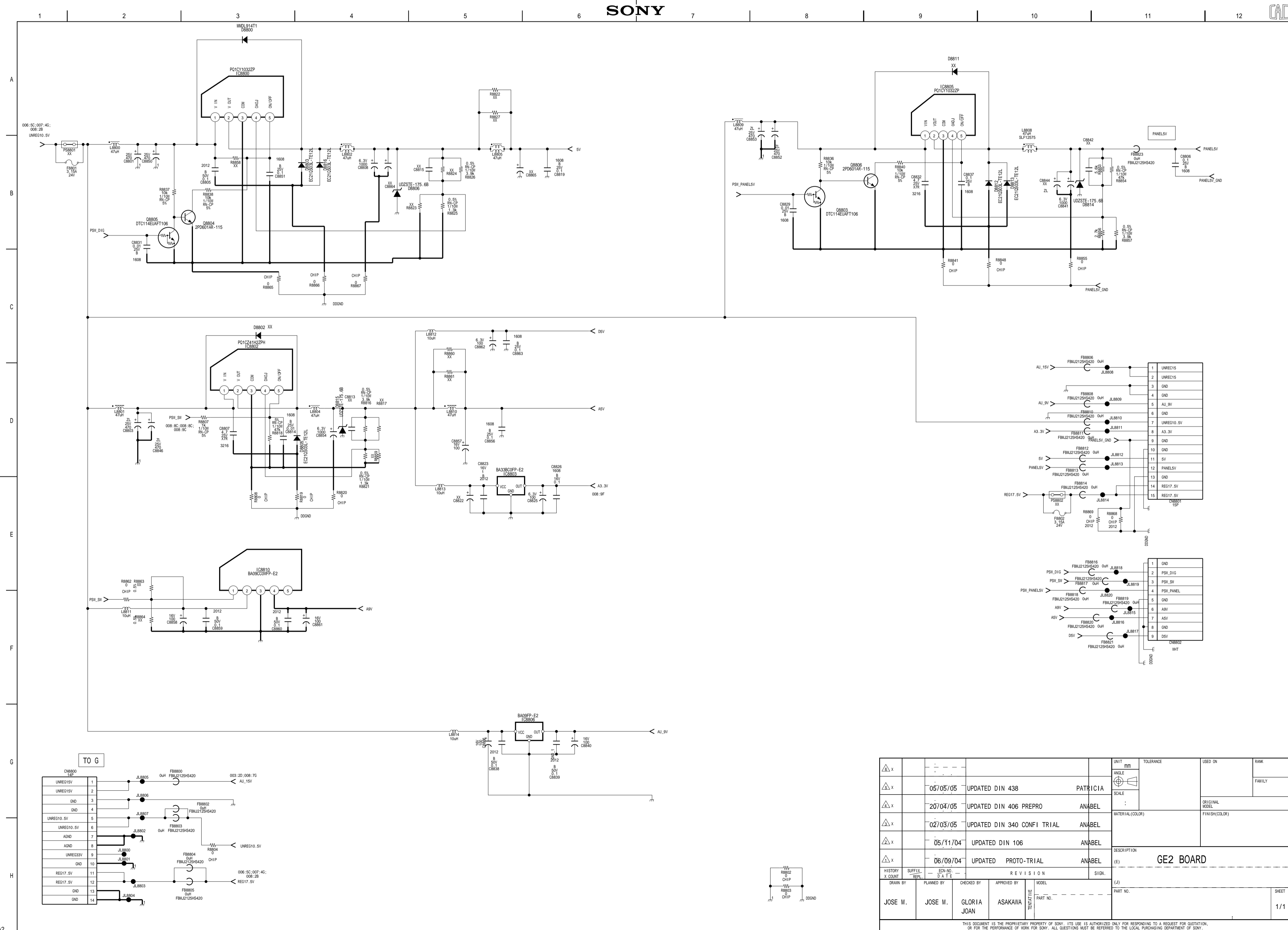
U1	U1000101	U1000101	U1000101
U2	U1000101	U1000101	U1000101
U3	U1000101	U1000101	U1000101
U4	U1000101	U1000101	U1000101
U5	U1000101	U1000101	U1000101
U6	U1000101	U1000101	U1000101
U7	U1000101	U1000101	U1000101
U8	U1000101	U1000101	U1000101
U9	U1000101	U1000101	U1000101
U10	U1000101	U1000101	U1000101

1	STBY 5V
2	DND
3	POWER-ON
4	AC OFF DET
5	DND

1	FAN
2	FAN_ERR1
3	DND

SONY

CAD



DATE	BY	REVISION	DESCRIPTION	UNIT	TOLERANCE	USED ON	SINK
05/05/05	JOSE M.	1	UPDATED DIN 438	mm			FAMILY
20/04/05	GLORIA	2	UPDATED DIN 406 PREPRO	SCALE			ORIGINAL MODEL
02/03/05	JOAN	3	UPDATED DIN 340 CONF1 TRIAL	MATERIAL(COLOR)			FINISH(COLOR)
05/11/04	JOAN	4	UPDATED DIN 106	DESCRIPTION:			
06/09/04	JOAN	5	UPDATED PROTO-TRIAL	(E)			GE2 BOARD
HISTORY							
NO. OF CHANGES	BY	DATE	DESCRIPTION	UNIT	SCALE	USED ON	SINK
1	JOSE M.	05/05/05	UPDATED DIN 438	mm			FAMILY
2	GLORIA	20/04/05	UPDATED DIN 406 PREPRO	SCALE			ORIGINAL MODEL
3	JOAN	02/03/05	UPDATED DIN 340 CONF1 TRIAL	MATERIAL(COLOR)			FINISH(COLOR)
4	JOAN	05/11/04	UPDATED DIN 106	DESCRIPTION:			
5	JOAN	06/09/04	UPDATED PROTO-TRIAL	(E)			GE2 BOARD
DRAN BY	PLANNED BY	CHECKED BY	APPROVED BY	MODEL	UNIT	SCALE	SINK
JOSE M.	JOSE M.	GLORIA	ASAKAWA	GE2	mm		FAMILY
PART NO.							
1/1							

A

B

C

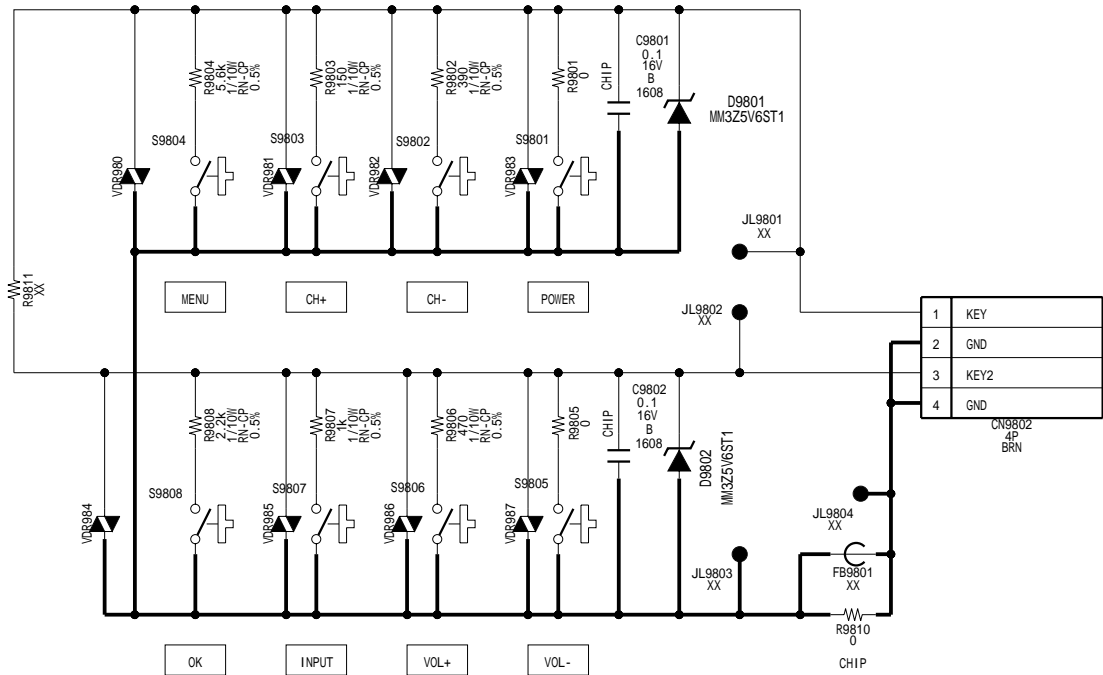
D

A

B

C

D



DRAWING
(TYPE D42)

SONY STANDARD
'90.10

REF.9801 9849

E	△6 x					UNIT mm	TOLERANCE	USED ON	RANK
	△5 x					ANGLE 			FAMILY
	△4 x					SCALE :		ORIGINAL MODEL	
	△3 x		10/05/05	UPDATE DIN 458	ELENA	MATERIAL (COLOR)	FINISH (COLOR)		
	△2 x		11/04/05	UPDATE DIN 375 PREPRO	ANABEL				
F	△1 x		11/01/05	UPDATE DIN-214	ELENA	DESCRIPTION (E) H1E MOUNT (1/1)			
	HISTORY X COUNT	SUFFIX REPL.	ECN-NO. DATE	REVISION		SIGN.			
	DRAWN BY	PLANNED BY	CHECKED BY	APPROVED BY	MODEL	(J) PART NO.			
					TENTATIVE	PART NO.			
						Wax AEP			
SHEET									

THIS DOCUMENT IS THE PROPRIETARY PROPERTY OF SONY. ITS USE IS AUTHORIZED ONLY FOR RESPONDING TO A REQUEST FOR QUOTATION, OR FOR THE PERFORMANCE OF WORK FOR SONY. ALL QUESTIONS MUST BE REFERRED TO THE LOCAL PURCHASING DEPARTMENT OF SONY.

A4

ISSUED
HH:MM

YYYY/MM/DD

1

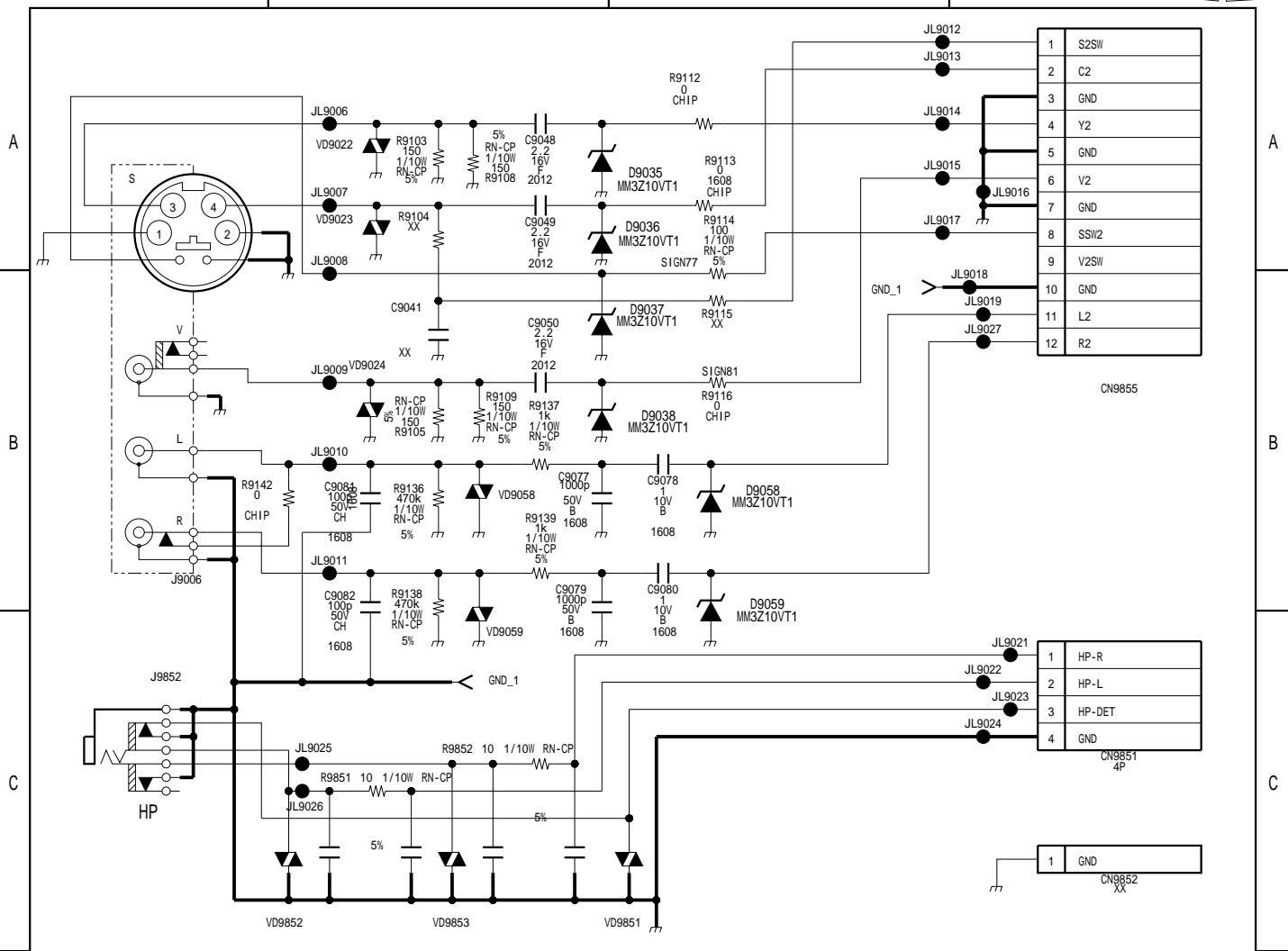
2

3

4

DRAWING
(TYPE D42)

SONY STANDARD
'90.10



SV-12813(E)	SV-12817(CH)
SV-12814(E)	SV-12818(CH)
SV-12815(E)	SV-12954(CH)
SV-12954(E)	

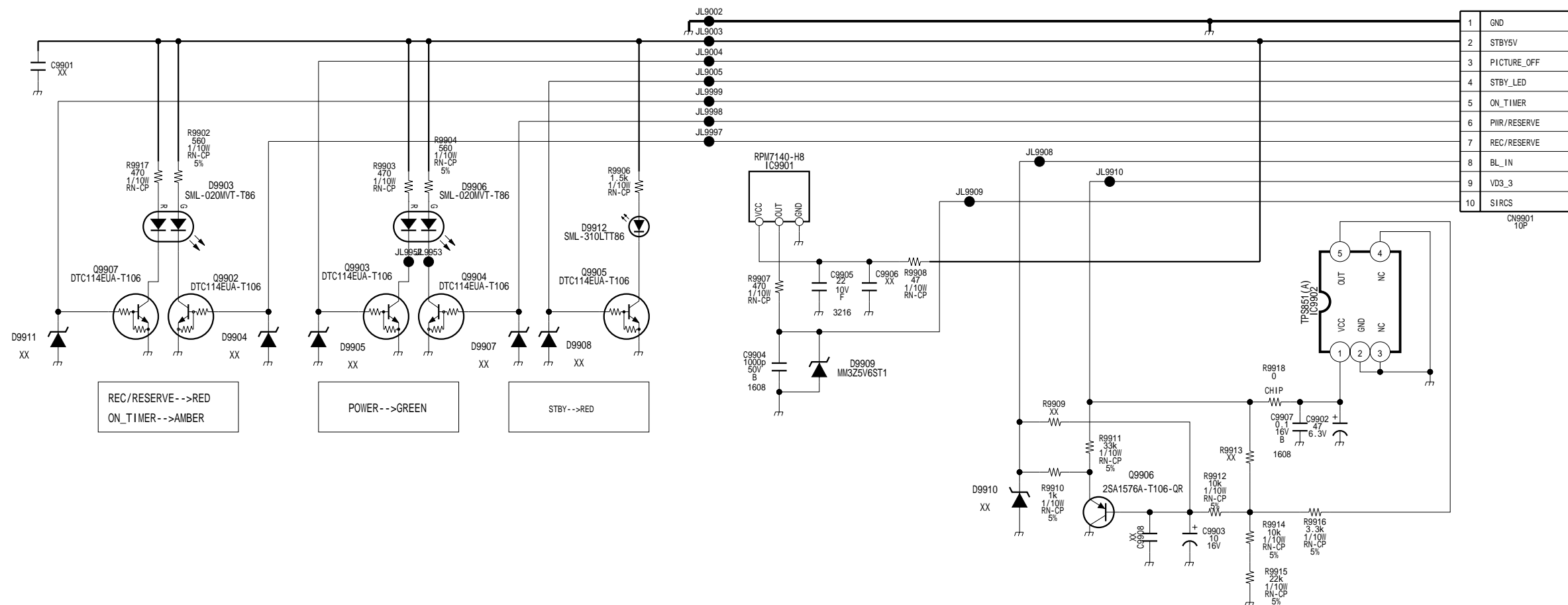
△6 x					UNIT mm	TOLERANCE	USED ON	RANK
△5 x					ANGLE 			FAMILY
△4 x					SCALE :		ORIGINAL MODEL	
△3 x					MATERIAL (COLOR)		FINISH (COLOR)	
△2 x					DESCRIPTION H2 MOUNT			
△1 x								
		'05/06/23	DIN No114		REVISION			
HISTORY X COUNT	SUFFIX REPL.	ECN-NO. DATE		SIGN.				
DRAWN BY	PLANNED BY	CHECKED BY	APPROVED BY	MODEL	(J)			
				TENTATIVE PART NO.				
					PART NO.	WAX-GA		
					SHEET			

THIS DOCUMENT IS THE PROPRIETARY PROPERTY OF SONY. ITS USE IS AUTHORIZED ONLY FOR RESPONDING TO A REQUEST FOR QUOTATION, OR FOR THE PERFORMANCE OF WORK FOR SONY. ALL QUESTIONS MUST BE REFERRED TO THE LOCAL PURCHASING DEPARTMENT OF SONY.

A4

ISSUED
HH:MM

YYYY/MM/DD



REC/RESERVE-->RED
ON_TIMER-->AMBER

POWER-->GREEN

STBY-->RED

REF.9901 9949
LED/SIRCS

04/09/06
DIB #012 までメンテ

△x					UNIT	mm	TOLERANCE	USED ON	RANK
					ANGLE				FAMILY
△x					SCALE	:		ORIGINAL MODEL	
△x					MATERIAL(COLOR)		FINISH(COLOR)		
△x					DESCRIPTION				
△x		27/10/04	UPDATE DIN-096		ELENA	H3 MOUNT (1/1)			
HISTORY X COUNT	SUFFIX REPL	ECN-NO DATE	REVISION		SIGN.				
DRAIN BY	PLANNED BY	CHECKED BY	APPROVED BY	MODEL					
				TENTATIVE	PART NO.	PART NO.			SHEET
						WAX CHASSIS			

THIS DOCUMENT IS THE PROPRIETARY PROPERTY OF SONY. ITS USE IS AUTHORIZED ONLY FOR RESPONDING TO A REQUEST FOR QUOTATION, OR FOR THE PERFORMANCE OF WORK FOR SONY. ALL QUESTIONS MUST BE REFERRED TO THE LOCAL PURCHASING DEPARTMENT OF SONY.

SECTION 6 EXPLODED VIEWS

NOTE:

The components identified \triangle marked are critical for safety.
Replace only with the part number specified.

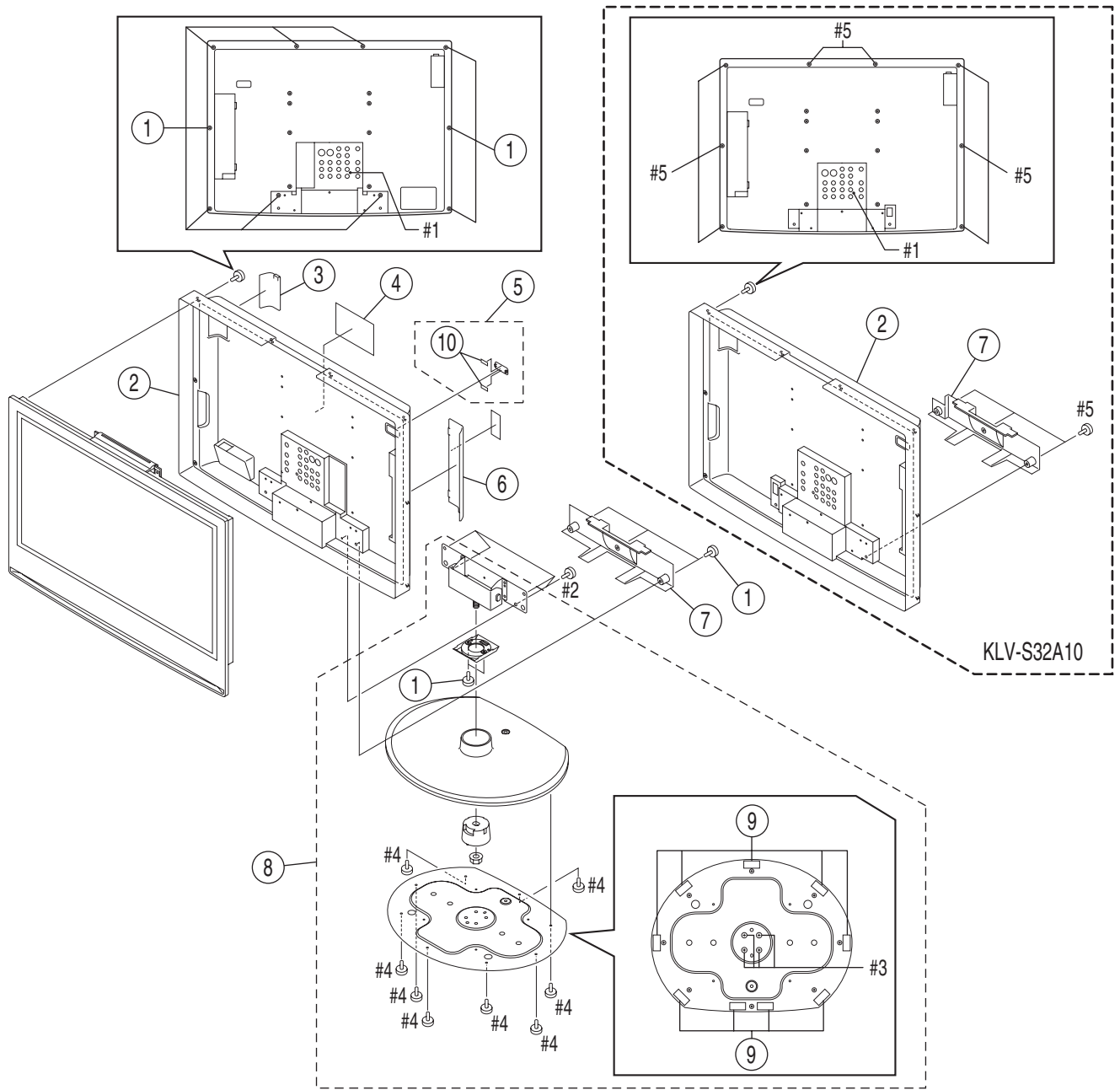
Les composants identifiés par la marque \triangle sont critiques pour la sécurité.
Ne les remplacer que par une pièce portant le numéro spécifié.

- Items with no part number and no description are not stocked because they are seldom required for routine service.
- The construction parts of an assembled part are indicated with a collation number in the remark column.
- Items marked " * " are not stocked since they are seldom required for routine service. Some delay should be anticipated when ordering these items.

Note: Illustrations are created based on KLV-S26A10.

6-1. KLV-S26A10/S32A10

6-1-1. REAR CABINET ASSY AND STAND ASSY

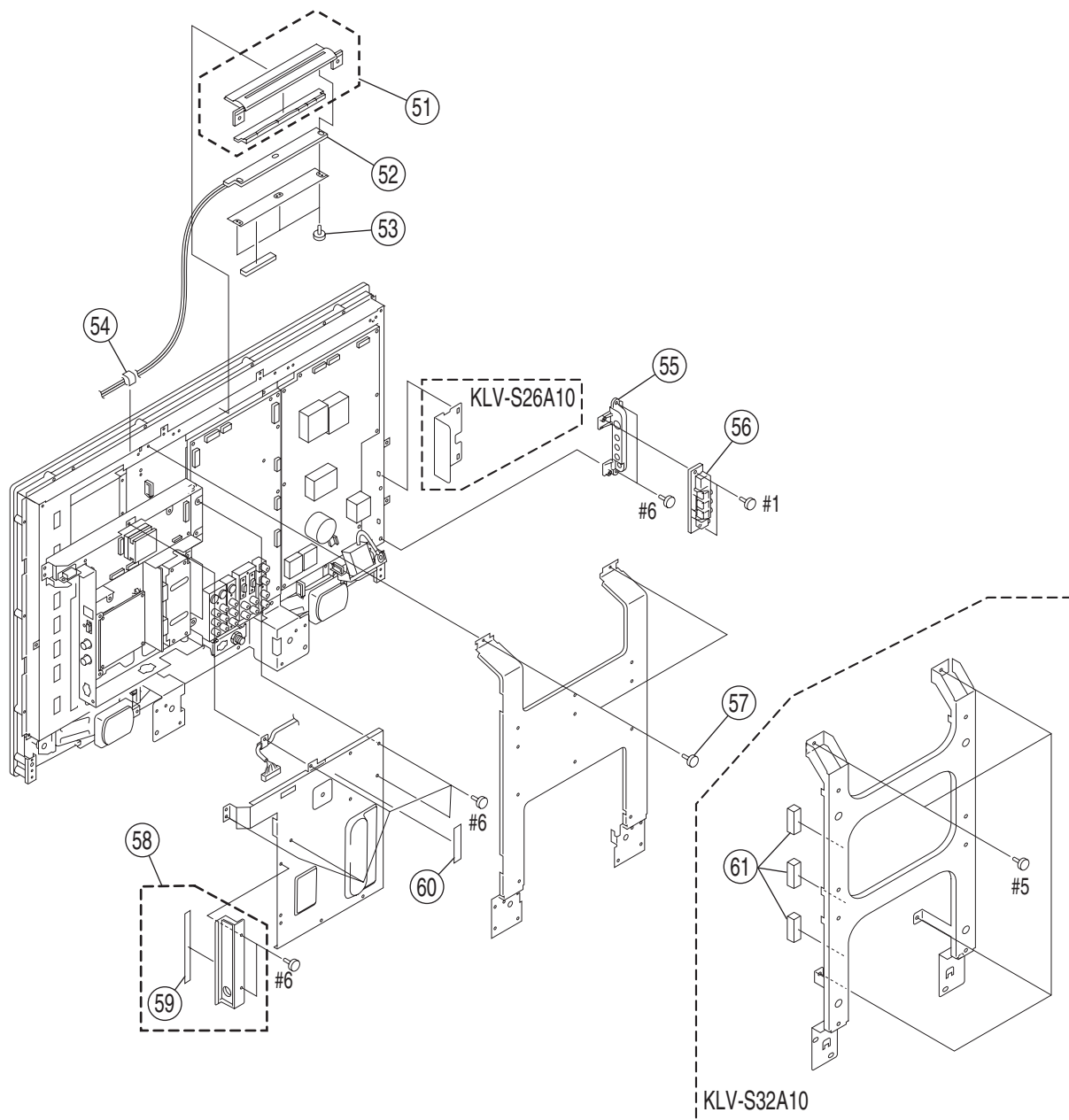


REF. No.	PART No.	DESCRIPTIONRE	MARK
1	2-320-333-01	SCREW +B M4X6	
2	X-2067-457-1	CABINET REAR ASSY (26C) (KLV-S26A10)	
	X-2067-456-1	CABINET REAR ASSY (32C) (KLV-S32A10)	
3	2-629-170-01	COVER SIDE	
4	* 2-637-875-01	PLATE, MODEL NAME (KLV-S26A10)	
	* 2-637-875-11	PLATE, MODEL NAME (KLV-S32A10)	
5	X-2055-564-2	ECS COVER ASSY	10

REF. No.	PART No.	DESCRIPTIONRE	MARK
6	X-2055-565-1	JACK COVER (S) ASSY (KLV-S26A10)	
	X-2055-566-1	JACK COVER (L) ASSY (KLV-S32A10)	
7	X-2055-757-1	COVER, HINGE (26) ASSY (KLV-S26A10)	
	2-549-470-01	COVER, HINGE (32) (KLV-S26A10)	
8	X-2067-704-1	STAND ASSY (L)	1, 9
9	4-100-951-11	FOOT, STAND	
10	4-660-752-01	TAPE (LCD)	
#1	7-685-647-79	SCREW +BVTP 3X10 TYPE2 IT-3	
#2	7-682-973-49	SCREW +PSW 5X16	
#3	7-682-973-39	SCREW +PSW 5X14	
#4	7-685-246-19	SCREW +KTP 3X8 TYPE2 NON-SLIT	
#5	7-682-962-09	SCREW +PSW 4X10	

KLV-S26A10/S32A10

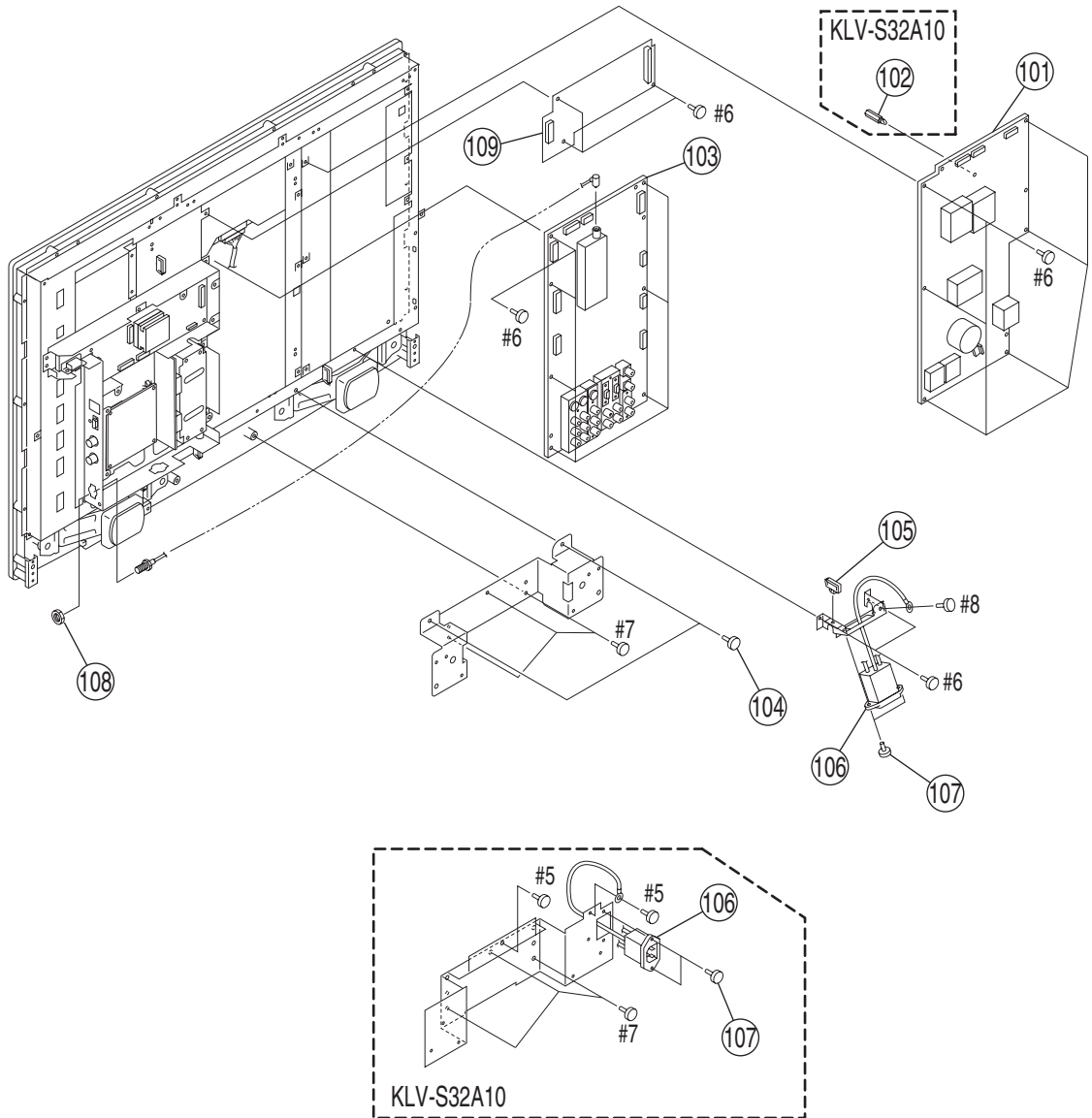
6-1-2. CHASSIS-1



REF. No.	PART No.	DESCRIPTIONRE	MARK
51	X-2067-370-1	ASSY, BUTTON MULTI (26G) (KLV-S26A10)	
	X-2067-375-1	BUTTON, MULTI ASSY (32G) (KLV-S32A10)	
52	* A-1128-518-A	H1E MOUNT	
53	4-908-792-41	SCREW (B2)	
54	4-660-752-01	TAPE (LCD)	
55	X-2067-415-1	HOLDER SIDE JACKG ASSY	
56	* A-1133-348-A	H2 MOUNT	
57	2-320-333-01	SCREW +B M4X6	
58	X-2055-719-1	BRACKET SIDE ASSY (G)	59
59	4-099-816-11	TAPE (SP C2)	
60	* 4-091-098-02	GASKET (F) (KLV-S26A10)	

REF. No.	PART No.	DESCRIPTIONRE	MARK
61	4-088-215-01	GASKET (13X13) (KLV-S32A10)	
#1	7-685-647-79	SCREW +BVTP 3X10 TYPE2 IT-3	
#5	7-682-962-09	SCREW +PSW 4X10 (KLV-S32A10)	
#6	7-685-871-01	SCREW +BVTT 3X6 (S)	

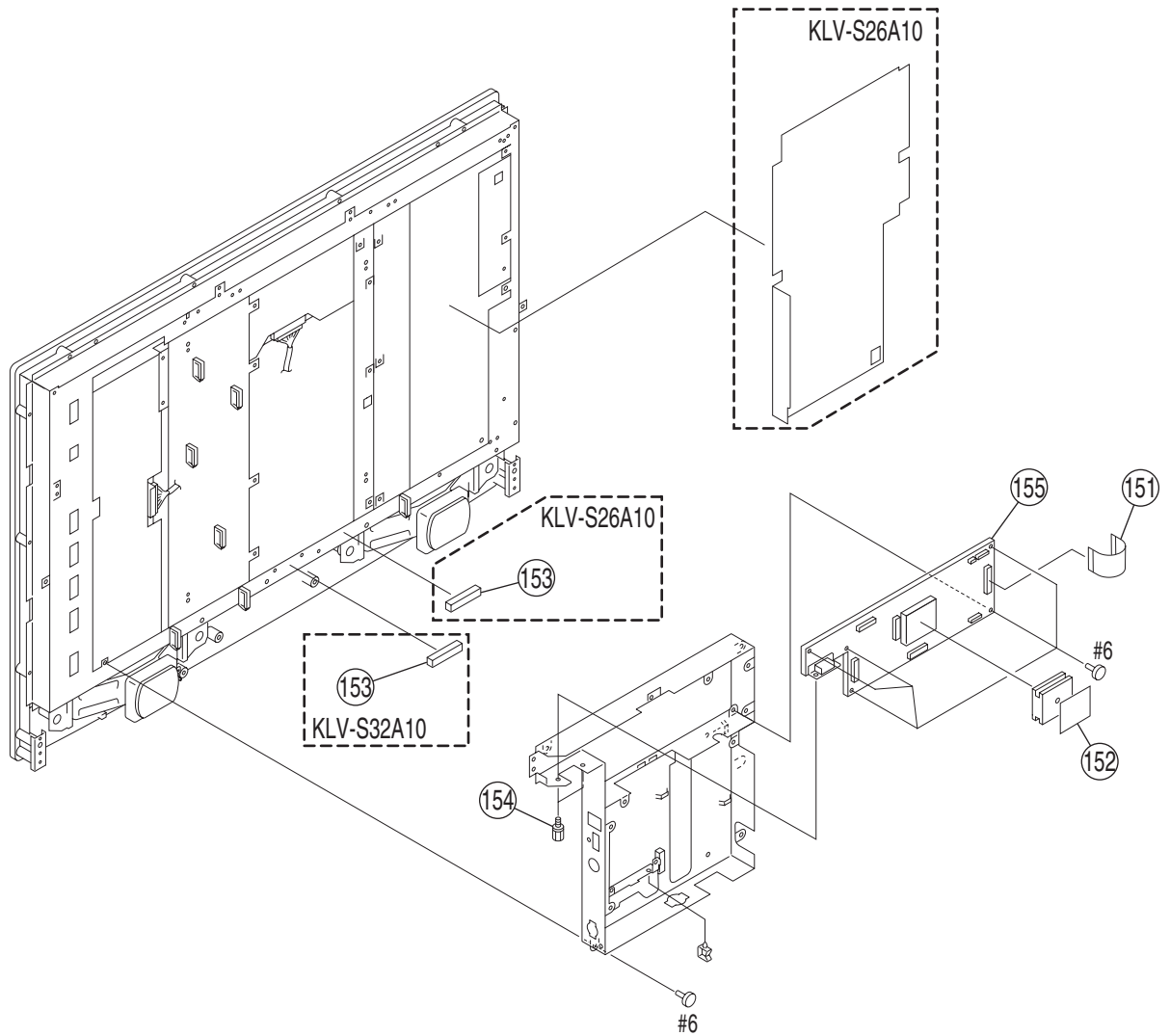
KLV-S26A10/S32A10
6-1-3. CHASSIS-2



REF. No.	PART No.	DESCRIPTIONRE	MARK
101	* A-1161-869-A	G2 COMPL	
102	* 4-650-917-01	SPACER, TAPPING CARD (KLV-S32A10)	
103	* A-1132-757-A	A2G COMPL	
104	2-320-333-01	SCREW +B M4X6	
105	* 4-098-165-01	CLAMPER (KLV-S26A10)	
106	1-819-594-11	AC INLET (WITH NOISE FILTER)	
107	2-596-649-01	+KTT 3X10 (S TYPE)	
108	1-831-401-11	CABLE, COAXIAL	
109	* A-1163-007-A	GE2 MOUNT	

REF. No.	PART No.	DESCRIPTIONRE	MARK
#5	7-682-962-09	SCREW +PSW 4X10	
#6	7-685-871-01	SCREW +BVTT 3X6 (S)	
#7	7-685-661-79	SCREW +BVTP 4X12 TYPE2 N-S	
#8	7-682-663-09	SCREW +PSW 4X12	

KLV-S26A10/S32A10
6-1-4. CHASSIS-3

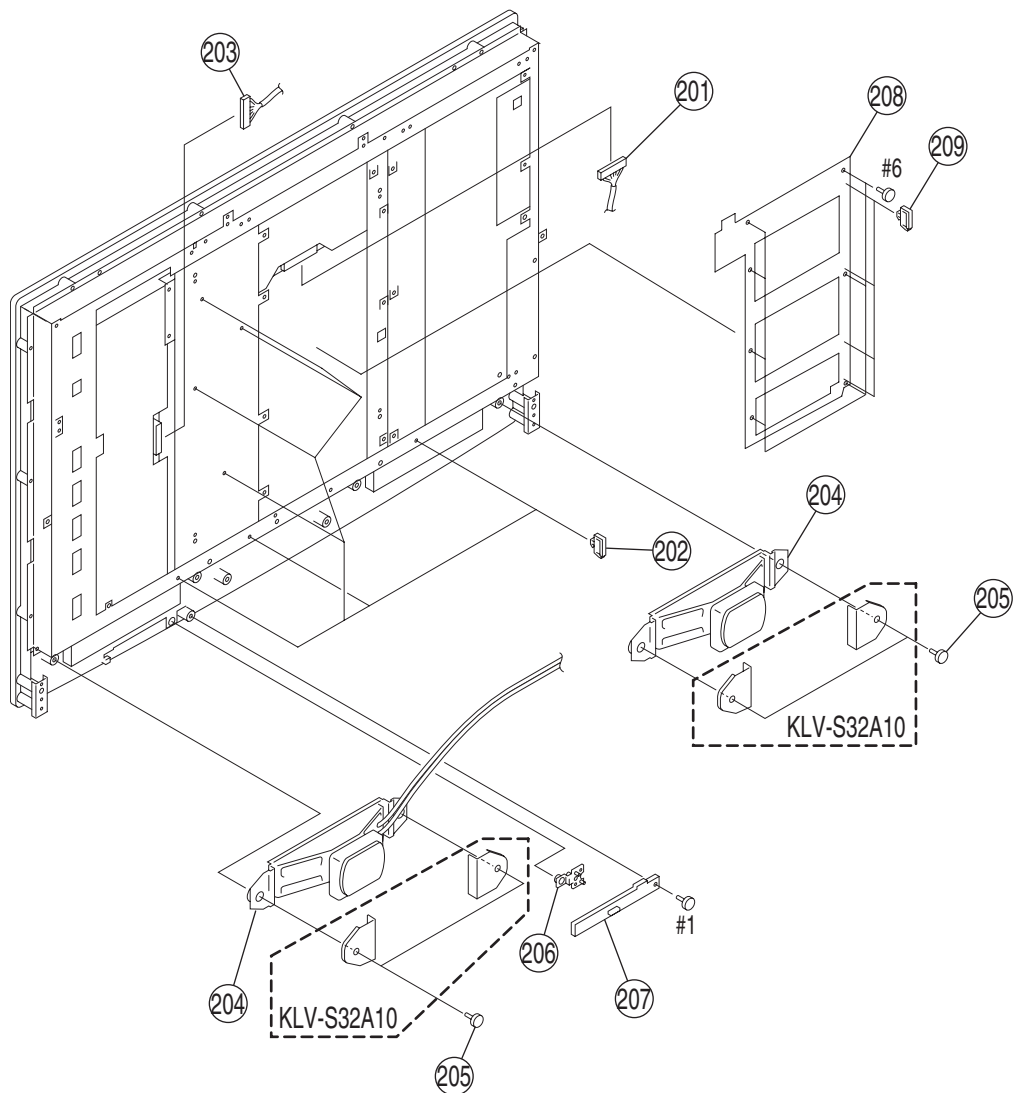


REF. No.	PART No.	DESCRIPTIONRE	MARK
151	1-910-020-96	CONNECTOR ASSY 49P	
152	2-586-173-01	SHEET A, RADIATION	
153	4-088-215-01	GASKET (13X13) (KLV-S26A10)	
154	4-635-966-01	SCREW (HEX)	
155	A-1154-534-A	BG COMPL	

REF. No.	PART No.	DESCRIPTIONRE	MARK
#6	7-685-871-01	SCREW +BVTT 3X6 (S)	

KLV-S26A10/S32A10

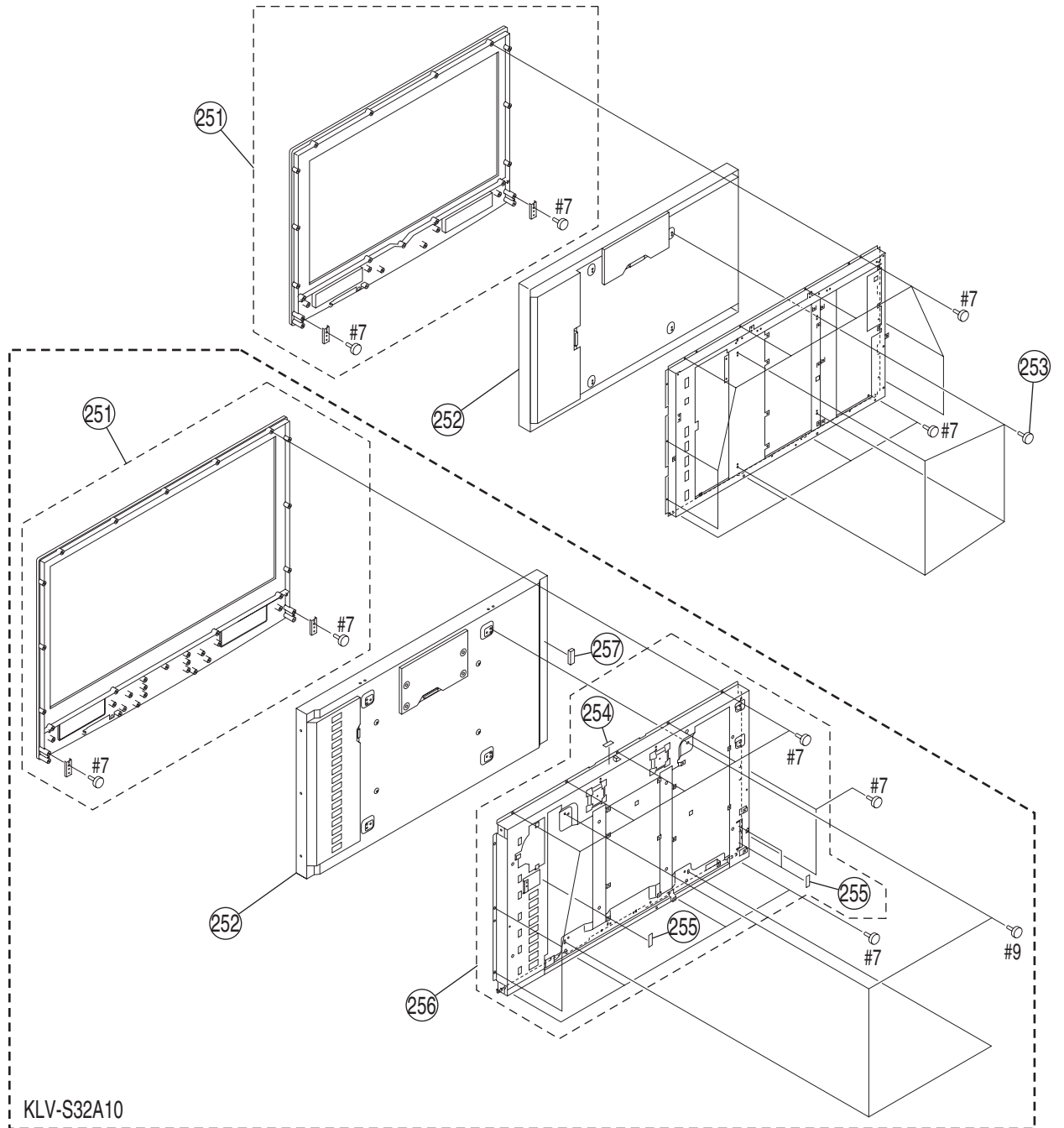
6-1-5. CHASSIS-4



REF. No.	PART No.	DESCRIPTIONRE	MARK
201	1-830-355-21	HARNESS WITH CONNECTOR (LVDS)	
202	* 4-098-165-01	CLAMPER (KLV-S26A10)	
203	1-910-016-34	CONNECTOR ASSY 14P (KLV-S32A10)	
	1-910-022-14	CONNECTOR ASSY 14P (KLV-S26A10)	
204	1-826-063-21	LOUDSPEAKER (4.2X15CM) (KLV-S26A10)	
	1-826-042-11	LOUDSPEAKER (5X15CM) (KLV-S32A10)	
205	2-580-642-01	SCREW +BVTP2 4X25 (KLV-S32A10)	
	4-302-404-03	TAPPING SCREW (+PWH 4X16) (KLV-S26A10)	

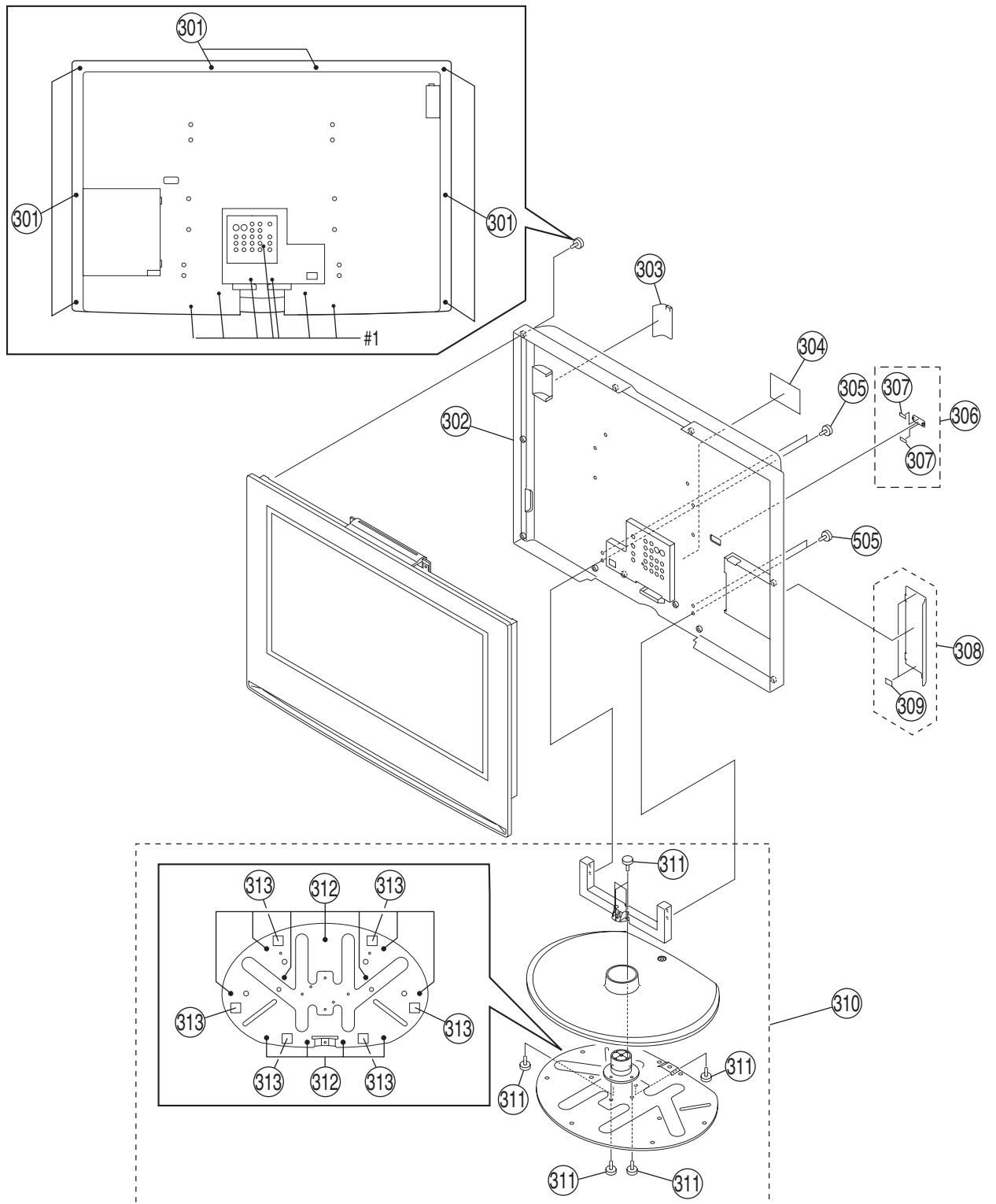
REF. No.	PART No.	DESCRIPTIONRE	MARK
206	* 2-515-684-01	GUIDE, LIGHT SENSOR	
207	* A-1133-349-A	H3 MOUNT	
208	* 2-629-956-01	A2E BRACKET	209
209	* 4-098-165-01	CLAMPER	
#1	7-685-647-79	SCREW +BVTP 3X10 TYPE2 IT-3	
#6	7-685-871-01	SCREW +BVTT 3X6 (S)	

KLV-S26A10/S32A10
6-1-6. LCD PANEL



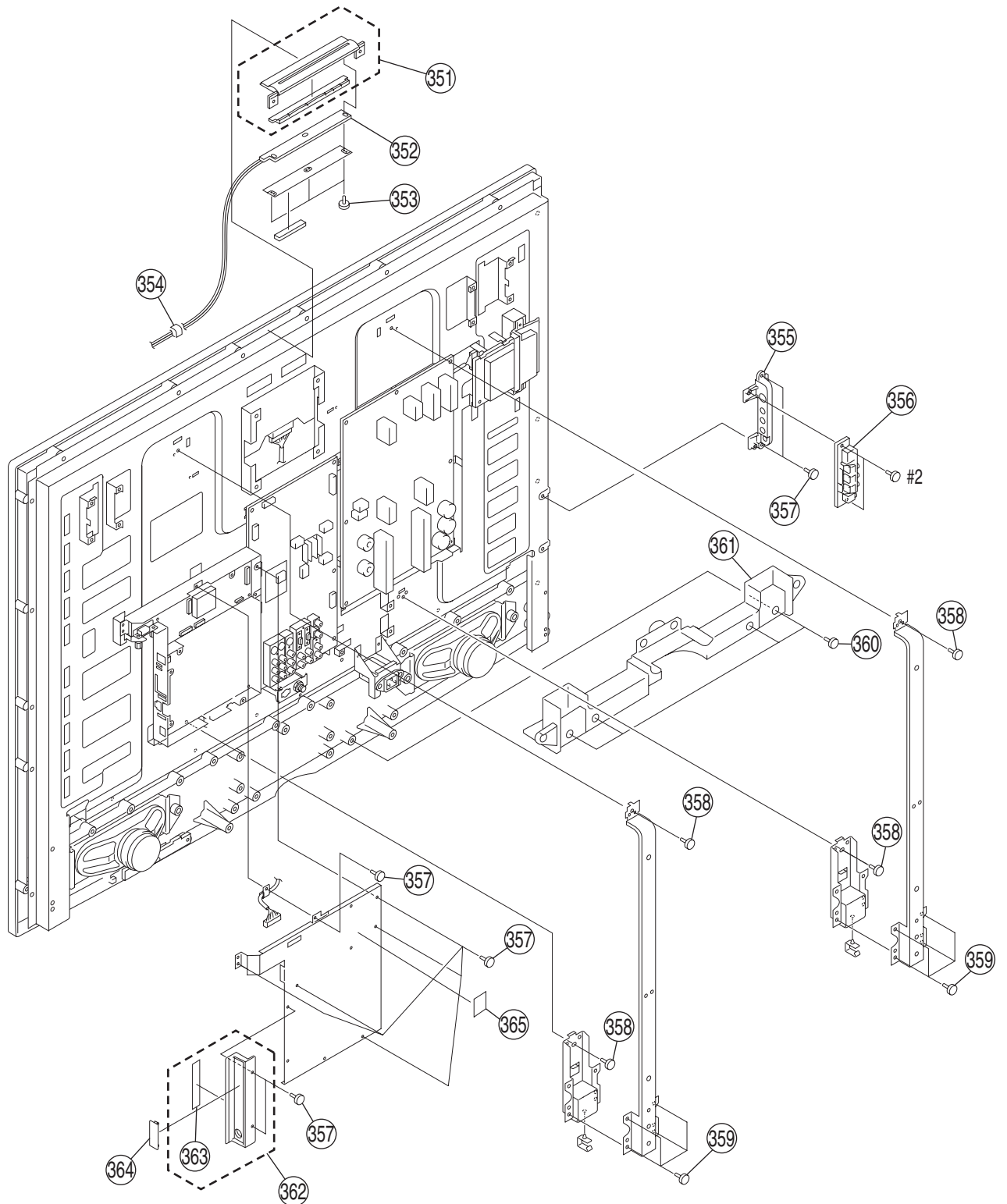
REF. No.	PART No.	DESCRIPTIONRE	MARK	REF. No.	PART No.	DESCRIPTIONRE	MARK
251	X-2067-420-1	BEZEL ASSY (26G) (KLV-S26A10)		256	X-2025-368-5	LCD BRACKET ASSY (32) (KLV-S32A10)	254, 255
	X-2067-411-1	BEZEL ASSY (32G) (KLV-S32A10)		257	* 4-091-098-02	GASKET (F) (KLV-S32A10)	
252	1-805-871-21	LCD PANEL(26INCH WXGA+TFT) (KLV-S26A10)		#7	7-685-661-79	SCREW +BVTP 4X12 TYPE2 N-S	
	1-805-870-21	LCD PANEL(32INCH WXGA+TFT) (KLV-S32A10)		#9	7-682-973-09	SCREW +PSW 5X8	
253	2-320-333-01	SCREW +B M4X6					
254	4-660-752-01	TAPE (LCD)					
255	* 4-094-278-01	SHEET, HOLD (KLV-S32A10)					

6-2. KLV-S40A10
6-2-1. REAR CABINET ASSY AND STAND ASSY



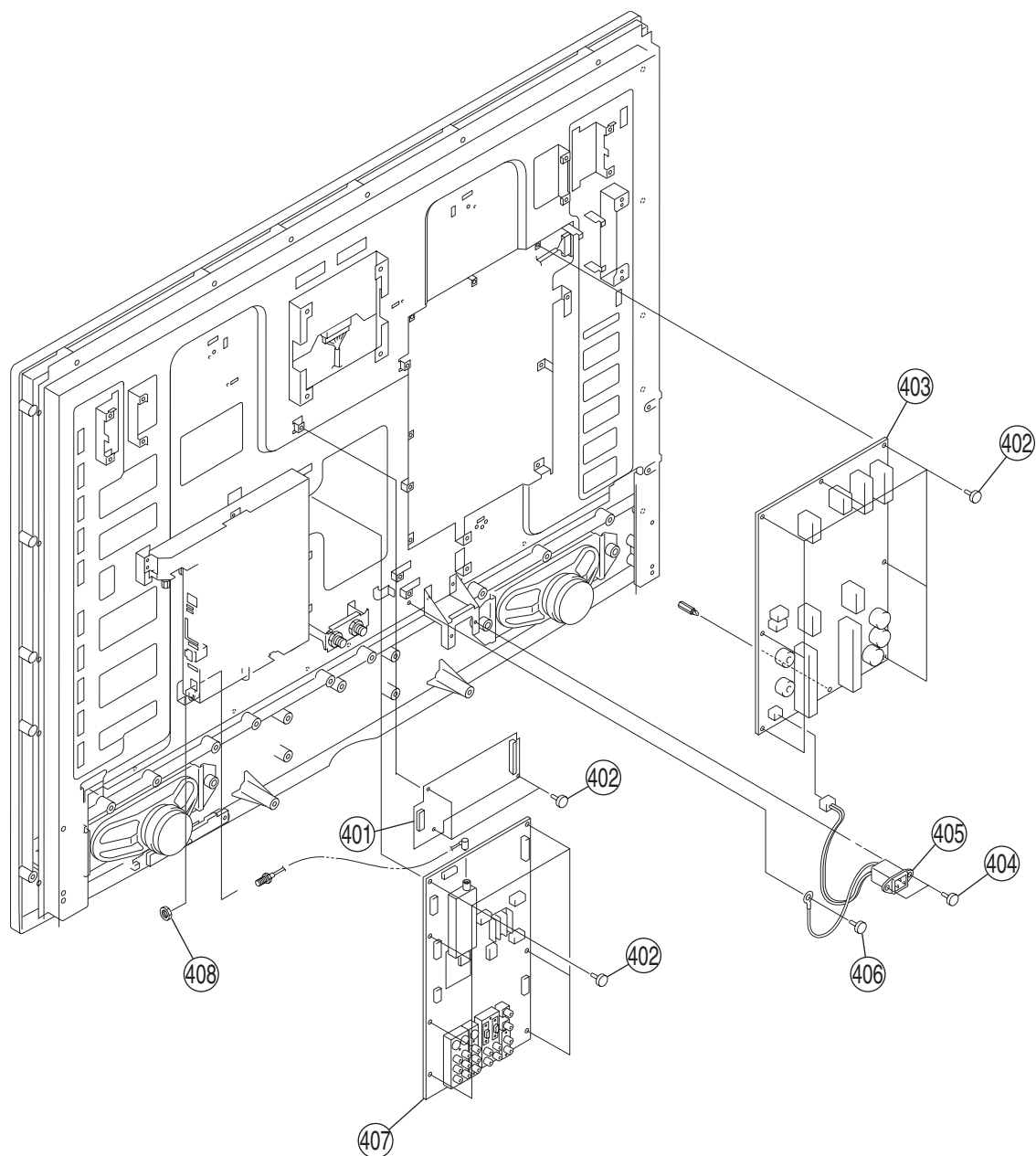
REF. No.	PART No.	DESCRIPTIONRE	MARK	REF. No.	PART No.	DESCRIPTIONRE	MARK
301	2-580-600-01	SCREW +PSW M4X8		311	2-580-607-01	SCREW +PSW M5X12	
302	X-2067-892-1	CABINET, REAR (40C)		312	3-254-144-11	SCREW (B3), (+) BV TAPPING	
303	2-629-170-01	COVER SIDE		313	2-590-249-01	FOOT	
304	2-637-875-21	PLATE, MODEL NAME		#1	7-685-647-79	SCREW +BVTP 3X10 TYPE2 IT-3	
305	2-580-608-01	SCREW +PSW M5X16					
306	X-021-173-12	COVER, ECS (20)	307				
307	4-660-752-01	TAPE (LCD)					
308	* X-2067-584-1	COVER ASSY (40), JACK	309				
309	3-076-631-01	TAPE (0716)					
310	X-2050-187-1	STAND, ASSY	311, 312, 313				

KLV-S40A10
6-2-2. CHASSIS-1



REF. No.	PART No.	DESCRIPTIONRE	MARK	REF. No.	PART No.	DESCRIPTIONRE	MARK
351	X-2067-375-1	BUTTON, MULTI ASSY (32G)		361	2-638-282-01	COVER (40), UNDER	
352	* A-1128-518-A	H1E COMPL		362	X-2055-719-1	BRACKET SIDE ASSY (G)	363
353	4-908-792-41	SCREW (B2)		363	4-099-816-11	TAPE (SP C2)	
354	4-660-752-01	TAPE (LCD)		364	4-103-605-01	COVER, SERVICE	
355	X-2067-415-1	HOLDER SIDE JACK (G) ASSY		365	* 4-091-098-02	GASKET (F)	
356	* A-1133-348-A	H2 MOUNT		#1	7-685-647-79	SCREW +BVTP 3X10 TYPE2 IT-3	
357	2-580-628-01	SCREW, +BVST 3X6					
358	2-580-607-01	SCREW, +PSW M5X12					
359	2-580-630-01	SCREW, +BVST 4X8					
360	2-580-639-01	SCREW, +BVTP2 4X12					

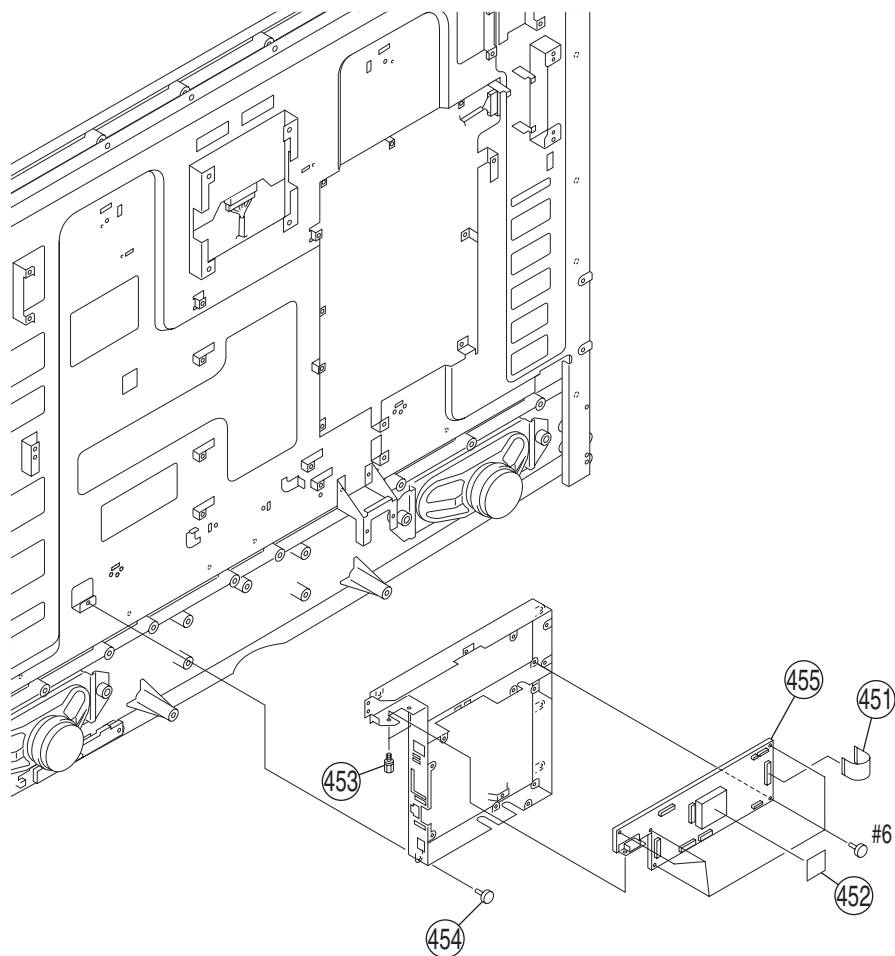
KLV-S40A10
6-2-3. CHASSIS-2



REF. No.	PART No.	DESCRIPTIONRE	MARK
401	* A-1163-007-A	GE2 COMPL	
402	2-580-628-01	SCREW +BVST 3X6	
403	* A-1148-761-D	G3 COMPL	
404	2-596-649-01	+KTT 3X10 (S TYPE)	
405	1-819-763-11	INLET, AC (WITH NOISE FILTER)	

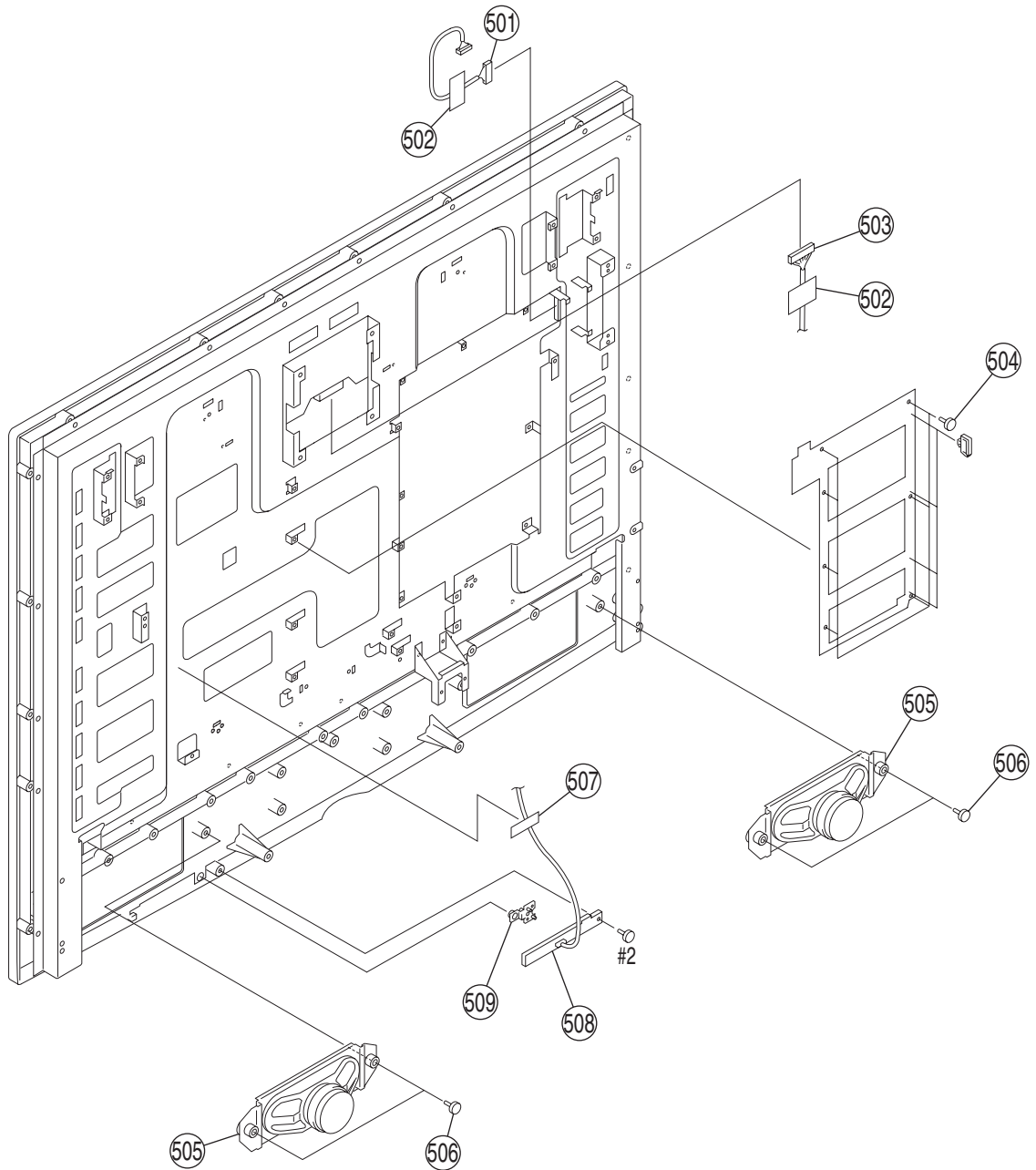
REF. No.	PART No.	DESCRIPTIONRE	MARK
406	2-580-600-01	SCREW +PSW M4X8	
407	* A-1132-757-A	A2G COMPL	
408	1-831-401-11	CABLE, COAXIAL	

KLVS40A10
6-2-4. CHASSIS-3



REF. No.	PART No.	DESCRIPTIONRE	MARK	REF. No.	PART No.	DESCRIPTIONRE	MARK
451	1-910-020-96	CONNECTOR ASSY 49P		#6	7-685-647-79	SCREW +BVTP 3X10 TYPE2 IT-3	
452	2-586-173-01	SHEET A, RADIATION					
453	4-635-966-01	SCREW (HEX)					
454	2-580-628-01	SCREW +BVST 3X6					
455	A-1154-534-A	BG COMPL					

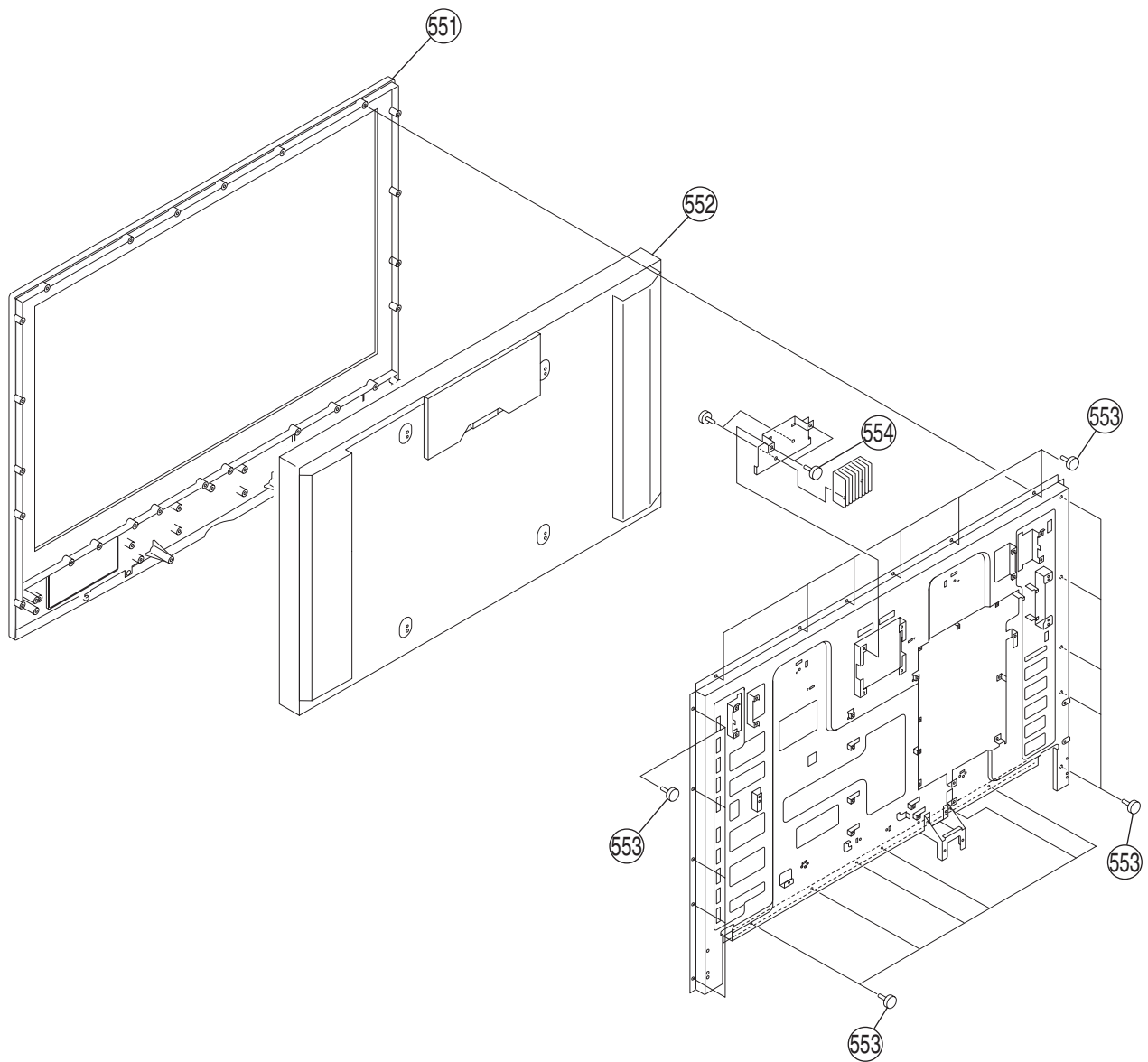
KLVS40A10
6-2-5. CHASSIS-4



REF. No.	PART No.	DESCRIPTIONRE	MARK
501	* 1-910-019-25	CONNECTOR ASSY 14P	
502	* 4-094-278-01	SHEET, HOLD	
503	1-830-852-21	HARNESS WITH CONNECTOR (LVDS)	
504	2-580-628-01	SCREW, +BVST 3X6	
505	1-826-231-11	SPEAKER	

REF. No.	PART No.	DESCRIPTIONRE	MARK
506	4-302-404-11	TAPPING SCREW (+PWH 4X16)	
507	4-660-752-01	TAPE (LCD)	
508	* A-1133-349-A	H3 MOUNT	
509	* 2-515-684-01	GUIDE, LIGHT SENSOR	
#1	7-685-647-79	SCREW +BVTP 3X10 TYPE2 IT-3	

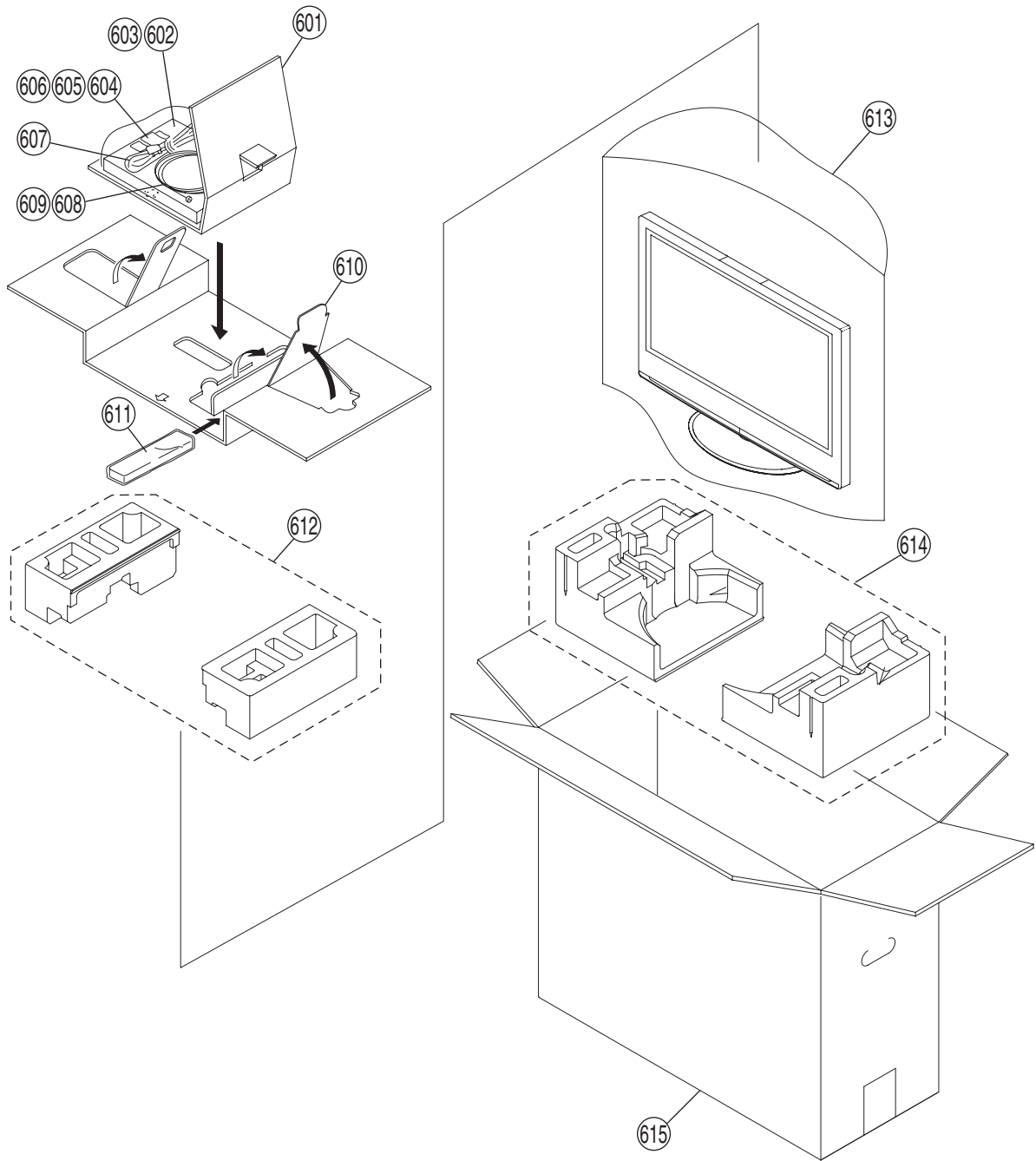
KLVS40A10
6-2-6. LCD PANEL



REF. No.	PART No.	DESCRIPTIONRE	MARK
551	X-2067-883-1	BEZEL ASSY (40G)	
552	1-805-879-11	LCD PANEL	
553	2-580-639-01	SCREW, +BVTP2 4X12	
554	2-580-600-01	SCREW, +PSW M4X8	

REF. No.	PART No.	DESCRIPTIONRE	MARK
----------	----------	---------------	------

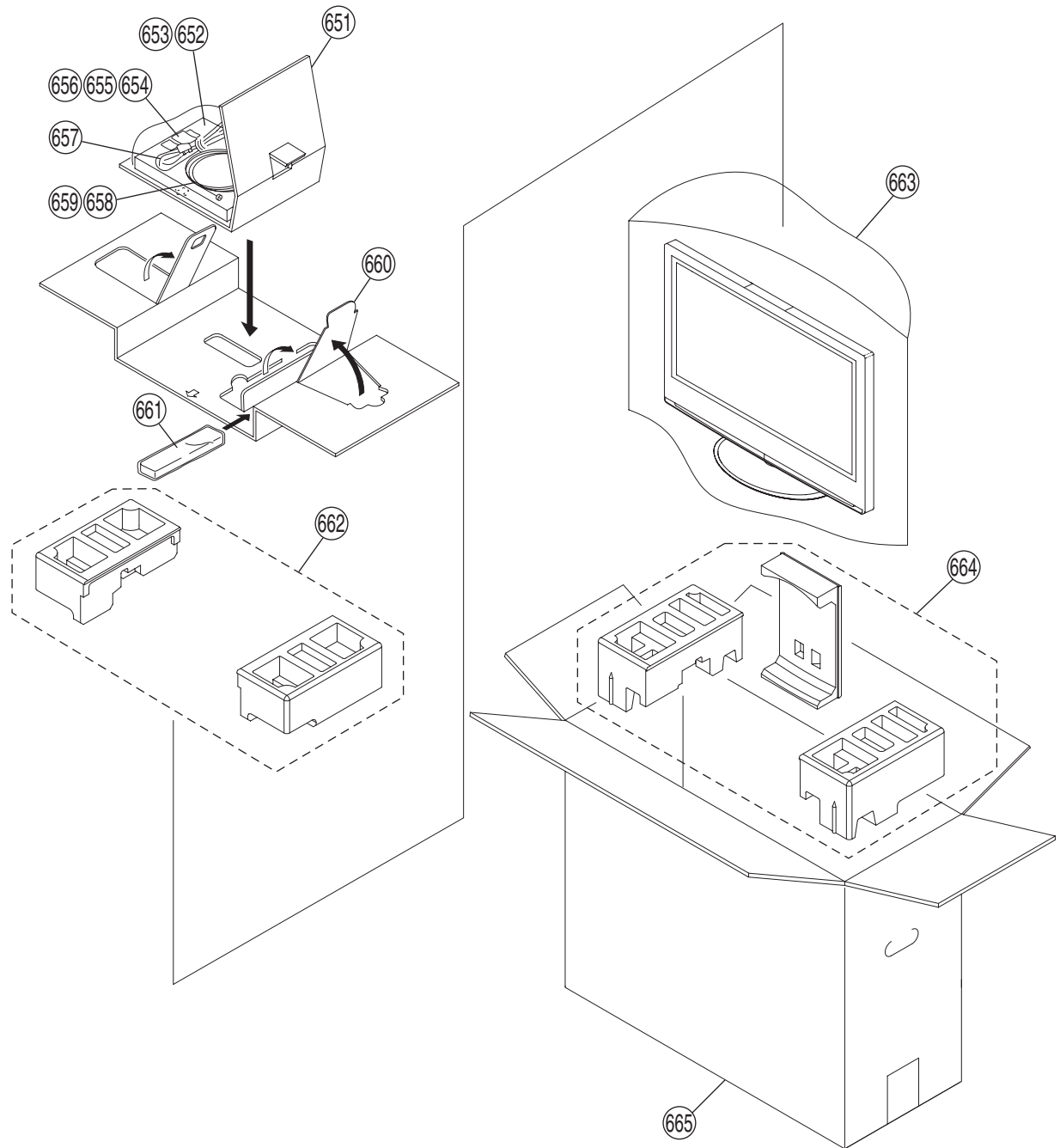
6-3. PACKING MATERIALS (KLV-S26A10)



REF. No.	PART No.	DESCRIPTIONRE	MARK
601	* 2-638-438-01	SPACER	
602	2-636-571-11	MANUAL, INSTRUCTION	
603	2-636-572-21	GUIDE, QUICK SET UP	
604	X-2055-287-2	BAG ASSY, RUDDER LOCK	
605	2-593-320-02	SCREW, CION (M6X18)	
606	7-621-853-30	SCREW,WOOD +R 3.1X13	
607	△ 1-830-877-11	POWER-SUPPLY CORD	
608	1-769-175-21	CABLE, ANTENNA (WITH FILTER)	
609	1-830-686-11	CABLE ASSY (15PDSUBCONNECTORX2)	
610	* 2-638-437-01	BOARD, TOP	

REF. No.	PART No.	DESCRIPTIONRE	MARK
611	1-479-524-11	REMOTE COMMANDER (RM-SA003)	
612	* 2-638-439-01	CUSHION (UPPER)	
613	* 4-377-015-01	BAG, PROTECTION	
614	* 2-638-440-01	CUSHION (LOWER)	
615	* 2-638-436-01	INDIVIDUAL CARTON	

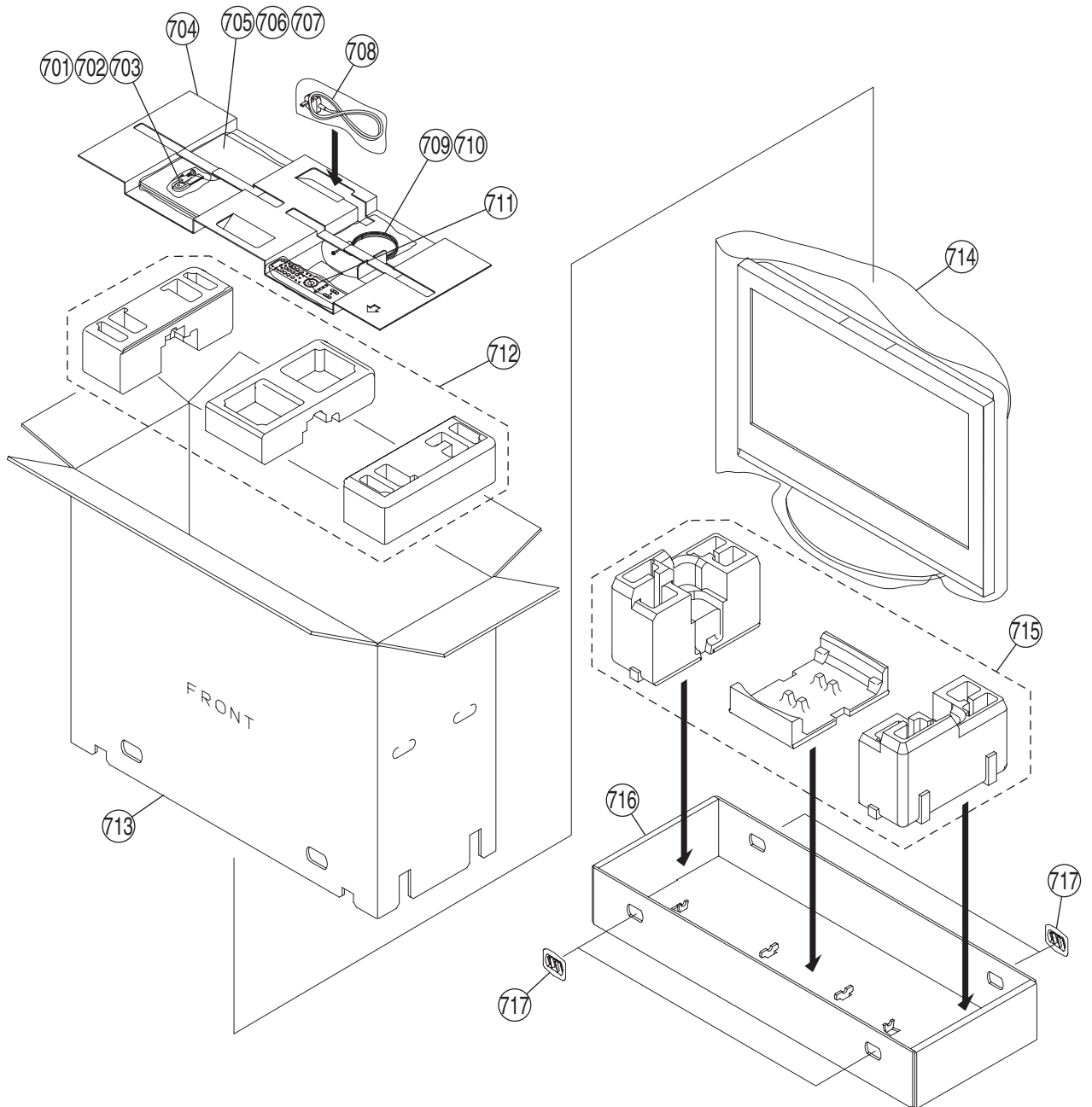
6-4. PACKING MATERIALS (KLV-S32A10)



REF. No.	PART No.	DESCRIPTIONRE	MARK
651	* 2-638-443-01	SPACER	
652	2-636-571-11	MANUAL, INSTRUCTION	
653	2-636-572-21	GUIDE, QUICK SETUP	
654	X-2055-287-2	BAG ASSY, RUDDER LOCK	
655	7-621-853-30	SCREW, WOOD +R 3.1X13	
656	2-593-320-02	SCREW, COIN (M6X18)	
657	△ 1-830-877-11	POWER SUPPLY CORD SET	
658	1-769-175-21	CABLE, ANTENNA (WITH FILTER)	
659	1-830-686-11	CABLE ASSY (15PDSUBCONNECTORX2)	
660	* 2-638-442-01	BOARD, TOP	

REF. No.	PART No.	DESCRIPTIONRE	MARK
661	1-479-524-11	REMOTE COMMANDER (RM-SA003)	
662	* 2-638-444-01	CUSHION (UPPER)	
663	* 4-377-015-01	BAG, PROTECTION	
664	* 2-638-445-01	CUSHION (LOWER)	
665	* 2-638-441-01	INDIVIDUAL CARTON	

6-5. PACKING MATERIALS (KLV-S40A10)



REF. No.	PART No.	DESCRIPTIONRE	MARK
701	X-2102-511-1	BAG ASSY, RUDDER LOCK	
702	2-593-320-02	SCREW, CION (M6X18)	
703	2-580-663-01	SCREW, WOOD 3.8X20	
704	2-659-712-01	BOARD, TOP	
705	2-636-571-11	MANUAL, INSTRUCTION	
706	2-636-572-21	GUIDE, QUICK SET UP	
707	2-651-192-11	MANUAL (WALL MOUNT INSTRUCTION)	
708	△ 1-830-877-11	CORD, POWER	
709	1-769-175-21	CABLE, ANTENNA (WITH FILTER)	
710	1-830-686-11	CABLE ASSY (15PDSUBCONNECTORX2)	

REF. No.	PART No.	DESCRIPTIONRE	MARK
711	1-479-524-11	REMOTE COMMANDER (RM-SA003)	
712	* 2-651-139-01	CUSHION (UPPER)	
713	* 2-651-128-01	INDIVIDUAL CARTON	
714	* 2-632-670-01	BAG, POROTECTION	
715	* 2-651-140-01	CUSHION (LOWER)	
716	* 2-651-129-01	TRAY	
717	* 4-081-035-01	JOINT	

SECTION 7

ELECTRICAL PARTS LIST

NOTE:

The components identified \triangle marked are critical for safety.
Replace only with the part number specified.

Les composants identifiés par la marque \triangle sont critiques pour la sécurité.
Ne les remplacer que par une pièce portant le numéro spécifié.

When indicating parts by reference number, please include the board name.

- All variable and adjustable resistors have characteristic curve B, unless otherwise noted.
- Items marked " * " are not stocked since they are seldom required for routine service. Some delay should be anticipated when ordering these items.

RESISTORS

- All resistors are in ohms
- F : nonflammable

No.	#	Board	Type	Δ / [*]	Ref. No.	Part No.	Description	Remarks-1	Remarks-2
1		GE2	CAPACITOR		C8801	1-137-894-21	ELECT CHIP 470UF 20% 25V		
2		GE2	CAPACITOR		C8803	1-137-894-21	ELECT CHIP 470UF 20% 25V		
3		GE2	CAPACITOR		C8805	1-115-339-11	CERAMIC CHIP 0.1UF 10.00% 50V		
4		GE2	CAPACITOR		C8806	1-100-566-91	CERAMIC CHIP 0.1UF 10.00% 25V		
5		GE2	CAPACITOR		C8807	1-100-911-11	CERAMIC CHIP 4.7UF 10% 25V		
6		GE2	CAPACITOR		C8808	1-110-530-11	ELECT CHIP 1000UF 20% 6.3V		
7		GE2	CAPACITOR		C8814	1-162-970-11	CERAMIC CHIP 0.01UF 10.00% 25V		
8		GE2	CAPACITOR		C8819	1-100-566-91	CERAMIC CHIP 0.1UF 10.00% 25V		
9		GE2	CAPACITOR		C8823	1-127-573-11	CERAMIC CHIP 1UF 10% 16V		
10		GE2	CAPACITOR		C8825	1-126-392-11	ELECT CHIP 100UF 20.00% 6.3V		
11		GE2	CAPACITOR		C8826	1-107-826-11	CERAMIC CHIP 0.1UF 10.00% 16V		
12		GE2	CAPACITOR		C8829	1-162-970-11	CERAMIC CHIP 0.01UF 10.00% 25V		
13		GE2	CAPACITOR		C8831	1-162-970-11	CERAMIC CHIP 0.01UF 10.00% 25V		
14		GE2	CAPACITOR		C8832	1-100-911-11	CERAMIC CHIP 4.7UF 10% 25V		
15		GE2	CAPACITOR		C8837	1-100-566-91	CERAMIC CHIP 0.1UF 10.00% 25V		
16		GE2	CAPACITOR		C8838	1-115-339-11	CERAMIC CHIP 0.1UF 10.00% 50V		
17		GE2	CAPACITOR		C8839	1-115-339-11	CERAMIC CHIP 0.1UF 10.00% 50V		
18		GE2	CAPACITOR		C8840	1-117-681-11	ELECT CHIP 100UF 20.00% 16V		
19		GE2	CAPACITOR		C8841	1-110-530-11	ELECT CHIP 1000UF 20% 6.3V		
20		GE2	CAPACITOR		C8846	1-137-894-21	ELECT CHIP 470UF 20% 25V		
21		GE2	CAPACITOR		C8850	1-137-894-21	ELECT CHIP 470UF 20% 25V		
22		GE2	CAPACITOR		C8851	1-100-566-91	CERAMIC CHIP 0.1UF 10.00% 25V		
23		GE2	CAPACITOR		C8852	1-137-894-21	ELECT CHIP 470UF 20% 25V		
24		GE2	CAPACITOR		C8853	1-137-894-21	ELECT CHIP 470UF 20% 25V		
25		GE2	CAPACITOR		C8854	1-110-530-11	ELECT CHIP 1000UF 20% 6.3V		
26		GE2	CAPACITOR		C8856	1-100-566-91	CERAMIC CHIP 0.1UF 10.00% 25V		
27		GE2	CAPACITOR		C8857	1-117-681-11	ELECT CHIP 100UF 20.00% 16V		
28		GE2	CAPACITOR		C8858	1-117-681-11	ELECT CHIP 100UF 20.00% 16V		
29		GE2	CAPACITOR		C8859	1-115-339-11	CERAMIC CHIP 0.1UF 10.00% 50V		
30		GE2	CAPACITOR		C8860	1-115-339-11	CERAMIC CHIP 0.1UF 10.00% 50V		
31		GE2	CAPACITOR		C8861	1-117-681-11	ELECT CHIP 100UF 20.00% 16V		
32		GE2	CAPACITOR		C8862	1-126-392-11	ELECT CHIP 100UF 20.00% 6.3V		
33		GE2	CAPACITOR		C8863	1-100-566-91	CERAMIC CHIP 0.1UF 10.00% 25V		
34		GE2	CAPACITOR		C8866	1-117-681-11	ELECT CHIP 100UF 20.00% 16V		
35		GE2	CONNECTOR		CN8800	1-794-519-21	PIN, CONNECTOR (PC BOARD) 14P		
36		GE2	CONNECTOR	*	CN8801	1-818-033-21	PIN, CONNECTOR (PC BOARD)		
37		GE2	CONNECTOR	*	CN8802	1-764-094-21	PIN, CONNECTOR (PC BOARD) 9P		
38		GE2	DIODE		D8800	8-719-081-97	DIODE MMDL914T1		
39		GE2	DIODE		D8803	8-719-073-34	DIODE EC21QS03L-TE12L		
40		GE2	DIODE		D8805	8-719-073-34	DIODE EC21QS03L-TE12L		
41		GE2	DIODE		D8806	8-719-069-55	DIODE UDZSTE-175.6B		
42		GE2	DIODE		D8812	8-719-073-34	DIODE EC21QS03L-TE12L		
43		GE2	DIODE		D8813	8-719-073-34	DIODE EC21QS03L-TE12L		
44		GE2	DIODE		D8814	8-719-069-55	DIODE UDZSTE-175.6B		
45		GE2	DIODE		D8815	8-719-069-55	DIODE UDZSTE-175.6B		
46		GE2	DIODE		D8816	8-719-073-34	DIODE EC21QS03L-TE12L		
47		GE2	FUSE	Δ	F8801	1-576-603-11	FUSE 3.15A 24V		
48		GE2	FUSE	Δ	F8802	1-576-603-11	FUSE 3.15A 24V		
49		GE2	FERRITE BEAD		FB8800	1-469-775-21	FERRITE 0UH		
50		GE2	FERRITE BEAD		FB8802	1-469-775-21	FERRITE 0UH		
51		GE2	FERRITE BEAD		FB8803	1-469-775-21	FERRITE 0UH		
52		GE2	FERRITE BEAD		FB8804	1-469-775-21	FERRITE 0UH		
53		GE2	FERRITE BEAD		FB8805	1-469-775-21	FERRITE 0UH		
54		GE2	FERRITE BEAD		FB8806	1-469-775-21	FERRITE 0UH		
55		GE2	FERRITE BEAD		FB8808	1-469-775-21	FERRITE 0UH		
56		GE2	FERRITE BEAD		FB8810	1-469-775-21	FERRITE 0UH		
57		GE2	FERRITE BEAD		FB8811	1-469-775-21	FERRITE 0UH		
58		GE2	FERRITE BEAD		FB8812	1-469-775-21	FERRITE 0UH		
59		GE2	FERRITE BEAD		FB8813	1-469-775-21	FERRITE 0UH		
60		GE2	FERRITE BEAD		FB8814	1-469-775-21	FERRITE 0UH		
61		GE2	FERRITE BEAD		FB8816	1-469-775-21	FERRITE 0UH		
62		GE2	FERRITE BEAD		FB8817	1-469-775-21	FERRITE 0UH		
63		GE2	FERRITE BEAD		FB8818	1-469-775-21	FERRITE 0UH		
64		GE2	FERRITE BEAD		FB8819	1-469-775-21	FERRITE 0UH		
65		GE2	FERRITE BEAD		FB8820	1-469-775-21	FERRITE 0UH		
66		GE2	FERRITE BEAD		FB8821	1-469-775-21	FERRITE 0UH		
67		GE2	FERRITE BEAD		FB8823	1-469-775-21	FERRITE 0UH		
68		GE2	IC		IC8800	6-702-142-01	IC PQ1CY1032ZP		
69		GE2	IC		IC8802	6-704-407-01	IC PQ1CZ41H2ZPH		
70		GE2	IC		IC8803	6-705-468-01	IC BA33BC0FP-E2		
71		GE2	IC		IC8805	6-702-142-01	IC PQ1CY1032ZP		
72		GE2	IC		IC8806	8-759-460-79	IC BA09FP-E2		
73		GE2	IC		IC8810	6-706-999-01	IC BA09CC0WFP-E2		
74		GE2	COIL		L8800	1-416-606-11	INDUCTOR 47UH		

No.	#	Board	Type	Δ/\ast	Ref. No.	Part No.	Description	Remarks-1	Remarks-2
75		GE2	COIL		L8801	1-409-556-11	INDUCTOR 47UH		
76		GE2	COIL		L8802	1-424-976-21	INDUCTOR 47UH		
77		GE2	COIL		L8804	1-416-606-11	INDUCTOR 47UH		
78		GE2	COIL		L8805	1-424-976-21	INDUCTOR 47UH		
79		GE2	COIL		L8808	1-424-976-21	INDUCTOR 47UH		
80		GE2	COIL		L8809	1-416-606-11	INDUCTOR 47UH		
81		GE2	COIL		L8810	1-456-786-21	INDUCTOR 47UH		
82		GE2	COIL		L8811	1-412-058-11	INDUCTOR 10UH		
83		GE2	COIL		L8812	1-412-058-11	INDUCTOR 10UH		
84		GE2	COIL		L8813	1-412-058-11	INDUCTOR 10UH		
85		GE2	COIL		L8814	1-412-058-11	INDUCTOR 10UH		
86		GE2	TRANSISTOR		Q8803	6-550-549-01	TRANSISTOR DTC114EUAFT106		
87		GE2	TRANSISTOR		Q8804	8-729-422-33	TRANSISTOR 2SD601A-Q-TX		
88		GE2	TRANSISTOR		Q8805	6-550-549-01	TRANSISTOR DTC114EUAFT106		
89		GE2	TRANSISTOR		Q8806	8-729-422-33	TRANSISTOR 2SD601A-Q-TX		
90		GE2	RESISTOR		R8802	1-216-295-91	SHORT CHIP 0		
91		GE2	RESISTOR		R8803	1-216-295-91	SHORT CHIP 0		
92		GE2	RESISTOR		R8804	1-216-864-11	SHORT CHIP 0		
93		GE2	RESISTOR		R8807	1-216-821-11	METAL CHIP 1K 5% 1/10W		
94		GE2	RESISTOR		R8808	1-216-295-91	SHORT CHIP 0		
95		GE2	RESISTOR		R8816	1-218-861-11	METAL CHIP 3.9K 0.5% 1/10W		
96		GE2	RESISTOR		R8818	1-216-841-11	METAL CHIP 47K 5% 1/10W		
97		GE2	RESISTOR		R8819	1-216-295-91	SHORT CHIP 0		
98		GE2	RESISTOR		R8820	1-216-295-91	SHORT CHIP 0		
99		GE2	RESISTOR		R8821	1-218-850-11	METAL CHIP 1.3K 0.5% 1/10W		
100		GE2	RESISTOR		R8825	1-218-850-11	METAL CHIP 1.3K 0.5% 1/10W		
101		GE2	RESISTOR		R8826	1-218-861-11	METAL CHIP 3.9K 0.5% 1/10W		
102		GE2	RESISTOR		R8836	1-216-833-11	METAL CHIP 10K 5% 1/10W		
103		GE2	RESISTOR		R8837	1-216-833-11	METAL CHIP 10K 5% 1/10W		
104		GE2	RESISTOR		R8838	1-216-833-11	METAL CHIP 10K 5% 1/10W		
105		GE2	RESISTOR		R8840	1-216-833-11	METAL CHIP 10K 5% 1/10W		
106		GE2	RESISTOR		R8841	1-216-295-91	SHORT CHIP 0		
107		GE2	RESISTOR		R8848	1-216-295-91	SHORT CHIP 0		
108		GE2	RESISTOR		R8853	1-218-865-11	METAL CHIP 5.6K 0.5% 1/10W		
109		GE2	RESISTOR		R8854	1-218-887-11	METAL CHIP 47K 0.5% 1/10W		
110		GE2	RESISTOR		R8855	1-216-295-91	SHORT CHIP 0		
111		GE2	RESISTOR		R8856	1-218-857-11	METAL CHIP 2.7K 0.5% 1/10W		
112		GE2	RESISTOR		R8857	1-218-861-11	METAL CHIP 3.9K 0.5% 1/10W		
113		GE2	RESISTOR		R8862	1-216-864-11	SHORT CHIP 0		
114		GE2	RESISTOR		R8865	1-216-295-91	SHORT CHIP 0		
115		GE2	RESISTOR		R8866	1-216-295-91	SHORT CHIP 0		
116		GE2	RESISTOR		R8867	1-216-295-91	SHORT CHIP 0		
117		GE2	RESISTOR		R8868	1-216-295-91	SHORT CHIP 0		
118		GE2	RESISTOR		R8869	1-216-295-91	SHORT CHIP 0		
119		A2G	CAPACITOR		C2500	1-131-661-21	ELECT CHIP 100UF 20% 10V		
120		A2G	CAPACITOR		C2501	1-107-826-11	CERAMIC CHIP 0.1UF 10.00% 16V		
121		A2G	CAPACITOR		C2502	1-107-826-11	CERAMIC CHIP 0.1UF 10.00% 16V		
122		A2G	CAPACITOR		C2504	1-107-826-11	CERAMIC CHIP 0.1UF 10.00% 16V		
123		A2G	CAPACITOR		C2506	1-125-891-11	CERAMIC CHIP 0.47UF 10.00% 10V		
124		A2G	CAPACITOR		C2507	1-162-970-11	CERAMIC CHIP 0.01UF 10.00% 25V		
125		A2G	CAPACITOR		C2508	1-162-970-11	CERAMIC CHIP 0.01UF 10.00% 25V		
126		A2G	CAPACITOR		C2509	1-125-889-91	CERAMIC CHIP 2.2UF 10% 10V		
127		A2G	CAPACITOR		C2510	1-164-227-11	CERAMIC CHIP 0.022UF 10.00% 25V		
128		A2G	CAPACITOR		C2511	1-162-970-11	CERAMIC CHIP 0.01UF 10.00% 25V		
129		A2G	CAPACITOR		C2516	1-162-970-11	CERAMIC CHIP 0.01UF 10.00% 25V		
130		A2G	CAPACITOR		C2517	1-127-715-91	CERAMIC CHIP 0.22UF 10% 16V		
131		A2G	CAPACITOR		C2518	1-162-915-11	CERAMIC CHIP 10PF 0.50PF 50V		
132		A2G	CAPACITOR		C2519	1-126-394-11	ELECT CHIP 10UF 20.00% 16V		
133		A2G	CAPACITOR		C2520	1-107-826-11	CERAMIC CHIP 0.1UF 10.00% 16V		
134		A2G	CAPACITOR		C2521	1-162-970-11	CERAMIC CHIP 0.01UF 10.00% 25V		
135		A2G	CAPACITOR		C2522	1-126-396-11	ELECT CHIP 47UF 20.00% 16V		
136		A2G	CAPACITOR		C2523	1-107-826-11	CERAMIC CHIP 0.1UF 10.00% 16V		
137		A2G	CAPACITOR		C2524	1-126-396-11	ELECT CHIP 47UF 20.00% 16V		
138		A2G	CAPACITOR		C2529	1-127-760-11	CERAMIC CHIP 4.7UF 10% 6.3V		
139		A2G	CAPACITOR		C2530	1-162-970-11	CERAMIC CHIP 0.01UF 10.00% 25V		
140		A2G	CAPACITOR		C2531	1-126-396-11	ELECT CHIP 47UF 20.00% 16V		
141		A2G	CAPACITOR		C2532	1-126-396-11	ELECT CHIP 47UF 20.00% 16V		
142		A2G	CAPACITOR		C2533	1-162-970-11	CERAMIC CHIP 0.01UF 10.00% 25V		
143		A2G	CAPACITOR		C2534	1-107-826-11	CERAMIC CHIP 0.1UF 10.00% 16V		
144		A2G	CAPACITOR		C2535	1-126-396-11	ELECT CHIP 47UF 20.00% 16V		
145		A2G	CAPACITOR		C2536	1-107-826-11	CERAMIC CHIP 0.1UF 10.00% 16V		
146		A2G	CAPACITOR		C2537	1-126-396-11	ELECT CHIP 47UF 20.00% 16V		
147		A2G	CAPACITOR		C2558	1-126-396-11	ELECT CHIP 47UF 20.00% 16V		
148		A2G	CAPACITOR		C2559	1-125-891-11	CERAMIC CHIP 0.47UF 10.00% 10V		

No.	#	Board	Type	Δ/V^*	Ref. No.	Part No.	Description	Remarks-1	Remarks-2
149		A2G	CAPACITOR		C2560	1-125-891-11	CERAMIC CHIP 0.47UF 10.00% 10V		
150		A2G	CAPACITOR		C2591	1-126-394-11	ELECT CHIP 10UF 20.00% 16V		
151		A2G	CAPACITOR		C2608	1-165-870-21	ELECT CHIP 100UF 20% 6.3V		
152		A2G	CAPACITOR		C2609	1-107-826-11	CERAMIC CHIP 0.1UF 10.00% 16V		
153		A2G	CAPACITOR		C6018	1-100-566-91	CERAMIC CHIP 0.1UF 10.00% 25V		
154		A2G	CAPACITOR		C6019	1-100-566-91	CERAMIC CHIP 0.1UF 10.00% 25V		
155		A2G	CAPACITOR		C7800	1-162-964-11	CERAMIC CHIP 0.001UF 10.00% 50V		
156		A2G	CAPACITOR		C7802	1-127-715-91	CERAMIC CHIP 0.22UF 10% 16V		
157		A2G	CAPACITOR		C7803	1-127-715-91	CERAMIC CHIP 0.22UF 10% 16V		
158		A2G	CAPACITOR		C7804	1-124-779-00	ELECT CHIP 10UF 20.00% 16V		
159		A2G	CAPACITOR		C7810	1-126-204-11	ELECT CHIP 47UF 20.00% 16V		
160		A2G	CAPACITOR		C7812	1-100-566-91	CERAMIC CHIP 0.1UF 10.00% 25V		
161		A2G	CAPACITOR		C7813	1-124-779-00	ELECT CHIP 10UF 20.00% 16V		
162		A2G	CAPACITOR		C7815	1-126-396-11	ELECT CHIP 47UF 20.00% 16V		
163		A2G	CAPACITOR		C7817	1-164-004-11	CERAMIC CHIP 0.1UF 10.00% 25V		
164		A2G	CAPACITOR		C7818	1-164-004-11	CERAMIC CHIP 0.1UF 10.00% 25V		
165		A2G	CAPACITOR		C7819	1-162-966-11	CERAMIC CHIP 0.0022UF 10.00% 50V		
166		A2G	CAPACITOR		C7821	1-107-823-11	CERAMIC CHIP 0.47UF 10.00% 16V		
167		A2G	CAPACITOR		C7822	1-107-823-11	CERAMIC CHIP 0.47UF 10.00% 16V		
168		A2G	CAPACITOR		C7823	1-124-779-00	ELECT CHIP 10UF 20.00% 16V		
169		A2G	CAPACITOR		C7825	1-162-906-11	CERAMIC CHIP 1.5PF 0.25PF 50V		
170		A2G	CAPACITOR		C7826	1-162-966-11	CERAMIC CHIP 0.0022UF 10.00% 50V		
171		A2G	CAPACITOR		C7827	1-162-966-11	CERAMIC CHIP 0.0022UF 10.00% 50V		
172		A2G	CAPACITOR		C7828	1-162-966-11	CERAMIC CHIP 0.0022UF 10.00% 50V		
173		A2G	CAPACITOR		C7829	1-162-966-11	CERAMIC CHIP 0.0022UF 10.00% 50V		
174		A2G	CAPACITOR		C7831	1-165-908-11	CERAMIC CHIP 1UF 10% 10V		
175		A2G	CAPACITOR		C7833	1-162-906-11	CERAMIC CHIP 1.5PF 0.25PF 50V		
176		A2G	CAPACITOR		C7834	1-162-927-11	CERAMIC CHIP 100PF 5.00% 50V		
177		A2G	CAPACITOR		C7835	1-162-927-11	CERAMIC CHIP 100PF 5.00% 50V		
178		A2G	CAPACITOR		C7836	1-162-968-11	CERAMIC CHIP 0.0047UF 10.00% 50V		
179		A2G	CAPACITOR		C7838	1-126-396-11	ELECT CHIP 47UF 20.00% 16V		
180		A2G	CAPACITOR		C7839	1-126-394-11	ELECT CHIP 10UF 20.00% 16V		
181		A2G	CAPACITOR		C7840	1-164-004-11	CERAMIC CHIP 0.1UF 10.00% 25V		
182		A2G	CAPACITOR		C7841	1-126-394-11	ELECT CHIP 10UF 20.00% 16V		
183		A2G	CAPACITOR		C7842	1-164-004-11	CERAMIC CHIP 0.1UF 10.00% 25V		
184		A2G	CAPACITOR		C7843	1-162-966-11	CERAMIC CHIP 0.0022UF 10.00% 50V		
185		A2G	CAPACITOR		C7844	1-162-966-11	CERAMIC CHIP 0.0022UF 10.00% 50V		
186		A2G	CAPACITOR		C7845	1-162-966-11	CERAMIC CHIP 0.0022UF 10.00% 50V		
187		A2G	CAPACITOR		C7846	1-126-394-11	ELECT CHIP 10UF 20.00% 16V		
188		A2G	CAPACITOR		C7847	1-126-394-11	ELECT CHIP 10UF 20.00% 16V		
189		A2G	CAPACITOR		C7848	1-126-396-11	ELECT CHIP 47UF 20.00% 16V		
190		A2G	CAPACITOR		C7850	1-164-004-11	CERAMIC CHIP 0.1UF 10.00% 25V		
191		A2G	CAPACITOR		C7851	1-125-891-11	CERAMIC CHIP 0.47UF 10.00% 10V		
192		A2G	CAPACITOR		C7852	1-126-396-11	ELECT CHIP 47UF 20.00% 16V		
193		A2G	CAPACITOR		C7853	1-164-004-11	CERAMIC CHIP 0.1UF 10.00% 25V		
194		A2G	CAPACITOR		C7854	1-126-394-11	ELECT CHIP 10UF 20.00% 16V		
195		A2G	CAPACITOR		C7855	1-127-573-11	CERAMIC CHIP 1UF 10% 16V		
196		A2G	CAPACITOR		C7856	1-100-566-91	CERAMIC CHIP 0.1UF 10.00% 25V		
197		A2G	CAPACITOR		C7857	1-127-573-11	CERAMIC CHIP 1UF 10% 16V		
198		A2G	CAPACITOR		C7858	1-126-394-11	ELECT CHIP 10UF 20.00% 16V		
199		A2G	CAPACITOR		C7859	1-127-715-91	CERAMIC CHIP 0.22UF 10% 16V		
200		A2G	CAPACITOR		C7860	1-127-715-91	CERAMIC CHIP 0.22UF 10% 16V		
201		A2G	CAPACITOR		C7861	1-126-401-21	ELECT CHIP 1UF 20.00% 50V		
202		A2G	CAPACITOR		C7864	1-127-715-91	CERAMIC CHIP 0.22UF 10% 16V		
203		A2G	CAPACITOR		C7865	1-127-715-91	CERAMIC CHIP 0.22UF 10% 16V		
204		A2G	CAPACITOR		C7868	1-164-004-11	CERAMIC CHIP 0.1UF 10.00% 25V		
205		A2G	CAPACITOR		C7869	1-100-912-11	CERAMIC CHIP 1UF 10% 25V		
206		A2G	CAPACITOR		C7870	1-100-912-11	CERAMIC CHIP 1UF 10% 25V		
207		A2G	CAPACITOR		C7871	1-100-912-11	CERAMIC CHIP 1UF 10% 25V		
208		A2G	CAPACITOR		C7872	1-100-912-11	CERAMIC CHIP 1UF 10% 25V		
209		A2G	CAPACITOR		C7873	1-100-912-11	CERAMIC CHIP 1UF 10% 25V		
210		A2G	CAPACITOR		C7874	1-128-953-31	ELECT 470UF 20% 25V		
211		A2G	CAPACITOR		C7875	1-128-536-11	ELECT CHIP 100UF 20.00% 25V		
212		A2G	CAPACITOR		C7876	1-126-394-11	ELECT CHIP 10UF 20.00% 16V		
213		A2G	CAPACITOR		C7877	1-100-566-91	CERAMIC CHIP 0.1UF 10.00% 25V		
214		A2G	CAPACITOR		C7878	1-124-779-00	ELECT CHIP 10UF 20.00% 16V		
215		A2G	CAPACITOR		C7879	1-162-919-11	CERAMIC CHIP 22PF 5.00% 50V		
216		A2G	CAPACITOR		C7880	1-162-919-11	CERAMIC CHIP 22PF 5.00% 50V		
217		A2G	CAPACITOR		C7881	1-115-340-11	CERAMIC CHIP 0.22UF 10.00% 25V		
218		A2G	CAPACITOR		C7882	1-115-340-11	CERAMIC CHIP 0.22UF 10.00% 25V		
219		A2G	CAPACITOR		C7883	1-162-970-11	CERAMIC CHIP 0.01UF 10.00% 25V		
220		A2G	CAPACITOR		C7884	1-162-970-11	CERAMIC CHIP 0.01UF 10.00% 25V		
221		A2G	CAPACITOR		C7886	1-100-912-11	CERAMIC CHIP 1UF 10% 25V		
222		A2G	CAPACITOR		C7887	1-100-912-11	CERAMIC CHIP 1UF 10% 25V		

No.	#	Board	Type	Δ/J^*	Ref. No.	Part No.	Description	Remarks-1	Remarks-2
223		A2G	CAPACITOR		C7888	1-162-970-11	CERAMIC CHIP 0.01UF 10.00% 25V		
224		A2G	CAPACITOR		C7889	1-162-970-11	CERAMIC CHIP 0.01UF 10.00% 25V		
225		A2G	CAPACITOR		C7891	1-100-912-11	CERAMIC CHIP 1UF 10% 25V		
226		A2G	CAPACITOR		C7892	1-100-912-11	CERAMIC CHIP 1UF 10% 25V		
227		A2G	CAPACITOR		C7893	1-115-340-11	CERAMIC CHIP 0.22UF 10.00% 25V		
228		A2G	CAPACITOR		C7894	1-115-340-11	CERAMIC CHIP 0.22UF 10.00% 25V		
229		A2G	CAPACITOR		C7895	1-126-396-11	ELECT CHIP 47UF 20.00% 16V		
230		A2G	CAPACITOR		C7896	1-126-396-11	ELECT CHIP 47UF 20.00% 16V		
231		A2G	CAPACITOR		C7898	1-162-970-11	CERAMIC CHIP 0.01UF 10.00% 25V		
232		A2G	CAPACITOR		C7899	1-162-970-11	CERAMIC CHIP 0.01UF 10.00% 25V		
233		A2G	CAPACITOR		C7900	1-100-912-11	CERAMIC CHIP 1UF 10% 25V		
234		A2G	CAPACITOR		C7901	1-100-912-11	CERAMIC CHIP 1UF 10% 25V		
235		A2G	CAPACITOR		C7902	1-100-597-91	CERAMIC CHIP 0.1UF 10% 25V		
236		A2G	CAPACITOR		C7903	1-128-953-31	ELECT 470UF 20% 25V		
237		A2G	CAPACITOR		C7904	1-100-597-91	CERAMIC CHIP 0.1UF 10% 25V		
238		A2G	CAPACITOR		C7905	1-164-230-11	CERAMIC CHIP 220PF 5.00% 50V		
239		A2G	CAPACITOR		C7907	1-162-970-11	CERAMIC CHIP 0.01UF 10.00% 25V		
240		A2G	CAPACITOR		C7908	1-162-970-11	CERAMIC CHIP 0.01UF 10.00% 25V		
241		A2G	CAPACITOR		C7909	1-115-340-11	CERAMIC CHIP 0.22UF 10.00% 25V		
242		A2G	CAPACITOR		C7912	1-115-340-11	CERAMIC CHIP 0.22UF 10.00% 25V		
243		A2G	CAPACITOR		C7913	1-100-591-91	CERAMIC CHIP 1UF 10% 25V		
244		A2G	CAPACITOR		C7914	1-100-591-91	CERAMIC CHIP 1UF 10% 25V		
245		A2G	CAPACITOR		C7917	1-164-230-11	CERAMIC CHIP 220PF 5.00% 50V		
246		A2G	CAPACITOR		C7918	1-164-230-11	CERAMIC CHIP 220PF 5.00% 50V		
247		A2G	CAPACITOR		C7919	1-164-230-11	CERAMIC CHIP 220PF 5.00% 50V		
248		A2G	CAPACITOR		C7920	1-164-230-11	CERAMIC CHIP 220PF 5.00% 50V		
249		A2G	CAPACITOR		C7921	1-100-591-91	CERAMIC CHIP 1UF 10% 25V		
250		A2G	CAPACITOR		C7922	1-107-826-11	CERAMIC CHIP 0.1UF 10.00% 16V		
251		A2G	CAPACITOR		C7927	1-162-964-11	CERAMIC CHIP 0.001UF 10.00% 50V		
252		A2G	CAPACITOR		C7928	1-162-964-11	CERAMIC CHIP 0.001UF 10.00% 50V		
253		A2G	CAPACITOR		C7929	1-165-908-11	CERAMIC CHIP 1UF 10% 10V		
254		A2G	CAPACITOR		C7930	1-165-908-11	CERAMIC CHIP 1UF 10% 10V		
255		A2G	CAPACITOR		C7931	1-162-964-11	CERAMIC CHIP 0.001UF 10.00% 50V		
256		A2G	CAPACITOR		C7932	1-162-964-11	CERAMIC CHIP 0.001UF 10.00% 50V		
257		A2G	CAPACITOR		C7933	1-127-715-91	CERAMIC CHIP 0.22UF 10% 16V		
258		A2G	CAPACITOR		C7934	1-127-715-91	CERAMIC CHIP 0.22UF 10% 16V		
259		A2G	CAPACITOR		C7935	1-127-715-91	CERAMIC CHIP 0.22UF 10% 16V		
260		A2G	CAPACITOR		C7936	1-127-715-91	CERAMIC CHIP 0.22UF 10% 16V		
261		A2G	CAPACITOR		C7939	1-128-396-11	ELECT CHIP 470UF 20% 10V		
262		A2G	CAPACITOR		C7940	1-127-715-91	CERAMIC CHIP 0.22UF 10% 16V		
263		A2G	CAPACITOR		C7941	1-127-715-91	CERAMIC CHIP 0.22UF 10% 16V		
264		A2G	CAPACITOR		C7942	1-100-597-91	CERAMIC CHIP 0.1UF 10% 25V		
265		A2G	CAPACITOR		C7962	1-128-536-11	ELECT CHIP 100UF 20.00% 25V		
266		A2G	CAPACITOR		C8426	1-107-826-11	CERAMIC CHIP 0.1UF 10.00% 16V		
267		A2G	CAPACITOR		C8427	1-126-398-11	ELECT CHIP 4.7UF 20.00% 35V		
268		A2G	CAPACITOR		C8429	1-126-396-11	ELECT CHIP 47UF 20.00% 16V		
269		A2G	CAPACITOR		C8430	1-100-566-91	CERAMIC CHIP 0.1UF 10.00% 25V		
270		A2G	CAPACITOR		C8431	1-163-037-11	CERAMIC CHIP 0.022UF 10.00% 50V		
271		A2G	CAPACITOR		C8432	1-126-402-11	ELECT CHIP 2.2UF 20.00% 50V		
272		A2G	CAPACITOR		C8433	1-126-404-11	ELECT CHIP 4.7UF 20.00% 50V		
273		A2G	CAPACITOR		C8501	1-165-908-11	CERAMIC CHIP 1UF 10% 10V		
274		A2G	CAPACITOR		C8502	1-165-908-11	CERAMIC CHIP 1UF 10% 10V		
275		A2G	CAPACITOR		C8606	1-162-970-11	CERAMIC CHIP 0.01UF 10.00% 25V		
276		A2G	CAPACITOR		C8608	1-127-760-11	CERAMIC CHIP 4.7UF 10% 6.3V		
277		A2G	CAPACITOR		C8609	1-162-970-11	CERAMIC CHIP 0.01UF 10.00% 25V		
278		A2G	CAPACITOR		C8700	1-126-396-11	ELECT CHIP 47UF 20.00% 16V		
279		A2G	CAPACITOR		C8701	1-125-891-11	CERAMIC CHIP 0.47UF 10.00% 10V		
280		A2G	CAPACITOR		C9001	1-125-891-11	CERAMIC CHIP 0.47UF 10.00% 10V		
281		A2G	CAPACITOR		C9002	1-125-891-11	CERAMIC CHIP 0.47UF 10.00% 10V		
282		A2G	CAPACITOR		C9003	1-100-743-91	CERAMIC CHIP 2.2UF 20% 16V		
283		A2G	CAPACITOR		C9004	1-100-743-91	CERAMIC CHIP 2.2UF 20% 16V		
284		A2G	CAPACITOR		C9005	1-100-743-91	CERAMIC CHIP 2.2UF 20% 16V		
285		A2G	CAPACITOR		C9006	1-100-743-91	CERAMIC CHIP 2.2UF 20% 16V		
286		A2G	CAPACITOR		C9007	1-100-743-91	CERAMIC CHIP 2.2UF 20% 16V		
287		A2G	CAPACITOR		C9008	1-100-743-91	CERAMIC CHIP 2.2UF 20% 16V		
288		A2G	CAPACITOR		C9060	1-162-964-11	CERAMIC CHIP 0.001UF 10.00% 50V		
289		A2G	CAPACITOR		C9061	1-165-908-11	CERAMIC CHIP 1UF 10% 10V		
290		A2G	CAPACITOR		C9062	1-162-964-11	CERAMIC CHIP 0.001UF 10.00% 50V		
291		A2G	CAPACITOR		C9063	1-165-908-11	CERAMIC CHIP 1UF 10% 10V		
292		A2G	CAPACITOR		C9064	1-162-964-11	CERAMIC CHIP 0.001UF 10.00% 50V		
293		A2G	CAPACITOR		C9065	1-165-908-11	CERAMIC CHIP 1UF 10% 10V		
294		A2G	CAPACITOR		C9066	1-162-964-11	CERAMIC CHIP 0.001UF 10.00% 50V		
295		A2G	CAPACITOR		C9067	1-165-908-11	CERAMIC CHIP 1UF 10% 10V		
296		A2G	CAPACITOR		C9559	1-125-889-91	CERAMIC CHIP 2.2UF 10% 10V		

No.	#	Board	Type	Δ / [*]	Ref. No.	Part No.	Description	Remarks-1	Remarks-2
297		A2G	CAPACITOR		C9560	1-125-889-91	CERAMIC CHIP 2.2UF 10% 10V		
298		A2G	CAPACITOR		C9561	1-125-891-11	CERAMIC CHIP 0.47UF 10.00% 10V		
299		A2G	CAPACITOR		C9562	1-125-889-91	CERAMIC CHIP 2.2UF 10% 10V		
300		A2G	CAPACITOR		C9563	1-100-566-91	CERAMIC CHIP 0.1UF 10.00% 25V		
301		A2G	CAPACITOR		C9565	1-127-861-11	CERAMIC CHIP 2.2UF 10% 16V		
302		A2G	CAPACITOR		C9567	1-127-861-11	CERAMIC CHIP 2.2UF 10% 16V		
303		A2G	CAPACITOR		C9568	1-127-861-11	CERAMIC CHIP 2.2UF 10% 16V		
304		A2G	CAPACITOR		C9569	1-127-861-11	CERAMIC CHIP 2.2UF 10% 16V		
305		A2G	CAPACITOR		C9570	1-117-681-11	ELECT CHIP 100UF 20.00% 16V		
306		A2G	CAPACITOR		C9573	1-162-921-11	CERAMIC CHIP 33PF 5.00% 50V		
307		A2G	CAPACITOR		C9574	1-126-396-11	ELECT CHIP 47UF 20.00% 16V		
308		A2G	CAPACITOR		C9575	1-162-921-11	CERAMIC CHIP 33PF 5.00% 50V		
309		A2G	CAPACITOR		C9576	1-126-197-11	ELECT CHIP 10UF 20.00% 50V		
310		A2G	CAPACITOR		C9578	1-162-925-11	CERAMIC CHIP 68PF 5.00% 50V		
311		A2G	CAPACITOR		C9579	1-162-925-11	CERAMIC CHIP 68PF 5.00% 50V		
312		A2G	CAPACITOR		C9580	1-125-889-91	CERAMIC CHIP 2.2UF 10% 10V		
313		A2G	CAPACITOR		C9582	1-125-889-91	CERAMIC CHIP 2.2UF 10% 10V		
314		A2G	CAPACITOR		C9585	1-125-889-91	CERAMIC CHIP 2.2UF 10% 10V		
315		A2G	CAPACITOR		C9588	1-127-715-91	CERAMIC CHIP 0.22UF 10% 16V		
316		A2G	CAPACITOR		C9589	1-162-968-11	CERAMIC CHIP 0.0047UF 10.00% 50V		
317		A2G	CAPACITOR		C9590	1-165-870-21	ELECT CHIP 100UF 20% 6.3V		
318		A2G	CAPACITOR		C9591	1-162-921-11	CERAMIC CHIP 33PF 5.00% 50V		
319		A2G	CAPACITOR		C9592	1-162-921-11	CERAMIC CHIP 33PF 5.00% 50V		
320		A2G	CAPACITOR		C9603	1-124-779-00	ELECT CHIP 10UF 20.00% 16V		
321		A2G	CAPACITOR		C9604	1-127-715-91	CERAMIC CHIP 0.22UF 10% 16V		
322		A2G	CAPACITOR		C9605	1-127-715-91	CERAMIC CHIP 0.22UF 10% 16V		
323		A2G	CAPACITOR		C9606	1-162-964-11	CERAMIC CHIP 0.001UF 10.00% 50V		
324		A2G	CAPACITOR		C9607	1-127-573-11	CERAMIC CHIP 1UF 10% 16V		
325		A2G	CAPACITOR		C9608	1-127-573-11	CERAMIC CHIP 1UF 10% 16V		
326		A2G	CAPACITOR		C9609	1-162-966-11	CERAMIC CHIP 0.0022UF 10.00% 50V		
327		A2G	CAPACITOR		C9610	1-162-927-11	CERAMIC CHIP 100PF 5.00% 50V		
328		A2G	CAPACITOR		C9614	1-127-715-91	CERAMIC CHIP 0.22UF 10% 16V		
329		A2G	CAPACITOR		C9615	1-127-861-11	CERAMIC CHIP 2.2UF 10% 16V		
330		A2G	CAPACITOR		C9616	1-125-889-91	CERAMIC CHIP 2.2UF 10% 10V		
331		A2G	CAPACITOR		C9617	1-127-861-11	CERAMIC CHIP 2.2UF 10% 16V		
332		A2G	CAPACITOR		C9620	1-135-960-91	CERAMIC CHIP 10UF 10% 25V		
333		A2G	CAPACITOR		C9621	1-135-960-91	CERAMIC CHIP 10UF 10% 25V		
334		A2G	CAPACITOR		C9622	1-100-566-91	CERAMIC CHIP 0.1UF 10.00% 25V		
335		A2G	CAPACITOR		C9623	1-100-566-91	CERAMIC CHIP 0.1UF 10.00% 25V		
336		A2G	CAPACITOR		C9624	1-126-396-11	ELECT CHIP 47UF 20.00% 16V		
337		A2G	CAPACITOR		C9626	1-100-566-91	CERAMIC CHIP 0.1UF 10.00% 25V		
338		A2G	CAPACITOR		C9627	1-100-566-91	CERAMIC CHIP 0.1UF 10.00% 25V		
339		A2G	CAPACITOR		C9628	1-100-566-91	CERAMIC CHIP 0.1UF 10.00% 25V		
340		A2G	CAPACITOR		C9634	1-128-536-11	ELECT CHIP 100UF 20.00% 25V		
341		A2G	CAPACITOR		C9640	1-127-573-11	CERAMIC CHIP 1UF 10% 16V		
342		A2G	CAPACITOR		C9641	1-125-889-91	CERAMIC CHIP 2.2UF 10% 10V		
343		A2G	CAPACITOR		C9651	1-135-960-91	CERAMIC CHIP 10UF 10% 25V		
344		A2G	CAPACITOR		C9652	1-127-692-11	CERAMIC CHIP 10UF 10% 16V		
345		A2G	CAPACITOR		C9701	1-100-743-91	CERAMIC CHIP 2.2UF 20% 16V		
346		A2G	CAPACITOR		C9702	1-100-743-91	CERAMIC CHIP 2.2UF 20% 16V		
347		A2G	CAPACITOR		C9703	1-100-743-91	CERAMIC CHIP 2.2UF 20% 16V		
348		A2G	CAPACITOR		C9704	1-100-566-91	CERAMIC CHIP 0.1UF 10.00% 25V		
349		A2G	CAPACITOR		C9705	1-100-566-91	CERAMIC CHIP 0.1UF 10.00% 25V		
350		A2G	CAPACITOR		C9706	1-100-743-91	CERAMIC CHIP 2.2UF 20% 16V		
351		A2G	CAPACITOR		C9707	1-100-743-91	CERAMIC CHIP 2.2UF 20% 16V		
352		A2G	CAPACITOR		C9708	1-100-743-91	CERAMIC CHIP 2.2UF 20% 16V		
353		A2G	CAPACITOR		C9709	1-127-573-11	CERAMIC CHIP 1UF 10% 16V		
354		A2G	CAPACITOR		C9710	1-127-573-11	CERAMIC CHIP 1UF 10% 16V		
355		A2G	CAPACITOR		C9712	1-127-573-11	CERAMIC CHIP 1UF 10% 16V		
356		A2G	CAPACITOR		C9713	1-124-779-00	ELECT CHIP 10UF 20.00% 16V		
357		A2G	CAPACITOR		C9714	1-100-566-91	CERAMIC CHIP 0.1UF 10.00% 25V		
358		A2G	CONNECTOR		CN7801	1-573-290-21	PIN, CONNECTOR (1.5MM) (SMD)4P		
359		A2G	CONNECTOR	*	CN7802	1-764-250-11	PIN, CONNECTOR (PC BOARD) 4P		
360		A2G	CONNECTOR	*	CN8530	1-819-390-21	FFC/FPC CONNECTOR (ZIF) 49P		
361		A2G	CONNECTOR	*	CN8602	1-573-768-21	PIN, CONNECTOR (1.5MM) (SMD)5P		
362		A2G	CONNECTOR		CN8603	1-573-806-21	PIN, CONNECTOR (1.5MM) (SMD)6P		
363		A2G	CONNECTOR		CN8700	1-816-587-21	PIN, CONNECTOR (PC BOARD) 15P		
364		A2G	CONNECTOR		CN8701	1-764-081-21	PIN, CONNECTOR (PC BOARD) 9P		
365		A2G	CONNECTOR		CN9405	1-794-032-21	PIN, CONNECTOR (PC BOARD) 11P		
366		A2G	DIODE		D6013	6-500-551-01	DIODE MM3Z11VT1		
367		A2G	DIODE		D6014	8-719-081-97	DIODE MMDL914T1		
368		A2G	DIODE		D6015	8-719-081-97	DIODE MMDL914T1		
369		A2G	DIODE		D6016	8-719-081-97	DIODE MMDL914T1		
370		A2G	DIODE		D6017	8-719-081-97	DIODE MMDL914T1		

No.	#	Board	Type	Δ / [*]	Ref. No.	Part No.	Description	Remarks-1	Remarks-2
371		A2G	DIODE		D6020	8-719-081-97	DIODE MMDL914T1		
372		A2G	DIODE		D7800	8-719-081-97	DIODE MMDL914T1		
373		A2G	DIODE		D7801	8-719-977-28	DIODE DTZ10B		
374		A2G	DIODE		D7802	8-719-977-28	DIODE DTZ10B		
375		A2G	DIODE		D7804	8-719-081-97	DIODE MMDL914T1		
376		A2G	DIODE		D7807	8-719-069-60	DIODE UDZSTE-179.1B		
377		A2G	DIODE		D7808	8-719-081-97	DIODE MMDL914T1		
378		A2G	DIODE		D7809	8-719-081-97	DIODE MMDL914T1		
379		A2G	DIODE		D7810	8-719-081-97	DIODE MMDL914T1		
380		A2G	DIODE		D7811	8-719-081-97	DIODE MMDL914T1		
381		A2G	DIODE		D7812	6-500-884-01	DIODE P6SMBJ30A-5		
382		A2G	DIODE		D7813	6-500-884-01	DIODE P6SMBJ30A-5		
383		A2G	DIODE		D7814	8-719-081-97	DIODE MMDL914T1		
384		A2G	DIODE		D7816	6-500-884-01	DIODE P6SMBJ30A-5		
385		A2G	DIODE		D7817	6-500-884-01	DIODE P6SMBJ30A-5		
386		A2G	DIODE		D7824	8-719-081-97	DIODE MMDL914T1		
387		A2G	DIODE		D7850	8-719-081-97	DIODE MMDL914T1		
388		A2G	DIODE		D7860	8-719-081-97	DIODE MMDL914T1		
389		A2G	DIODE		D7861	8-719-081-97	DIODE MMDL914T1		
390		A2G	DIODE		D7862	8-719-081-97	DIODE MMDL914T1		
391		A2G	DIODE		D7864	8-719-081-97	DIODE MMDL914T1		
392		A2G	DIODE		D7889	8-719-081-97	DIODE MMDL914T1		
393		A2G	DIODE		D7890	8-719-081-97	DIODE MMDL914T1		
394		A2G	DIODE		D8409	6-500-551-01	DIODE MM3Z11VT1		
395		A2G	DIODE		D8410	6-500-551-01	DIODE MM3Z11VT1		
396		A2G	DIODE		D8411	8-719-056-82	DIODE UDZ-TE-17-6.2B		
397		A2G	DIODE		D8412	8-719-056-82	DIODE UDZ-TE-17-6.2B		
398		A2G	DIODE		D8413	8-719-056-82	DIODE UDZ-TE-17-6.2B		
399		A2G	DIODE		D9009	8-719-977-28	DIODE DTZ10B		
400		A2G	DIODE		D9010	8-719-977-28	DIODE DTZ10B		
401		A2G	DIODE		D9011	8-719-977-28	DIODE DTZ10B		
402		A2G	DIODE		D9012	8-719-977-28	DIODE DTZ10B		
403		A2G	DIODE		D9013	8-719-977-28	DIODE DTZ10B		
404		A2G	DIODE		D9014	8-719-977-28	DIODE DTZ10B		
405		A2G	DIODE		D9015	8-719-977-28	DIODE DTZ10B		
406		A2G	DIODE		D9016	8-719-977-28	DIODE DTZ10B		
407		A2G	DIODE		D9050	8-719-977-28	DIODE DTZ10B		
408		A2G	DIODE		D9051	8-719-977-28	DIODE DTZ10B		
409		A2G	DIODE		D9052	8-719-977-28	DIODE DTZ10B		
410		A2G	DIODE		D9053	8-719-977-28	DIODE DTZ10B		
411		A2G	DIODE		D9526	8-719-069-60	DIODE UDZSTE-179.1B		
412		A2G	DIODE		D9527	8-719-069-60	DIODE UDZSTE-179.1B		
413		A2G	DIODE		D9528	8-719-069-60	DIODE UDZSTE-179.1B		
414		A2G	DIODE		D9529	8-719-069-60	DIODE UDZSTE-179.1B		
415		A2G	DIODE		D9530	8-719-069-60	DIODE UDZSTE-179.1B		
416		A2G	DIODE		D9531	8-719-069-60	DIODE UDZSTE-179.1B		
417		A2G	DIODE		D9532	8-719-069-60	DIODE UDZSTE-179.1B		
418		A2G	DIODE		D9533	8-719-069-60	DIODE UDZSTE-179.1B		
419		A2G	DIODE		D9537	8-719-069-55	DIODE UDZSTE-175.6B		
420		A2G	DIODE		D9540	8-719-069-60	DIODE UDZSTE-179.1B		
421		A2G	DIODE		D9541	8-719-069-60	DIODE UDZSTE-179.1B		
422		A2G	DIODE		D9543	8-719-081-97	DIODE MMDL914T1		
423		A2G	DIODE		D9547	8-719-081-97	DIODE MMDL914T1		
424		A2G	FERRITE BEAD		FB7800	1-500-283-11	FERRITE 0UH		
425		A2G	FERRITE BEAD		FB7801	1-500-283-11	FERRITE 0UH		
426		A2G	FERRITE BEAD		FB7802	1-500-230-21	FERRITE 0UH		
427		A2G	FERRITE BEAD		FB7803	1-500-230-21	FERRITE 0UH		
428		A2G	FERRITE BEAD		FB7804	1-500-230-21	FERRITE 0UH		
429		A2G	FERRITE BEAD		FB7805	1-500-230-21	FERRITE 0UH		
430		A2G	FERRITE BEAD		FB7806	1-500-230-21	FERRITE 0UH		
431		A2G	FERRITE BEAD		FB7807	1-500-230-21	FERRITE 0UH		
432		A2G	FERRITE BEAD		FB7808	1-500-230-21	FERRITE 0UH		
433		A2G	FERRITE BEAD		FB7809	1-500-230-21	FERRITE 0UH		
434		A2G	FERRITE BEAD		FB7810	1-400-179-21	INDUCTOR 0UH		
435		A2G	FERRITE BEAD		FB7811	1-400-179-21	INDUCTOR 0UH		
436		A2G	FERRITE BEAD		FB7812	1-400-179-21	INDUCTOR 0UH		
437		A2G	FERRITE BEAD		FB7813	1-400-179-21	INDUCTOR 0UH		
438		A2G	FERRITE BEAD		FB7814	1-500-283-11	FERRITE 0UH		
439		A2G	FERRITE BEAD		FB7815	1-500-283-11	FERRITE 0UH		
440		A2G	FERRITE BEAD		FB8606	1-469-775-21	FERRITE 0UH		
441		A2G	FERRITE BEAD		FB8607	1-414-445-11	FERRITE 0UH		
442		A2G	FERRITE BEAD		FB8609	1-414-445-11	FERRITE 0UH		
443		A2G	FERRITE BEAD		FB8610	1-414-445-11	FERRITE 0UH		
444		A2G	FERRITE BEAD		FB8611	1-414-445-11	FERRITE 0UH		

No.	#	Board	Type	Δ / [*]	Ref. No.	Part No.	Description	Remarks-1	Remarks-2
445		A2G	FERRITE BEAD		FB8622	1-414-445-11	FERRITE 0UH		
446		A2G	FERRITE BEAD		FB8700	1-469-775-21	FERRITE 0UH		
447		A2G	FERRITE BEAD		FB8702	1-469-775-21	FERRITE 0UH		
448		A2G	FERRITE BEAD		FB8703	1-469-775-21	FERRITE 0UH		
449		A2G	FERRITE BEAD		FB8704	1-469-775-21	FERRITE 0UH		
450		A2G	FERRITE BEAD		FB8705	1-469-775-21	FERRITE 0UH		
451		A2G	FERRITE BEAD		FB8706	1-469-775-21	FERRITE 0UH		
452		A2G	FERRITE BEAD		FB8707	1-469-775-21	FERRITE 0UH		
453		A2G	FERRITE BEAD		FB8709	1-469-775-21	FERRITE 0UH		
454		A2G	FERRITE BEAD		FB8710	1-469-775-21	FERRITE 0UH		
455		A2G	FERRITE BEAD		FB8711	1-469-775-21	FERRITE 0UH		
456		A2G	FERRITE BEAD		FB8712	1-469-775-21	FERRITE 0UH		
457		A2G	FERRITE BEAD		FB8713	1-469-775-21	FERRITE 0UH		
458		A2G	FERRITE BEAD		FB8714	1-469-775-21	FERRITE 0UH		
459		A2G	FERRITE BEAD		FB9501	1-500-283-11	FERRITE 0UH		
460		A2G	FERRITE BEAD		FB9503	1-469-324-21	FERRITE 0UH		
461		A2G	FERRITE BEAD		FB9504	1-414-760-21	FERRITE 0UH		
462		A2G	FERRITE BEAD		FB9505	1-414-760-21	FERRITE 0UH		
463		A2G	FERRITE BEAD		FB9506	1-469-324-21	FERRITE 0UH		
464		A2G	FERRITE BEAD		FB9507	1-469-324-21	FERRITE 0UH		
465		A2G	FERRITE BEAD		FB9508	1-469-324-21	FERRITE 0UH		
466		A2G	FILTER		FL2500	1-233-765-21	FILTER		
467		A2G	IC		IC2500	6-706-475-01	IC TC7SET02FU(T5RSOJF)		
468		A2G	IC		IC2501	8-753-212-10	IC CXA2163AQ-T6		
469		A2G	IC		IC2506	6-704-465-01	IC MC74LVX8053DTR2		
470		A2G	IC		IC7803	6-705-679-01	IC RC4558PWR		
471		A2G	IC		IC7804	6-708-263-01	IC MSP4411K-QA-D5-401		
472		A2G	IC		IC7806	6-705-679-01	IC RC4558PWR		
473		A2G	IC		IC7808	8-759-359-49	IC NJM3414AV(TE2)		
474		A2G	IC		IC7809	6-707-708-01	IC TPA3004D2PHPR		
475		A2G	IC		IC8401	8-749-925-00	IC TK11819MTL		
476		A2G	IC		IC8500	8-752-072-94	IC CXA1875AM-T4		
477		A2G	IC		IC8503	8-752-072-94	IC CXA1875AM-T4		
478		A2G	IC		IC9500	8-752-089-33	IC CXA2069Q-TL		
479		A2G	IC		IC9501	8-759-514-57	IC BA7046F		
480		A2G	IC		IC9502	6-704-465-01	IC MC74LVX8053DTR2		
481		A2G	JACK		J7800	1-507-792-00	JACK		
482		A2G	JACK		J7801	1-774-746-11	JACK BLOCK, PIN		
483		A2G	JACK		J9002	1-780-243-11	TERMINAL BLOCK, S 6P		
484		A2G	JACK		J9153	1-815-015-11	JACK BLOCK, PIN		
485		A2G	JACK		J9154	1-815-015-11	JACK BLOCK, PIN		
486		A2G	COIL		L2500	1-409-535-41	INDUCTOR 100UH		
487		A2G	COIL		L2504	1-412-029-11	INDUCTOR 10UH		
488		A2G	COIL		L2506	1-412-058-11	INDUCTOR 10UH		
489		A2G	COIL		L2507	1-412-029-11	INDUCTOR 10UH		
490		A2G	COIL		L2508	1-412-029-11	INDUCTOR 10UH		
491		A2G	COIL		L2509	1-412-058-11	INDUCTOR 10UH		
492		A2G	COIL		L2510	1-412-058-11	INDUCTOR 10UH		
493		A2G	COIL		L2511	1-412-029-11	INDUCTOR 10UH		
494		A2G	COIL		L7803	1-412-058-11	INDUCTOR 10UH		
495		A2G	COIL		L7804	1-412-058-11	INDUCTOR 10UH		
496		A2G	COIL		L7805	1-216-864-11	SHORT CHIP 0		
497		A2G	COIL		L7806	1-412-058-11	INDUCTOR 10UH		
498		A2G	COIL		L7807	1-412-058-11	INDUCTOR 10UH		
499		A2G	COIL		L7809	1-406-663-21	INDUCTOR 47UH		
500		A2G	COIL		L7810	1-456-515-11	INDUCTOR 33UH		
501		A2G	COIL		L7811	1-456-515-11	INDUCTOR 33UH		
502		A2G	COIL		L7812	1-456-515-11	INDUCTOR 33UH		
503		A2G	COIL		L7813	1-456-515-11	INDUCTOR 33UH		
504		A2G	COIL		L8401	1-469-528-91	INDUCTOR 100UH		
505		A2G	COIL		L8402	1-412-549-31	INDUCTOR 1MH		
506		A2G	COIL		L8700	1-412-029-11	INDUCTOR 10UH		
507		A2G	COIL		L9502	1-412-060-11	INDUCTOR 22UH		
508		A2G	COIL		L9503	1-414-580-21	INDUCTOR 100NH		
509		A2G	COIL		L9504	1-414-580-21	INDUCTOR 100NH		
510		A2G	COIL		L9505	1-414-580-21	INDUCTOR 100NH		
511		A2G	COIL		L9506	1-412-029-11	INDUCTOR 10UH		
512		A2G	COIL		L9508	1-412-979-21	INDUCTOR 1UH		
513		A2G	COIL		L9509	1-412-029-11	INDUCTOR 10UH		
514		A2G	COIL		L9510	1-412-030-11	INDUCTOR 22UH		
515		A2G	COIL		L9511	1-412-029-11	INDUCTOR 10UH		
516		A2G	COIL		L9513	1-412-029-11	INDUCTOR 10UH		
517		A2G	COIL		L9514	1-414-580-21	INDUCTOR 100NH		
518		A2G	COIL		L9515	1-414-580-21	INDUCTOR 100NH		

No.	#	Board	Type	Δ/\ast	Ref. No.	Part No.	Description	Remarks-1	Remarks-2
519		A2G	COIL		L9516	1-414-580-21	INDUCTOR 100NH		
520		A2G	COIL		L9521	1-412-058-11	INDUCTOR 10UH		
521		A2G	IC LINK	Δ	PS7800	1-533-596-11	IC LINK 4A 90V		
522		A2G	IC LINK	Δ	PS8401	1-576-646-11	FUSE 0.5A 50V		
523		A2G	TRANSISTOR		Q2501	8-729-010-05	TRANSISTOR MSB709-RT1		
524		A2G	TRANSISTOR		Q2502	8-729-010-05	TRANSISTOR MSB709-RT1		
525		A2G	TRANSISTOR		Q2503	8-729-010-05	TRANSISTOR MSB709-RT1		
526		A2G	TRANSISTOR		Q2504	8-729-010-05	TRANSISTOR MSB709-RT1		
527		A2G	TRANSISTOR		Q2505	8-729-010-29	TRANSISTOR MSD601-RST1		
528		A2G	TRANSISTOR		Q2506	8-729-029-00	TRANSISTOR DTC115EUA-T106		
529		A2G	TRANSISTOR		Q2508	8-729-029-00	TRANSISTOR DTC115EUA-T106		
530		A2G	TRANSISTOR		Q2511	8-729-122-63	TRANSISTOR 2SA1226-E4		
531		A2G	TRANSISTOR		Q2512	8-729-122-63	TRANSISTOR 2SA1226-E4		
532		A2G	TRANSISTOR		Q2514	8-729-010-29	TRANSISTOR MSD601-RST1		
533		A2G	TRANSISTOR		Q2515	8-729-122-63	TRANSISTOR 2SA1226-E4		
534		A2G	TRANSISTOR		Q2617	8-729-117-73	TRANSISTOR 2SC4178-F14		
535		A2G	TRANSISTOR		Q2618	8-729-117-73	TRANSISTOR 2SC4178-F14		
536		A2G	TRANSISTOR		Q2619	8-729-117-73	TRANSISTOR 2SC4178-F14		
537		A2G	TRANSISTOR		Q6006	6-550-363-01	TRANSISTOR 2SB1690KT146		
538		A2G	TRANSISTOR		Q6007	8-729-045-62	TRANSISTOR 2SK2158-T2B		
539		A2G	TRANSISTOR		Q6008	6-550-549-01	TRANSISTOR DTC114EUAFT106		
540		A2G	TRANSISTOR		Q6010	6-550-549-01	TRANSISTOR DTC114EUAFT106		
541		A2G	TRANSISTOR		Q7801	8-729-010-29	TRANSISTOR MSD601-RST1		
542		A2G	TRANSISTOR		Q7802	8-729-010-29	TRANSISTOR MSD601-RST1		
543		A2G	TRANSISTOR		Q7804	8-729-010-29	TRANSISTOR MSD601-RST1		
544		A2G	TRANSISTOR		Q7805	8-729-010-29	TRANSISTOR MSD601-RST1		
545		A2G	TRANSISTOR		Q7806	8-729-010-29	TRANSISTOR MSD601-RST1		
546		A2G	TRANSISTOR		Q7808	8-729-905-35	TRANSISTOR 2SC4081-R		
547		A2G	TRANSISTOR		Q7809	6-550-076-01	TRANSISTOR MUN5213T1		
548		A2G	TRANSISTOR		Q7810	8-729-010-29	TRANSISTOR MSD601-RST1		
549		A2G	TRANSISTOR		Q7811	8-729-010-05	TRANSISTOR MSB709-RT1		
550		A2G	TRANSISTOR		Q7812	8-729-920-21	TRANSISTOR DTC314TK-T-146		
551		A2G	TRANSISTOR		Q7813	8-729-920-21	TRANSISTOR DTC314TK-T-146		
552		A2G	TRANSISTOR		Q7814	6-550-076-01	TRANSISTOR MUN5213T1		
553		A2G	TRANSISTOR		Q7815	6-550-585-01	TRANSISTOR 2PC4081R-115		
554		A2G	TRANSISTOR		Q7816	6-550-076-01	TRANSISTOR MUN5213T1		
555		A2G	TRANSISTOR		Q7817	8-729-905-35	TRANSISTOR 2SC4081-R		
556		A2G	TRANSISTOR		Q7818	8-729-026-53	TRANSISTOR 2SA1576A-T106-QR		
557		A2G	TRANSISTOR		Q7819	8-729-029-00	TRANSISTOR DTC115EUA-T106		
558		A2G	TRANSISTOR		Q7820	8-729-010-29	TRANSISTOR MSD601-RST1		
559		A2G	TRANSISTOR		Q7821	8-729-010-29	TRANSISTOR MSD601-RST1		
560		A2G	TRANSISTOR		Q7822	8-729-010-29	TRANSISTOR MSD601-RST1		
561		A2G	TRANSISTOR		Q7823	8-729-026-53	TRANSISTOR 2SA1576A-T106-QR		
562		A2G	TRANSISTOR		Q7824	8-729-026-53	TRANSISTOR 2SA1576A-T106-QR		
563		A2G	TRANSISTOR		Q7825	8-729-026-53	TRANSISTOR 2SA1576A-T106-QR		
564		A2G	TRANSISTOR		Q7826	8-729-026-53	TRANSISTOR 2SA1576A-T106-QR		
565		A2G	TRANSISTOR		Q7827	8-729-905-35	TRANSISTOR 2SC4081-R		
566		A2G	TRANSISTOR		Q7829	8-729-010-05	TRANSISTOR MSB709-RT1		
567		A2G	TRANSISTOR		Q7830	8-729-010-05	TRANSISTOR MSB709-RT1		
568		A2G	TRANSISTOR		Q7831	8-729-010-05	TRANSISTOR MSB709-RT1		
569		A2G	TRANSISTOR		Q7832	8-729-010-05	TRANSISTOR MSB709-RT1		
570		A2G	TRANSISTOR		Q7833	8-729-010-05	TRANSISTOR MSB709-RT1		
571		A2G	TRANSISTOR		Q7834	8-729-010-05	TRANSISTOR MSB709-RT1		
572		A2G	TRANSISTOR		Q7835	8-729-010-29	TRANSISTOR MSD601-RST1		
573		A2G	TRANSISTOR		Q7836	8-729-010-29	TRANSISTOR MSD601-RST1		
574		A2G	TRANSISTOR		Q7837	8-729-026-53	TRANSISTOR 2SA1576A-T106-QR		
575		A2G	TRANSISTOR		Q8403	8-729-026-53	TRANSISTOR 2SA1576A-T106-QR		
576		A2G	TRANSISTOR		Q8404	8-729-905-35	TRANSISTOR 2SC4081-R		
577		A2G	TRANSISTOR		Q8490	8-729-010-29	TRANSISTOR MSD601-RST1		
578		A2G	TRANSISTOR		Q8500	8-729-028-73	TRANSISTOR DTA114EUA-T106		
579		A2G	TRANSISTOR		Q8504	8-729-905-35	TRANSISTOR 2SC4081-R		
580		A2G	TRANSISTOR		Q8505	8-729-905-35	TRANSISTOR 2SC4081-R		
581		A2G	TRANSISTOR		Q8506	8-729-028-73	TRANSISTOR DTA114EUA-T106		
582		A2G	TRANSISTOR		Q8601	8-729-029-00	TRANSISTOR DTC115EUA-T106		
583		A2G	TRANSISTOR		Q8615	8-729-905-35	TRANSISTOR 2SC4081-R		
584		A2G	TRANSISTOR		Q8616	6-550-549-01	TRANSISTOR DTC114EUAFT106		
585		A2G	TRANSISTOR		Q9508	6-550-549-01	TRANSISTOR DTC114EUAFT106		
586		A2G	TRANSISTOR		Q9509	8-729-010-29	TRANSISTOR MSD601-RST1		
587		A2G	TRANSISTOR		Q9510	8-729-927-99	TRANSISTOR 2SC4617R		
588		A2G	TRANSISTOR		Q9511	8-729-927-99	TRANSISTOR 2SC4617R		
589		A2G	TRANSISTOR		Q9512	8-729-026-49	TRANSISTOR 2SA1037AK-T146-R		
590		A2G	TRANSISTOR		Q9513	8-729-010-05	TRANSISTOR MSB709-RT1		
591		A2G	TRANSISTOR		Q9514	8-729-120-28	TRANSISTOR 2SC1623-L5L6		
592		A2G	TRANSISTOR		Q9515	8-729-120-28	TRANSISTOR 2SC1623-L5L6		

No.	#	Board	Type	Δ / [*]	Ref. No.	Part No.	Description	Remarks-1	Remarks-2
593		A2G	TRANSISTOR		Q9517	8-729-010-29	TRANSISTOR MSD601-RST1		
594		A2G	TRANSISTOR		Q9519	8-729-010-29	TRANSISTOR MSD601-RST1		
595		A2G	TRANSISTOR		Q9520	8-729-010-29	TRANSISTOR MSD601-RST1		
596		A2G	TRANSISTOR		Q9521	8-729-010-29	TRANSISTOR MSD601-RST1		
597		A2G	TRANSISTOR		Q9523	8-729-010-29	TRANSISTOR MSD601-RST1		
598		A2G	TRANSISTOR		Q9524	8-729-010-29	TRANSISTOR MSD601-RST1		
599		A2G	TRANSISTOR		Q9601	8-729-010-29	TRANSISTOR MSD601-RST1		
600		A2G	RESISTOR		R2500	1-216-864-11	SHORT CHIP 0		
601		A2G	RESISTOR		R2501	1-216-809-11	METAL CHIP 100 5% 1/10W		
602		A2G	RESISTOR		R2502	1-216-809-11	METAL CHIP 100 5% 1/10W		
603		A2G	RESISTOR		R2503	1-216-821-11	METAL CHIP 1K 5% 1/10W		
604		A2G	RESISTOR		R2506	1-216-838-11	METAL CHIP 27K 5% 1/10W		
605		A2G	RESISTOR		R2507	1-216-864-11	SHORT CHIP 0		
606		A2G	RESISTOR		R2508	1-216-828-11	METAL CHIP 3.9K 5% 1/10W		
607		A2G	RESISTOR		R2514	1-216-864-11	SHORT CHIP 0		
608		A2G	RESISTOR		R2515	1-216-817-11	METAL CHIP 470 5% 1/10W		
609		A2G	RESISTOR		R2517	1-216-821-11	METAL CHIP 1K 5% 1/10W		
610		A2G	RESISTOR		R2518	1-216-864-11	SHORT CHIP 0		
611		A2G	RESISTOR		R2519	1-216-864-11	SHORT CHIP 0		
612		A2G	RESISTOR		R2520	1-216-864-11	SHORT CHIP 0		
613		A2G	RESISTOR		R2521	1-216-864-11	SHORT CHIP 0		
614		A2G	RESISTOR		R2522	1-218-867-11	METAL CHIP 6.8K 0.5% 1/10W		
615		A2G	RESISTOR		R2523	1-216-864-11	SHORT CHIP 0		
616		A2G	RESISTOR		R2524	1-218-867-11	METAL CHIP 6.8K 0.5% 1/10W		
617		A2G	RESISTOR		R2528	1-216-864-11	SHORT CHIP 0		
618		A2G	RESISTOR		R2529	1-216-864-11	SHORT CHIP 0		
619		A2G	RESISTOR		R2530	1-216-820-11	METAL CHIP 820 5% 1/10W		
620		A2G	RESISTOR		R2531	1-216-818-11	METAL CHIP 560 5% 1/10W		
621		A2G	RESISTOR		R2534	1-216-864-11	SHORT CHIP 0		
622		A2G	RESISTOR		R2535	1-216-809-11	METAL CHIP 100 5% 1/10W		
623		A2G	RESISTOR		R2537	1-216-809-11	METAL CHIP 100 5% 1/10W		
624		A2G	RESISTOR		R2538	1-216-809-11	METAL CHIP 100 5% 1/10W		
625		A2G	RESISTOR		R2539	1-216-809-11	METAL CHIP 100 5% 1/10W		
626		A2G	RESISTOR		R2540	1-216-809-11	METAL CHIP 100 5% 1/10W		
627		A2G	RESISTOR		R2542	1-216-809-11	METAL CHIP 100 5% 1/10W		
628		A2G	RESISTOR		R2544	1-216-830-11	METAL CHIP 5.6K 5% 1/10W		
629		A2G	RESISTOR		R2545	1-216-817-11	METAL CHIP 470 5% 1/10W		
630		A2G	RESISTOR		R2546	1-216-825-11	METAL CHIP 2.2K 5% 1/10W		
631		A2G	RESISTOR		R2547	1-216-825-11	METAL CHIP 2.2K 5% 1/10W		
632		A2G	RESISTOR		R2548	1-216-808-11	METAL CHIP 82 5% 1/10W		
633		A2G	RESISTOR		R2549	1-211-985-11	METAL CHIP 47 0.5% 1/10W		
634		A2G	RESISTOR		R2556	1-216-833-11	METAL CHIP 10K 5% 1/10W		
635		A2G	RESISTOR		R2567	1-216-864-11	SHORT CHIP 0		
636		A2G	RESISTOR		R2568	1-216-864-11	SHORT CHIP 0		
637		A2G	RESISTOR		R2569	1-216-864-11	SHORT CHIP 0		
638		A2G	RESISTOR		R2571	1-216-864-11	SHORT CHIP 0		
639		A2G	RESISTOR		R2574	1-216-833-11	METAL CHIP 10K 5% 1/10W		
640		A2G	RESISTOR		R2578	1-216-833-11	METAL CHIP 10K 5% 1/10W		
641		A2G	RESISTOR		R2579	1-216-833-11	METAL CHIP 10K 5% 1/10W		
642		A2G	RESISTOR		R2584	1-216-864-11	SHORT CHIP 0		
643		A2G	RESISTOR		R2586	1-216-833-11	METAL CHIP 10K 5% 1/10W		
644		A2G	RESISTOR		R2587	1-216-864-11	SHORT CHIP 0		
645		A2G	RESISTOR		R2588	1-216-864-11	SHORT CHIP 0		
646		A2G	RESISTOR		R2597	1-218-867-11	METAL CHIP 6.8K 0.5% 1/10W		
647		A2G	RESISTOR		R2598	1-216-833-11	METAL CHIP 10K 5% 1/10W		
648		A2G	RESISTOR		R2599	1-216-809-11	METAL CHIP 100 5% 1/10W		
649		A2G	RESISTOR		R2600	1-216-833-11	METAL CHIP 10K 5% 1/10W		
650		A2G	RESISTOR		R2601	1-216-833-11	METAL CHIP 10K 5% 1/10W		
651		A2G	RESISTOR		R2602	1-216-833-11	METAL CHIP 10K 5% 1/10W		
652		A2G	RESISTOR		R2604	1-216-857-11	METAL CHIP 1M 5% 1/10W		
653		A2G	RESISTOR		R2652	1-216-864-11	SHORT CHIP 0		
654		A2G	RESISTOR		R2654	1-216-817-11	METAL CHIP 470 5% 1/10W		
655		A2G	RESISTOR		R2655	1-216-805-11	METAL CHIP 47 5% 1/10W		
656		A2G	RESISTOR		R2656	1-216-864-11	SHORT CHIP 0		
657		A2G	RESISTOR		R2658	1-216-817-11	METAL CHIP 470 5% 1/10W		
658		A2G	RESISTOR		R2659	1-216-805-11	METAL CHIP 47 5% 1/10W		
659		A2G	RESISTOR		R2661	1-216-864-11	SHORT CHIP 0		
660		A2G	RESISTOR		R2663	1-216-813-11	METAL CHIP 220 5% 1/10W		
661		A2G	RESISTOR		R2664	1-216-805-11	METAL CHIP 47 5% 1/10W		
662		A2G	RESISTOR		R2665	1-216-864-11	SHORT CHIP 0		
663		A2G	RESISTOR		R2667	1-216-813-11	METAL CHIP 220 5% 1/10W		
664		A2G	RESISTOR		R2668	1-216-805-11	METAL CHIP 47 5% 1/10W		
665		A2G	RESISTOR		R2669	1-216-864-11	SHORT CHIP 0		
666		A2G	RESISTOR		R2671	1-216-813-11	METAL CHIP 220 5% 1/10W		

No.	#	Board	Type	Δ/J^*	Ref. No.	Part No.	Description	Remarks-1	Remarks-2
667		A2G	RESISTOR		R2672	1-216-805-11	METAL CHIP 47 5% 1/10W		
668		A2G	RESISTOR		R2680	1-216-864-11	SHORT CHIP 0		
669		A2G	RESISTOR		R2682	1-216-817-11	METAL CHIP 470 5% 1/10W		
670		A2G	RESISTOR		R2683	1-216-805-11	METAL CHIP 47 5% 1/10W		
671		A2G	RESISTOR		R6031	1-216-845-11	METAL CHIP 100K 5% 1/10W		
672		A2G	RESISTOR		R6032	1-218-895-11	METAL CHIP 100K 0.5% 1/10W		
673		A2G	RESISTOR		R6035	1-216-827-11	METAL CHIP 3.3K 5% 1/10W		
674		A2G	RESISTOR		R6036	1-216-818-11	METAL CHIP 560 5% 1/10W		
675		A2G	RESISTOR		R6043	1-218-867-11	METAL CHIP 6.8K 0.5% 1/10W		
676		A2G	RESISTOR		R6044	1-218-867-11	METAL CHIP 6.8K 0.5% 1/10W		
677		A2G	RESISTOR		R6045	1-216-864-11	SHORT CHIP 0		
678		A2G	RESISTOR		R6046	1-216-864-11	SHORT CHIP 0		
679		A2G	RESISTOR		R6047	1-216-864-11	SHORT CHIP 0		
680		A2G	RESISTOR		R6048	1-216-864-11	SHORT CHIP 0		
681		A2G	RESISTOR		R6049	1-216-864-11	SHORT CHIP 0		
682		A2G	RESISTOR		R6050	1-216-833-11	METAL CHIP 10K 5% 1/10W		
683		A2G	RESISTOR		R6051	1-216-849-11	METAL CHIP 220K 5% 1/10W		
684		A2G	RESISTOR		R6055	1-216-864-11	SHORT CHIP 0		
685		A2G	RESISTOR		R6056	1-216-864-11	SHORT CHIP 0		
686		A2G	RESISTOR		R7797	1-218-285-11	METAL CHIP 75 5% 1/10W		
687		A2G	RESISTOR		R7798	1-216-849-11	METAL CHIP 220K 5% 1/10W		
688		A2G	RESISTOR		R7800	1-216-833-11	METAL CHIP 10K 5% 1/10W		
689		A2G	RESISTOR		R7801	1-216-841-11	METAL CHIP 47K 5% 1/10W		
690		A2G	RESISTOR		R7802	1-216-841-11	METAL CHIP 47K 5% 1/10W		
691		A2G	RESISTOR		R7803	1-216-833-11	METAL CHIP 10K 5% 1/10W		
692		A2G	RESISTOR		R7804	1-216-833-11	METAL CHIP 10K 5% 1/10W		
693		A2G	RESISTOR		R7805	1-216-829-11	METAL CHIP 4.7K 5% 1/10W		
694		A2G	RESISTOR		R7806	1-218-841-11	METAL CHIP 560 0.5% 1/10W		
695		A2G	RESISTOR		R7807	1-218-847-11	METAL CHIP 1K 0.5% 1/10W		
696		A2G	RESISTOR		R7809	1-216-835-11	METAL CHIP 15K 5% 1/10W		
697		A2G	RESISTOR		R7810	1-216-864-11	SHORT CHIP 0		
698		A2G	RESISTOR		R7811	1-216-844-11	METAL CHIP 82K 5% 1/10W		
699		A2G	RESISTOR		R7812	1-216-844-11	METAL CHIP 82K 5% 1/10W		
700		A2G	RESISTOR		R7813	1-216-835-11	METAL CHIP 15K 5% 1/10W		
701		A2G	RESISTOR		R7814	1-216-864-11	SHORT CHIP 0		
702		A2G	RESISTOR		R7815	1-216-864-11	SHORT CHIP 0		
703		A2G	RESISTOR		R7819	1-216-864-11	SHORT CHIP 0		
704		A2G	RESISTOR		R7822	1-216-845-11	METAL CHIP 100K 5% 1/10W		
705		A2G	RESISTOR		R7823	1-216-864-11	SHORT CHIP 0		
706		A2G	RESISTOR		R7824	1-216-864-11	SHORT CHIP 0		
707		A2G	RESISTOR		R7825	1-216-864-11	SHORT CHIP 0		
708		A2G	RESISTOR		R7828	1-216-836-11	METAL CHIP 18K 5% 1/10W		
709		A2G	RESISTOR		R7829	1-216-839-11	METAL CHIP 33K 5% 1/10W		
710		A2G	RESISTOR		R7830	1-218-841-11	METAL CHIP 560 0.5% 1/10W		
711		A2G	RESISTOR		R7831	1-218-847-11	METAL CHIP 1K 0.5% 1/10W		
712		A2G	RESISTOR		R7835	1-216-825-11	METAL CHIP 2.2K 5% 1/10W		
713		A2G	RESISTOR		R7836	1-216-853-11	METAL CHIP 470K 5% 1/10W		
714		A2G	RESISTOR		R7837	1-216-825-11	METAL CHIP 2.2K 5% 1/10W		
715		A2G	RESISTOR		R7838	1-216-833-11	METAL CHIP 10K 5% 1/10W		
716		A2G	RESISTOR		R7839	1-216-853-11	METAL CHIP 470K 5% 1/10W		
717		A2G	RESISTOR		R7840	1-216-809-11	METAL CHIP 100 5% 1/10W		
718		A2G	RESISTOR		R7841	1-216-833-11	METAL CHIP 10K 5% 1/10W		
719		A2G	RESISTOR		R7842	1-216-836-11	METAL CHIP 18K 5% 1/10W		
720		A2G	RESISTOR		R7843	1-216-809-11	METAL CHIP 100 5% 1/10W		
721		A2G	RESISTOR		R7844	1-216-845-11	METAL CHIP 100K 5% 1/10W		
722		A2G	RESISTOR		R7846	1-216-864-11	SHORT CHIP 0		
723		A2G	RESISTOR		R7847	1-216-836-11	METAL CHIP 18K 5% 1/10W		
724		A2G	RESISTOR		R7848	1-216-839-11	METAL CHIP 33K 5% 1/10W		
725		A2G	RESISTOR		R7849	1-218-841-11	METAL CHIP 560 0.5% 1/10W		
726		A2G	RESISTOR		R7851	1-216-833-11	METAL CHIP 10K 5% 1/10W		
727		A2G	RESISTOR		R7852	1-216-833-11	METAL CHIP 10K 5% 1/10W		
728		A2G	RESISTOR		R7853	1-216-833-11	METAL CHIP 10K 5% 1/10W		
729		A2G	RESISTOR		R7854	1-216-864-11	SHORT CHIP 0		
730		A2G	RESISTOR		R7856	1-216-864-11	SHORT CHIP 0		
731		A2G	RESISTOR		R7857	1-216-821-11	METAL CHIP 1K 5% 1/10W		
732		A2G	RESISTOR		R7859	1-218-867-11	METAL CHIP 6.8K 0.5% 1/10W		
733		A2G	RESISTOR		R7860	1-218-867-11	METAL CHIP 6.8K 0.5% 1/10W		
734		A2G	RESISTOR		R7861	1-216-864-11	SHORT CHIP 0		
735		A2G	RESISTOR		R7864	1-216-864-11	SHORT CHIP 0		
736		A2G	RESISTOR		R7865	1-216-821-11	METAL CHIP 1K 5% 1/10W		
737		A2G	RESISTOR		R7866	1-216-829-11	METAL CHIP 4.7K 5% 1/10W		
738		A2G	RESISTOR		R7867	1-216-829-11	METAL CHIP 4.7K 5% 1/10W		
739		A2G	RESISTOR		R7869	1-216-834-11	METAL CHIP 12K 5% 1/10W		
740		A2G	RESISTOR		R7871	1-216-833-11	METAL CHIP 10K 5% 1/10W		

No.	#	Board	Type	Δ/J^*	Ref. No.	Part No.	Description	Remarks-1	Remarks-2
741		A2G	RESISTOR		R7872	1-216-853-11	METAL CHIP 470K 5% 1/10W		
742		A2G	RESISTOR		R7873	1-216-864-11	SHORT CHIP 0		
743		A2G	RESISTOR		R7874	1-216-864-11	SHORT CHIP 0		
744		A2G	RESISTOR		R7875	1-216-833-11	METAL CHIP 10K 5% 1/10W		
745		A2G	RESISTOR		R7876	1-216-825-11	METAL CHIP 2.2K 5% 1/10W		
746		A2G	RESISTOR		R7877	1-216-837-11	METAL CHIP 22K 5% 1/10W		
747		A2G	RESISTOR		R7878	1-216-830-11	METAL CHIP 5.6K 5% 1/10W		
748		A2G	RESISTOR		R7879	1-216-845-11	METAL CHIP 100K 5% 1/10W		
749		A2G	RESISTOR		R7880	1-216-833-11	METAL CHIP 10K 5% 1/10W		
750		A2G	RESISTOR		R7881	1-216-837-11	METAL CHIP 22K 5% 1/10W		
751		A2G	RESISTOR		R7882	1-216-845-11	METAL CHIP 100K 5% 1/10W		
752		A2G	RESISTOR		R7883	1-216-830-11	METAL CHIP 5.6K 5% 1/10W		
753		A2G	RESISTOR		R7884	1-216-833-11	METAL CHIP 10K 5% 1/10W		
754		A2G	RESISTOR		R7885	1-216-837-11	METAL CHIP 22K 5% 1/10W		
755		A2G	RESISTOR		R7886	1-216-837-11	METAL CHIP 22K 5% 1/10W		
756		A2G	RESISTOR		R7887	1-216-838-11	METAL CHIP 27K 5% 1/10W		
757		A2G	RESISTOR		R7888	1-216-825-11	METAL CHIP 2.2K 5% 1/10W		
758		A2G	RESISTOR		R7889	1-216-833-11	METAL CHIP 10K 5% 1/10W		
759		A2G	RESISTOR		R7890	1-218-841-11	METAL CHIP 560 0.5% 1/10W		
760		A2G	RESISTOR		R7891	1-218-847-11	METAL CHIP 1K 0.5% 1/10W		
761		A2G	RESISTOR		R7893	1-216-864-11	SHORT CHIP 0		
762		A2G	RESISTOR		R7894	1-218-841-11	METAL CHIP 560 0.5% 1/10W		
763		A2G	RESISTOR		R7895	1-216-825-11	METAL CHIP 2.2K 5% 1/10W		
764		A2G	RESISTOR		R7896	1-216-864-11	SHORT CHIP 0		
765		A2G	RESISTOR		R7897	1-216-825-11	METAL CHIP 2.2K 5% 1/10W		
766		A2G	RESISTOR		R7898	1-216-833-11	METAL CHIP 10K 5% 1/10W		
767		A2G	RESISTOR		R7899	1-216-833-11	METAL CHIP 10K 5% 1/10W		
768		A2G	RESISTOR		R7900	1-216-845-11	METAL CHIP 100K 5% 1/10W		
769		A2G	RESISTOR		R7903	1-216-835-11	METAL CHIP 15K 5% 1/10W		
770		A2G	RESISTOR		R7904	1-216-835-11	METAL CHIP 15K 5% 1/10W		
771		A2G	RESISTOR		R7905	1-216-864-11	SHORT CHIP 0		
772		A2G	RESISTOR		R7906	1-216-825-11	METAL CHIP 2.2K 5% 1/10W		
773		A2G	RESISTOR		R7907	1-216-825-11	METAL CHIP 2.2K 5% 1/10W		
774		A2G	RESISTOR		R7908	1-216-833-11	METAL CHIP 10K 5% 1/10W		
775		A2G	RESISTOR		R7909	1-216-833-11	METAL CHIP 10K 5% 1/10W		
776		A2G	RESISTOR		R7910	1-216-825-11	METAL CHIP 2.2K 5% 1/10W		
777		A2G	RESISTOR		R7911	1-216-821-11	METAL CHIP 1K 5% 1/10W		
778		A2G	RESISTOR		R7912	1-216-845-11	METAL CHIP 100K 5% 1/10W		
779		A2G	RESISTOR		R7913	1-216-864-11	SHORT CHIP 0		
780		A2G	RESISTOR		R7914	1-216-845-11	METAL CHIP 100K 5% 1/10W		
781		A2G	RESISTOR		R7915	1-216-845-11	METAL CHIP 100K 5% 1/10W		
782		A2G	RESISTOR		R7917	1-216-864-11	SHORT CHIP 0		
783		A2G	RESISTOR		R7919	1-216-864-11	SHORT CHIP 0		
784		A2G	RESISTOR		R7920	1-216-829-11	METAL CHIP 4.7K 5% 1/10W		
785		A2G	RESISTOR		R7921	1-216-829-11	METAL CHIP 4.7K 5% 1/10W		
786		A2G	RESISTOR		R7922	1-216-845-11	METAL CHIP 100K 5% 1/10W		
787		A2G	RESISTOR		R7923	1-216-832-11	METAL CHIP 8.2K 5% 1/10W		
788		A2G	RESISTOR		R7924	1-216-850-11	METAL CHIP 270K 5% 1/10W		
789		A2G	RESISTOR		R7925	1-216-833-11	METAL CHIP 10K 5% 1/10W		
790		A2G	RESISTOR		R7926	1-216-833-11	METAL CHIP 10K 5% 1/10W		
791		A2G	RESISTOR		R7927	1-216-850-11	METAL CHIP 270K 5% 1/10W		
792		A2G	RESISTOR		R7928	1-216-845-11	METAL CHIP 100K 5% 1/10W		
793		A2G	RESISTOR		R7929	1-216-832-11	METAL CHIP 8.2K 5% 1/10W		
794		A2G	RESISTOR		R7930	1-216-829-11	METAL CHIP 4.7K 5% 1/10W		
795		A2G	RESISTOR		R7931	1-216-829-11	METAL CHIP 4.7K 5% 1/10W		
796		A2G	RESISTOR		R7932	1-216-845-11	METAL CHIP 100K 5% 1/10W		
797		A2G	RESISTOR		R7933	1-216-864-11	SHORT CHIP 0		
798		A2G	RESISTOR		R7934	1-216-864-11	SHORT CHIP 0		
799		A2G	RESISTOR		R7935	1-216-829-11	METAL CHIP 4.7K 5% 1/10W		
800		A2G	RESISTOR		R7936	1-216-829-11	METAL CHIP 4.7K 5% 1/10W		
801		A2G	RESISTOR		R7937	1-216-813-11	METAL CHIP 220 5% 1/10W		
802		A2G	RESISTOR		R7938	1-216-845-11	METAL CHIP 100K 5% 1/10W		
803		A2G	RESISTOR		R7940	1-216-813-11	METAL CHIP 220 5% 1/10W		
804		A2G	RESISTOR		R7941	1-216-845-11	METAL CHIP 100K 5% 1/10W		
805		A2G	RESISTOR		R7943	1-216-864-11	SHORT CHIP 0		
806		A2G	RESISTOR		R7944	1-216-864-11	SHORT CHIP 0		
807		A2G	RESISTOR		R7945	1-216-864-11	SHORT CHIP 0		
808		A2G	RESISTOR		R7946	1-216-846-11	METAL CHIP 120K 5% 1/10W		
809		A2G	RESISTOR		R7947	1-216-845-11	METAL CHIP 100K 5% 1/10W		
810		A2G	RESISTOR		R7948	1-216-864-11	SHORT CHIP 0		
811		A2G	RESISTOR		R7949	1-216-864-11	SHORT CHIP 0		
812		A2G	RESISTOR		R7951	1-216-845-11	METAL CHIP 100K 5% 1/10W		
813		A2G	RESISTOR		R7952	1-216-845-11	METAL CHIP 100K 5% 1/10W		
814		A2G	RESISTOR		R7953	1-216-845-11	METAL CHIP 100K 5% 1/10W		

No.	#	Board	Type	Δ/J^*	Ref. No.	Part No.	Description	Remarks-1	Remarks-2
815		A2G	RESISTOR		R7954	1-216-845-11	METAL CHIP 100K 5% 1/10W		
816		A2G	RESISTOR		R7956	1-216-845-11	METAL CHIP 100K 5% 1/10W		
817		A2G	RESISTOR		R7957	1-216-845-11	METAL CHIP 100K 5% 1/10W		
818		A2G	RESISTOR		R7958	1-216-833-11	METAL CHIP 10K 5% 1/10W		
819		A2G	RESISTOR		R7959	1-216-845-11	METAL CHIP 100K 5% 1/10W		
820		A2G	RESISTOR		R7960	1-216-864-11	SHORT CHIP 0		
821		A2G	RESISTOR		R7961	1-216-845-11	METAL CHIP 100K 5% 1/10W		
822		A2G	RESISTOR		R7962	1-216-842-11	METAL CHIP 56K 5% 1/10W		
823		A2G	RESISTOR		R7963	1-216-864-11	SHORT CHIP 0		
824		A2G	RESISTOR		R7964	1-216-864-11	SHORT CHIP 0		
825		A2G	RESISTOR		R7965	1-216-853-11	METAL CHIP 470K 5% 1/10W		
826		A2G	RESISTOR		R7966	1-216-853-11	METAL CHIP 470K 5% 1/10W		
827		A2G	RESISTOR		R7967	1-216-821-11	METAL CHIP 1K 5% 1/10W		
828		A2G	RESISTOR		R7968	1-216-821-11	METAL CHIP 1K 5% 1/10W		
829		A2G	RESISTOR		R7973	1-216-833-11	METAL CHIP 10K 5% 1/10W		
830		A2G	RESISTOR		R7977	1-216-864-11	SHORT CHIP 0		
831		A2G	RESISTOR		R7979	1-216-864-11	SHORT CHIP 0		
832		A2G	RESISTOR		R7981	1-216-864-11	SHORT CHIP 0		
833		A2G	RESISTOR		R7983	1-216-864-11	SHORT CHIP 0		
834		A2G	RESISTOR		R7985	1-216-845-11	METAL CHIP 100K 5% 1/10W		
835		A2G	RESISTOR		R7986	1-216-845-11	METAL CHIP 100K 5% 1/10W		
836		A2G	RESISTOR		R7991	1-216-864-11	SHORT CHIP 0		
837		A2G	RESISTOR		R7993	1-216-827-11	METAL CHIP 3.3K 5% 1/10W		
838		A2G	RESISTOR		R7994	1-216-833-11	METAL CHIP 10K 5% 1/10W		
839		A2G	RESISTOR		R7995	1-216-841-11	METAL CHIP 47K 5% 1/10W		
840		A2G	RESISTOR		R7996	1-216-841-11	METAL CHIP 47K 5% 1/10W		
841		A2G	RESISTOR		R7997	1-216-864-11	SHORT CHIP 0		
842		A2G	RESISTOR		R7998	1-216-864-11	SHORT CHIP 0		
843		A2G	RESISTOR		R7999	1-216-864-11	SHORT CHIP 0		
844		A2G	RESISTOR		R8000	1-218-872-11	METAL CHIP 11K 0.5% 1/10W		
845		A2G	RESISTOR		R8001	1-216-833-11	METAL CHIP 10K 5% 1/10W		
846		A2G	RESISTOR		R8003	1-216-833-11	METAL CHIP 10K 5% 1/10W		
847		A2G	RESISTOR		R8004	1-216-833-11	METAL CHIP 10K 5% 1/10W		
848		A2G	RESISTOR		R8005	1-216-833-11	METAL CHIP 10K 5% 1/10W		
849		A2G	RESISTOR		R8006	1-216-833-11	METAL CHIP 10K 5% 1/10W		
850		A2G	RESISTOR		R8008	1-218-873-11	METAL CHIP 12K 0.5% 1/10W		
851		A2G	RESISTOR		R8009	1-218-887-11	METAL CHIP 47K 0.5% 1/10W		
852		A2G	RESISTOR		R8010	1-216-837-11	METAL CHIP 22K 5% 1/10W		
853		A2G	RESISTOR		R8011	1-216-837-11	METAL CHIP 22K 5% 1/10W		
854		A2G	RESISTOR		R8012	1-216-837-11	METAL CHIP 22K 5% 1/10W		
855		A2G	RESISTOR		R8013	1-216-837-11	METAL CHIP 22K 5% 1/10W		
856		A2G	RESISTOR		R8016	1-218-887-11	METAL CHIP 47K 0.5% 1/10W		
857		A2G	RESISTOR		R8017	1-216-864-11	SHORT CHIP 0		
858		A2G	RESISTOR		R8018	1-216-827-11	METAL CHIP 3.3K 5% 1/10W		
859		A2G	RESISTOR		R8433	1-216-821-11	METAL CHIP 1K 5% 1/10W		
860		A2G	RESISTOR		R8434	1-216-821-11	METAL CHIP 1K 5% 1/10W		
861		A2G	RESISTOR		R8436	1-216-821-11	METAL CHIP 1K 5% 1/10W		
862		A2G	RESISTOR		R8437	1-218-692-11	METAL CHIP 1K 0.5% 1/10W		
863		A2G	RESISTOR		R8438	1-216-805-11	METAL CHIP 47 5% 1/10W		
864		A2G	RESISTOR		R8439	1-216-805-11	METAL CHIP 47 5% 1/10W		
865		A2G	RESISTOR		R8441	1-216-833-11	METAL CHIP 10K 5% 1/10W		
866		A2G	RESISTOR		R8442	1-216-833-11	METAL CHIP 10K 5% 1/10W		
867		A2G	RESISTOR		R8443	1-216-843-11	METAL CHIP 68K 5% 1/10W		
868		A2G	RESISTOR		R8444	1-216-843-11	METAL CHIP 68K 5% 1/10W		
869		A2G	RESISTOR		R8498	1-216-833-11	METAL CHIP 10K 5% 1/10W		
870		A2G	RESISTOR		R8499	1-216-829-11	METAL CHIP 4.7K 5% 1/10W		
871		A2G	RESISTOR		R8500	1-216-833-11	METAL CHIP 10K 5% 1/10W		
872		A2G	RESISTOR		R8515	1-216-833-11	METAL CHIP 10K 5% 1/10W		
873		A2G	RESISTOR		R8527	1-216-864-11	SHORT CHIP 0		
874		A2G	RESISTOR		R8529	1-216-864-11	SHORT CHIP 0		
875		A2G	RESISTOR		R8531	1-216-864-11	SHORT CHIP 0		
876		A2G	RESISTOR		R8532	1-216-845-11	METAL CHIP 100K 5% 1/10W		
877		A2G	RESISTOR		R8533	1-216-864-11	SHORT CHIP 0		
878		A2G	RESISTOR		R8534	1-216-864-11	SHORT CHIP 0		
879		A2G	RESISTOR		R8535	1-216-864-11	SHORT CHIP 0		
880		A2G	RESISTOR		R8536	1-216-829-11	METAL CHIP 4.7K 5% 1/10W		
881		A2G	RESISTOR		R8538	1-216-864-11	SHORT CHIP 0		
882		A2G	RESISTOR		R8539	1-216-864-11	SHORT CHIP 0		
883		A2G	RESISTOR		R8540	1-216-864-11	SHORT CHIP 0		
884		A2G	RESISTOR		R8541	1-216-864-11	SHORT CHIP 0		
885		A2G	RESISTOR		R8542	1-216-864-11	SHORT CHIP 0		
886		A2G	RESISTOR		R8543	1-216-864-11	SHORT CHIP 0		
887		A2G	RESISTOR		R8544	1-216-864-11	SHORT CHIP 0		
888		A2G	RESISTOR		R8545	1-216-829-11	METAL CHIP 4.7K 5% 1/10W		

No.	#	Board	Type	Δ/J^*	Ref. No.	Part No.	Description	Remarks-1	Remarks-2
889		A2G	RESISTOR		R8546	1-216-833-11	METAL CHIP 10K 5% 1/10W		
890		A2G	RESISTOR		R8547	1-216-833-11	METAL CHIP 10K 5% 1/10W		
891		A2G	RESISTOR		R8548	1-216-864-11	SHORT CHIP 0		
892		A2G	RESISTOR		R8549	1-216-864-11	SHORT CHIP 0		
893		A2G	RESISTOR		R8550	1-216-829-11	METAL CHIP 4.7K 5% 1/10W		
894		A2G	RESISTOR		R8556	1-216-829-11	METAL CHIP 4.7K 5% 1/10W		
895		A2G	RESISTOR		R8564	1-216-864-11	SHORT CHIP 0		
896		A2G	RESISTOR		R8565	1-216-864-11	SHORT CHIP 0		
897		A2G	RESISTOR		R8566	1-216-864-11	SHORT CHIP 0		
898		A2G	RESISTOR		R8567	1-216-864-11	SHORT CHIP 0		
899		A2G	RESISTOR		R8568	1-216-864-11	SHORT CHIP 0		
900		A2G	RESISTOR		R8569	1-216-864-11	SHORT CHIP 0		
901		A2G	RESISTOR		R8570	1-216-864-11	SHORT CHIP 0		
902		A2G	RESISTOR		R8571	1-216-864-11	SHORT CHIP 0		
903		A2G	RESISTOR		R8572	1-216-864-11	SHORT CHIP 0		
904		A2G	RESISTOR		R8575	1-216-864-11	SHORT CHIP 0		
905		A2G	RESISTOR		R8576	1-216-864-11	SHORT CHIP 0		
906		A2G	RESISTOR		R8577	1-216-864-11	SHORT CHIP 0		
907		A2G	RESISTOR		R8578	1-216-864-11	SHORT CHIP 0		
908		A2G	RESISTOR		R8579	1-216-864-11	SHORT CHIP 0		
909		A2G	RESISTOR		R8580	1-216-864-11	SHORT CHIP 0		
910		A2G	RESISTOR		R8583	1-216-864-11	SHORT CHIP 0		
911		A2G	RESISTOR		R8591	1-216-833-11	METAL CHIP 10K 5% 1/10W		
912		A2G	RESISTOR		R8592	1-216-833-11	METAL CHIP 10K 5% 1/10W		
913		A2G	RESISTOR		R8593	1-216-833-11	METAL CHIP 10K 5% 1/10W		
914		A2G	RESISTOR		R8594	1-216-864-11	SHORT CHIP 0		
915		A2G	RESISTOR		R8595	1-216-864-11	SHORT CHIP 0		
916		A2G	RESISTOR		R8596	1-216-864-11	SHORT CHIP 0		
917		A2G	RESISTOR		R8597	1-216-864-11	SHORT CHIP 0		
918		A2G	RESISTOR		R8598	1-216-864-11	SHORT CHIP 0		
919		A2G	RESISTOR		R8605	1-216-825-11	METAL CHIP 2.2K 5% 1/10W		
920		A2G	RESISTOR		R8613	1-216-809-11	METAL CHIP 100 5% 1/10W		
921		A2G	RESISTOR		R8617	1-216-864-11	SHORT CHIP 0		
922		A2G	RESISTOR		R8618	1-216-864-11	SHORT CHIP 0		
923		A2G	RESISTOR		R8619	1-216-843-11	METAL CHIP 68K 5% 1/10W		
924		A2G	RESISTOR		R8620	1-216-851-11	METAL CHIP 330K 5% 1/10W		
925		A2G	RESISTOR		R8622	1-216-833-11	METAL CHIP 10K 5% 1/10W		
926		A2G	RESISTOR		R8623	1-216-833-11	METAL CHIP 10K 5% 1/10W		
927		A2G	RESISTOR		R8624	1-216-835-11	METAL CHIP 15K 5% 1/10W		
928		A2G	RESISTOR		R8625	1-216-864-11	SHORT CHIP 0		
929		A2G	RESISTOR		R8700	1-216-864-11	SHORT CHIP 0		
930		A2G	RESISTOR		R8701	1-216-864-11	SHORT CHIP 0		
931		A2G	RESISTOR		R8702	1-216-864-11	SHORT CHIP 0		
932		A2G	RESISTOR		R8703	1-216-864-11	SHORT CHIP 0		
933		A2G	RESISTOR		R8704	1-216-864-11	SHORT CHIP 0		
934		A2G	RESISTOR		R9009	1-216-811-11	METAL CHIP 150 5% 1/10W		
935		A2G	RESISTOR		R9010	1-218-285-11	METAL CHIP 75 5% 1/10W		
936		A2G	RESISTOR		R9011	1-216-811-11	METAL CHIP 150 5% 1/10W		
937		A2G	RESISTOR		R9012	1-216-811-11	METAL CHIP 150 5% 1/10W		
938		A2G	RESISTOR		R9013	1-218-285-11	METAL CHIP 75 5% 1/10W		
939		A2G	RESISTOR		R9014	1-216-811-11	METAL CHIP 150 5% 1/10W		
940		A2G	RESISTOR		R9015	1-216-811-11	METAL CHIP 150 5% 1/10W		
941		A2G	RESISTOR		R9016	1-216-811-11	METAL CHIP 150 5% 1/10W		
942		A2G	RESISTOR		R9017	1-216-811-11	METAL CHIP 150 5% 1/10W		
943		A2G	RESISTOR		R9018	1-216-811-11	METAL CHIP 150 5% 1/10W		
944		A2G	RESISTOR		R9047	1-216-809-11	METAL CHIP 100 5% 1/10W		
945		A2G	RESISTOR		R9048	1-216-809-11	METAL CHIP 100 5% 1/10W		
946		A2G	RESISTOR		R9049	1-216-821-11	METAL CHIP 1K 5% 1/10W		
947		A2G	RESISTOR		R9050	1-216-821-11	METAL CHIP 1K 5% 1/10W		
948		A2G	RESISTOR		R9051	1-216-809-11	METAL CHIP 100 5% 1/10W		
949		A2G	RESISTOR		R9052	1-216-809-11	METAL CHIP 100 5% 1/10W		
950		A2G	RESISTOR		R9053	1-216-809-11	METAL CHIP 100 5% 1/10W		
951		A2G	RESISTOR		R9054	1-216-821-11	METAL CHIP 1K 5% 1/10W		
952		A2G	RESISTOR		R9055	1-216-821-11	METAL CHIP 1K 5% 1/10W		
953		A2G	RESISTOR		R9056	1-216-809-11	METAL CHIP 100 5% 1/10W		
954		A2G	RESISTOR		R9120	1-216-853-11	METAL CHIP 470K 5% 1/10W		
955		A2G	RESISTOR		R9121	1-216-821-11	METAL CHIP 1K 5% 1/10W		
956		A2G	RESISTOR		R9122	1-216-853-11	METAL CHIP 470K 5% 1/10W		
957		A2G	RESISTOR		R9123	1-216-821-11	METAL CHIP 1K 5% 1/10W		
958		A2G	RESISTOR		R9124	1-216-853-11	METAL CHIP 470K 5% 1/10W		
959		A2G	RESISTOR		R9125	1-216-821-11	METAL CHIP 1K 5% 1/10W		
960		A2G	RESISTOR		R9126	1-216-853-11	METAL CHIP 470K 5% 1/10W		
961		A2G	RESISTOR		R9127	1-216-821-11	METAL CHIP 1K 5% 1/10W		
962		A2G	RESISTOR		R9401	1-216-864-11	SHORT CHIP 0		

No.	#	Board	Type	Δ/J^*	Ref. No.	Part No.	Description	Remarks-1	Remarks-2
963		A2G	RESISTOR		R9402	1-216-864-11	SHORT CHIP 0		
964		A2G	RESISTOR		R9407	1-216-864-11	SHORT CHIP 0		
965		A2G	RESISTOR		R9408	1-216-864-11	SHORT CHIP 0		
966		A2G	RESISTOR		R9409	1-216-864-11	SHORT CHIP 0		
967		A2G	RESISTOR		R9576	1-216-817-11	METAL CHIP 470 5% 1/10W		
968		A2G	RESISTOR		R9577	1-216-817-11	METAL CHIP 470 5% 1/10W		
969		A2G	RESISTOR		R9607	1-216-821-11	METAL CHIP 1K 5% 1/10W		
970		A2G	RESISTOR		R9608	1-216-864-11	SHORT CHIP 0		
971		A2G	RESISTOR		R9609	1-216-833-11	METAL CHIP 10K 5% 1/10W		
972		A2G	RESISTOR		R9610	1-216-837-11	METAL CHIP 22K 5% 1/10W		
973		A2G	RESISTOR		R9611	1-216-809-11	METAL CHIP 100 5% 1/10W		
974		A2G	RESISTOR		R9612	1-216-825-11	METAL CHIP 2.2K 5% 1/10W		
975		A2G	RESISTOR		R9613	1-216-809-11	METAL CHIP 100 5% 1/10W		
976		A2G	RESISTOR		R9614	1-216-864-11	SHORT CHIP 0		
977		A2G	RESISTOR		R9615	1-216-821-11	METAL CHIP 1K 5% 1/10W		
978		A2G	RESISTOR		R9616	1-216-825-11	METAL CHIP 2.2K 5% 1/10W		
979		A2G	RESISTOR		R9617	1-216-809-11	METAL CHIP 100 5% 1/10W		
980		A2G	RESISTOR		R9618	1-216-825-11	METAL CHIP 2.2K 5% 1/10W		
981		A2G	RESISTOR		R9619	1-216-825-11	METAL CHIP 2.2K 5% 1/10W		
982		A2G	RESISTOR		R9620	1-216-864-11	SHORT CHIP 0		
983		A2G	RESISTOR		R9621	1-216-864-11	SHORT CHIP 0		
984		A2G	RESISTOR		R9623	1-216-864-11	SHORT CHIP 0		
985		A2G	RESISTOR		R9624	1-216-864-11	SHORT CHIP 0		
986		A2G	RESISTOR		R9628	1-216-825-11	METAL CHIP 2.2K 5% 1/10W		
987		A2G	RESISTOR		R9629	1-216-825-11	METAL CHIP 2.2K 5% 1/10W		
988		A2G	RESISTOR		R9630	1-216-809-11	METAL CHIP 100 5% 1/10W		
989		A2G	RESISTOR		R9631	1-216-809-11	METAL CHIP 100 5% 1/10W		
990		A2G	RESISTOR		R9632	1-216-825-11	METAL CHIP 2.2K 5% 1/10W		
991		A2G	RESISTOR		R9633	1-216-825-11	METAL CHIP 2.2K 5% 1/10W		
992		A2G	RESISTOR		R9634	1-216-825-11	METAL CHIP 2.2K 5% 1/10W		
993		A2G	RESISTOR		R9636	1-216-864-11	SHORT CHIP 0		
994		A2G	RESISTOR		R9637	1-216-864-11	SHORT CHIP 0		
995		A2G	RESISTOR		R9638	1-216-837-11	METAL CHIP 22K 5% 1/10W		
996		A2G	RESISTOR		R9639	1-216-833-11	METAL CHIP 10K 5% 1/10W		
997		A2G	RESISTOR		R9640	1-216-809-11	METAL CHIP 100 5% 1/10W		
998		A2G	RESISTOR		R9641	1-216-029-00	RES-CHIP 150 5% 1/10W		
999		A2G	RESISTOR		R9642	1-216-029-00	RES-CHIP 150 5% 1/10W		
1000		A2G	RESISTOR		R9643	1-216-029-00	RES-CHIP 150 5% 1/10W		
1001		A2G	RESISTOR		R9646	1-216-864-11	SHORT CHIP 0		
1002		A2G	RESISTOR		R9647	1-216-812-11	METAL CHIP 180 5% 1/10W		
1003		A2G	RESISTOR		R9648	1-216-821-11	METAL CHIP 1K 5% 1/10W		
1004		A2G	RESISTOR		R9649	1-216-833-11	METAL CHIP 10K 5% 1/10W		
1005		A2G	RESISTOR		R9650	1-216-853-11	METAL CHIP 470K 5% 1/10W		
1006		A2G	RESISTOR		R9651	1-218-898-11	METAL CHIP 130K 0.5% 1/10W		
1007		A2G	RESISTOR		R9652	1-216-825-11	METAL CHIP 2.2K 5% 1/10W		
1008		A2G	RESISTOR		R9653	1-216-825-11	METAL CHIP 2.2K 5% 1/10W		
1009		A2G	RESISTOR		R9656	1-216-809-11	METAL CHIP 100 5% 1/10W		
1010		A2G	RESISTOR		R9658	1-218-867-11	METAL CHIP 6.8K 0.5% 1/10W		
1011		A2G	RESISTOR		R9659	1-218-849-11	METAL CHIP 1.2K 0.5% 1/10W		
1012		A2G	RESISTOR		R9660	1-218-859-11	METAL CHIP 3.3K 0.5% 1/10W		
1013		A2G	RESISTOR		R9661	1-218-855-11	METAL CHIP 2.2K 0.5% 1/10W		
1014		A2G	RESISTOR		R9662	1-218-851-11	METAL CHIP 1.5K 0.5% 1/10W		
1015		A2G	RESISTOR		R9663	1-216-809-11	METAL CHIP 100 5% 1/10W		
1016		A2G	RESISTOR		R9664	1-218-863-11	METAL CHIP 4.7K 0.5% 1/10W		
1017		A2G	RESISTOR		R9667	1-216-850-11	METAL CHIP 270K 5% 1/10W		
1018		A2G	RESISTOR		R9668	1-216-853-11	METAL CHIP 470K 5% 1/10W		
1019		A2G	RESISTOR		R9669	1-216-853-11	METAL CHIP 470K 5% 1/10W		
1020		A2G	RESISTOR		R9670	1-216-829-11	METAL CHIP 4.7K 5% 1/10W		
1021		A2G	RESISTOR		R9671	1-216-864-11	SHORT CHIP 0		
1022		A2G	RESISTOR		R9672	1-216-821-11	METAL CHIP 1K 5% 1/10W		
1023		A2G	RESISTOR		R9673	1-216-813-11	METAL CHIP 220 5% 1/10W		
1024		A2G	RESISTOR		R9674	1-216-029-00	RES-CHIP 150 5% 1/10W		
1025		A2G	RESISTOR		R9675	1-216-821-11	METAL CHIP 1K 5% 1/10W		
1026		A2G	RESISTOR		R9676	1-216-821-11	METAL CHIP 1K 5% 1/10W		
1027		A2G	RESISTOR		R9677	1-216-817-11	METAL CHIP 470 5% 1/10W		
1028		A2G	RESISTOR		R9679	1-216-809-11	METAL CHIP 100 5% 1/10W		
1029		A2G	RESISTOR		R9680	1-216-821-11	METAL CHIP 1K 5% 1/10W		
1030		A2G	RESISTOR		R9681	1-216-809-11	METAL CHIP 100 5% 1/10W		
1031		A2G	RESISTOR		R9682	1-216-864-11	SHORT CHIP 0		
1032		A2G	RESISTOR		R9683	1-216-864-11	SHORT CHIP 0		
1033		A2G	RESISTOR		R9684	1-216-864-11	SHORT CHIP 0		
1034		A2G	RESISTOR		R9685	1-216-864-11	SHORT CHIP 0		
1035		A2G	RESISTOR		R9686	1-216-864-11	SHORT CHIP 0		
1036		A2G	RESISTOR		R9687	1-216-833-11	METAL CHIP 10K 5% 1/10W		

No.	#	Board	Type	Δ / [*]	Ref. No.	Part No.	Description	Remarks-1	Remarks-2
1037		A2G	RESISTOR		R9689	1-216-821-11	METAL CHIP 1K 5% 1/10W		
1038		A2G	RESISTOR		R9690	1-216-821-11	METAL CHIP 1K 5% 1/10W		
1039		A2G	RESISTOR		R9692	1-216-029-00	RES-CHIP 150 5% 1/10W		
1040		A2G	RESISTOR		R9693	1-216-029-00	RES-CHIP 150 5% 1/10W		
1041		A2G	RESISTOR		R9697	1-216-029-00	RES-CHIP 150 5% 1/10W		
1042		A2G	RESISTOR		R9698	1-216-029-00	RES-CHIP 150 5% 1/10W		
1043		A2G	RESISTOR		R9699	1-216-029-00	RES-CHIP 150 5% 1/10W		
1044		A2G	RESISTOR		R9700	1-216-805-11	METAL CHIP 47 5% 1/10W		
1045		A2G	RESISTOR		R9702	1-216-821-11	METAL CHIP 1K 5% 1/10W		
1046		A2G	RESISTOR		R9703	1-216-821-11	METAL CHIP 1K 5% 1/10W		
1047		A2G	RESISTOR		R9704	1-216-853-11	METAL CHIP 470K 5% 1/10W		
1048		A2G	RESISTOR		R9705	1-216-853-11	METAL CHIP 470K 5% 1/10W		
1049		A2G	RESISTOR		R9706	1-216-864-11	SHORT CHIP 0		
1050		A2G	RESISTOR		R9707	1-216-029-00	RES-CHIP 150 5% 1/10W		
1051		A2G	RESISTOR		R9708	1-216-029-00	RES-CHIP 150 5% 1/10W		
1052		A2G	RESISTOR		R9709	1-216-029-00	RES-CHIP 150 5% 1/10W		
1053		A2G	RESISTOR		R9710	1-216-864-11	SHORT CHIP 0		
1054		A2G	RESISTOR		R9713	1-216-864-11	SHORT CHIP 0		
1055		A2G	RESISTOR		R9714	1-216-821-11	METAL CHIP 1K 5% 1/10W		
1056		A2G	RESISTOR		R9716	1-216-837-11	METAL CHIP 22K 5% 1/10W		
1057		A2G	RESISTOR		R9717	1-216-833-11	METAL CHIP 10K 5% 1/10W		
1058		A2G	RESISTOR		R9718	1-216-809-11	METAL CHIP 100 5% 1/10W		
1059		A2G	RESISTOR		R9719	1-216-805-11	METAL CHIP 47 5% 1/10W		
1060		A2G	RESISTOR		R9720	1-216-821-11	METAL CHIP 1K 5% 1/10W		
1061		A2G	RESISTOR		R9722	1-216-837-11	METAL CHIP 22K 5% 1/10W		
1062		A2G	RESISTOR		R9723	1-216-837-11	METAL CHIP 22K 5% 1/10W		
1063		A2G	RESISTOR		R9724	1-216-836-11	METAL CHIP 18K 5% 1/10W		
1064		A2G	RESISTOR		R9725	1-216-805-11	METAL CHIP 47 5% 1/10W		
1065		A2G	RESISTOR		R9726	1-216-821-11	METAL CHIP 1K 5% 1/10W		
1066		A2G	RESISTOR		R9728	1-216-837-11	METAL CHIP 22K 5% 1/10W		
1067		A2G	RESISTOR		R9729	1-216-833-11	METAL CHIP 10K 5% 1/10W		
1068		A2G	RESISTOR		R9730	1-216-809-11	METAL CHIP 100 5% 1/10W		
1069		A2G	RESISTOR		R9731	1-216-853-11	METAL CHIP 470K 5% 1/10W		
1070		A2G	RESISTOR		R9732	1-216-853-11	METAL CHIP 470K 5% 1/10W		
1071		A2G	RESISTOR		R9733	1-216-805-11	METAL CHIP 47 5% 1/10W		
1072		A2G	RESISTOR		R9734	1-216-821-11	METAL CHIP 1K 5% 1/10W		
1073		A2G	RESISTOR		R9736	1-216-837-11	METAL CHIP 22K 5% 1/10W		
1074		A2G	RESISTOR		R9737	1-216-833-11	METAL CHIP 10K 5% 1/10W		
1075		A2G	RESISTOR		R9738	1-216-809-11	METAL CHIP 100 5% 1/10W		
1076		A2G	RESISTOR		R9739	1-216-805-11	METAL CHIP 47 5% 1/10W		
1077		A2G	RESISTOR		R9740	1-216-821-11	METAL CHIP 1K 5% 1/10W		
1078		A2G	RESISTOR		R9742	1-216-837-11	METAL CHIP 22K 5% 1/10W		
1079		A2G	RESISTOR		R9743	1-216-833-11	METAL CHIP 10K 5% 1/10W		
1080		A2G	RESISTOR		R9744	1-216-809-11	METAL CHIP 100 5% 1/10W		
1081		A2G	RESISTOR		R9745	1-216-805-11	METAL CHIP 47 5% 1/10W		
1082		A2G	RESISTOR		R9746	1-216-821-11	METAL CHIP 1K 5% 1/10W		
1083		A2G	RESISTOR		R9748	1-216-837-11	METAL CHIP 22K 5% 1/10W		
1084		A2G	RESISTOR		R9749	1-216-833-11	METAL CHIP 10K 5% 1/10W		
1085		A2G	RESISTOR		R9750	1-216-809-11	METAL CHIP 100 5% 1/10W		
1086		A2G	RESISTOR		R9751	1-216-825-11	METAL CHIP 2.2K 5% 1/10W		
1087		A2G	RESISTOR		R9899	1-216-864-11	SHORT CHIP 0		
1088		A2G	CHIP CHCKER		TP9403	1-535-757-11	CHIP, CHECKER		
1089		A2G	CHIP CHCKER		TP9404	1-535-757-11	CHIP, CHECKER		
1090		A2G	TUNER		TU9500	8-597-535-00	TUNER, FSS BTF-BG412Z		
1091		A2G	VARISTOR		VD6044	1-803-974-21	VARISTOR, CHIP (1608)		
1092		A2G	VARISTOR		VD7800	1-803-974-21	VARISTOR, CHIP (1608)		
1093		A2G	VARISTOR		VD7801	1-801-925-21	VARISTOR, CHIP (1608)		
1094		A2G	VARISTOR		VD7802	1-801-925-21	VARISTOR, CHIP (1608)		
1095		A2G	VARISTOR		VD7803	1-803-974-21	VARISTOR, CHIP (1608)		
1096		A2G	VARISTOR		VD7804	1-803-974-21	VARISTOR, CHIP (1608)		
1097		A2G	VARISTOR		VD7805	1-803-974-21	VARISTOR, CHIP (1608)		
1098		A2G	VARISTOR		VD7806	1-801-925-21	VARISTOR, CHIP (1608)		
1099		A2G	VARISTOR		VD7807	1-801-925-21	VARISTOR, CHIP (1608)		
1100		A2G	VARISTOR		VD7808	1-801-925-21	VARISTOR, CHIP (1608)		
1101		A2G	VARISTOR		VD7809	1-801-925-21	VARISTOR, CHIP (1608)		
1102		A2G	VARISTOR		VD7810	1-803-974-21	VARISTOR, CHIP (1608)		
1103		A2G	VARISTOR		VD7811	1-803-974-21	VARISTOR, CHIP (1608)		
1104		A2G	VARISTOR		VD7812	1-803-974-21	VARISTOR, CHIP (1608)		
1105		A2G	VARISTOR		VD9001	1-803-974-21	VARISTOR, CHIP (1608)		
1106		A2G	VARISTOR		VD9002	1-803-974-21	VARISTOR, CHIP (1608)		
1107		A2G	VARISTOR		VD9003	1-803-974-21	VARISTOR, CHIP (1608)		
1108		A2G	VARISTOR		VD9004	1-803-974-21	VARISTOR, CHIP (1608)		
1109		A2G	VARISTOR		VD9005	1-803-974-21	VARISTOR, CHIP (1608)		
1110		A2G	VARISTOR		VD9006	1-803-974-21	VARISTOR, CHIP (1608)		

No.	#	Board	Type	Δ / [*]	Ref. No.	Part No.	Description	Remarks-1	Remarks-2
1111		A2G	VARISTOR		VD9040	1-803-974-21	VARISTOR, CHIP (1608)		
1112		A2G	VARISTOR		VD9041	1-803-974-21	VARISTOR, CHIP (1608)		
1113		A2G	VARISTOR		VD9042	1-803-974-21	VARISTOR, CHIP (1608)		
1114		A2G	VARISTOR		VD9043	1-803-974-21	VARISTOR, CHIP (1608)		
1115		A2G	VARISTOR		VD9045	1-803-974-21	VARISTOR, CHIP (1608)		
1116		A2G	VARISTOR		VD9046	1-803-974-21	VARISTOR, CHIP (1608)		
1117		A2G	VARISTOR		VD9047	1-803-974-21	VARISTOR, CHIP (1608)		
1118		A2G	VARISTOR		VD9048	1-803-974-21	VARISTOR, CHIP (1608)		
1119		A2G	VARISTOR		VD9049	1-803-974-21	VARISTOR, CHIP (1608)		
1120		A2G	VARISTOR		VD9050	1-803-974-21	VARISTOR, CHIP (1608)		
1121		A2G	VARISTOR		VD9051	1-803-974-21	VARISTOR, CHIP (1608)		
1122		A2G	VARISTOR		VD9052	1-803-974-21	VARISTOR, CHIP (1608)		
1123		A2G	VARISTOR		VD9053	1-803-974-21	VARISTOR, CHIP (1608)		
1124		A2G	CRYSTAL		X2500	1-781-914-21	VIBRATOR, CRYSTAL		
1125		A2G	CRYSTAL		X7800	1-795-612-11	VIBRATOR, CRYSTAL		
1126		H2	CAPACITOR		C9041	1-125-891-11	CERAMIC CHIP 0.47UF 10.00% 10V		
1127		H2	CAPACITOR		C9048	1-164-505-11	CERAMIC CHIP 2.2UF 16V		
1128		H2	CAPACITOR		C9049	1-164-505-11	CERAMIC CHIP 2.2UF 16V		
1129		H2	CAPACITOR		C9050	1-164-505-11	CERAMIC CHIP 2.2UF 16V		
1130		H2	CAPACITOR		C9077	1-162-964-11	CERAMIC CHIP 0.001UF 10.00% 50V		
1131		H2	CAPACITOR		C9078	1-165-908-11	CERAMIC CHIP 1UF 10% 10V		
1132		H2	CAPACITOR		C9079	1-162-964-11	CERAMIC CHIP 0.001UF 10.00% 50V		
1133		H2	CAPACITOR		C9080	1-165-908-11	CERAMIC CHIP 1UF 10% 10V		
1134		H2	CAPACITOR		C9081	1-162-927-11	CERAMIC CHIP 100PF 5.00% 50V		
1135		H2	CAPACITOR		C9082	1-162-927-11	CERAMIC CHIP 100PF 5.00% 50V		
1136		H2	CAPACITOR		C9851	1-162-927-11	CERAMIC CHIP 100PF 5.00% 50V		
1137		H2	CAPACITOR		C9852	1-164-227-11	CERAMIC CHIP 0.022UF 10.00% 25V		
1138		H2	CAPACITOR		C9853	1-162-927-11	CERAMIC CHIP 100PF 5.00% 50V		
1139		H2	CAPACITOR		C9854	1-164-227-11	CERAMIC CHIP 0.022UF 10.00% 25V		
1140		H2	CONNECTOR		CN9851	1-573-290-21	PIN, CONNECTOR (1.5MM) (SMD)4P		
1141		H2	DIODE		D9035	8-719-977-28	DIODE DTZ10B		
1142		H2	DIODE		D9036	8-719-977-28	DIODE DTZ10B		
1143		H2	DIODE		D9037	8-719-977-28	DIODE DTZ10B		
1144		H2	DIODE		D9038	8-719-977-28	DIODE DTZ10B		
1145		H2	DIODE		D9058	8-719-977-28	DIODE DTZ10B		
1146		H2	DIODE		D9059	8-719-977-28	DIODE DTZ10B		
1147		H2	JACK		J9006	1-780-244-11	TERMINAL BLOCK, S(RIGHT ANGLE)		
1148		H2	JACK		J9852	1-568-267-11	JACK		
1149		H2	RESISTOR		R9103	1-216-811-11	METAL CHIP 150 5% 1/10W		
1150		H2	RESISTOR		R9104	1-218-285-11	METAL CHIP 75 5% 1/10W		
1151		H2	RESISTOR		R9105	1-216-811-11	METAL CHIP 150 5% 1/10W		
1152		H2	RESISTOR		R9108	1-216-811-11	METAL CHIP 150 5% 1/10W		
1153		H2	RESISTOR		R9109	1-216-811-11	METAL CHIP 150 5% 1/10W		
1154		H2	RESISTOR		R9112	1-216-864-11	SHORT CHIP 0		
1155		H2	RESISTOR		R9113	1-216-864-11	SHORT CHIP 0		
1156		H2	RESISTOR		R9114	1-216-809-11	METAL CHIP 100 5% 1/10W		
1157		H2	RESISTOR		R9115	1-216-821-11	METAL CHIP 1K 5% 1/10W		
1158		H2	RESISTOR		R9116	1-216-864-11	SHORT CHIP 0		
1159		H2	RESISTOR		R9136	1-216-853-11	METAL CHIP 470K 5% 1/10W		
1160		H2	RESISTOR		R9137	1-216-821-11	METAL CHIP 1K 5% 1/10W		
1161		H2	RESISTOR		R9138	1-216-853-11	METAL CHIP 470K 5% 1/10W		
1162		H2	RESISTOR		R9139	1-216-821-11	METAL CHIP 1K 5% 1/10W		
1163		H2	RESISTOR		R9142	1-216-864-11	SHORT CHIP 0		
1164		H2	RESISTOR		R9851	1-216-797-11	METAL CHIP 10 5% 1/10W		
1165		H2	RESISTOR		R9852	1-216-797-11	METAL CHIP 10 5% 1/10W		
1166		H2	VARISTOR		VD9022	1-803-974-21	VARISTOR, CHIP (1608)		
1167		H2	VARISTOR		VD9023	1-803-974-21	VARISTOR, CHIP (1608)		
1168		H2	VARISTOR		VD9024	1-803-974-21	VARISTOR, CHIP (1608)		
1169		H2	VARISTOR		VD9058	1-803-974-21	VARISTOR, CHIP (1608)		
1170		H2	VARISTOR		VD9059	1-803-974-21	VARISTOR, CHIP (1608)		
1171		H2	VARISTOR		VD9851	1-803-974-21	VARISTOR, CHIP (1608)		
1172		H2	VARISTOR		VD9852	1-801-925-21	VARISTOR, CHIP (1608)		
1173		H2	VARISTOR		VD9853	1-801-925-21	VARISTOR, CHIP (1608)		
1174		H3	CAPACITOR		C9902	1-126-205-11	ELECT CHIP 47UF 20.00% 6.3V		
1175		H3	CAPACITOR		C9903	1-124-779-00	ELECT CHIP 10UF 20.00% 16V		
1176		H3	CAPACITOR		C9904	1-162-964-11	CERAMIC CHIP 0.001UF 10.00% 50V		
1177		H3	CAPACITOR		C9905	1-119-667-11	CERAMIC CHIP 22UF 10V		
1178		H3	CAPACITOR		C9907	1-107-826-11	CERAMIC CHIP 0.1UF 10.00% 16V		
1179		H3	CONNECTOR		CN9901	1-784-254-11	CONNECTOR 10P		
1180		H3	DIODE		D9903	6-500-861-01	DIODE SML-020MVT-T86		
1181		H3	DIODE		D9906	6-500-861-01	DIODE SML-020MVT-T86		
1182		H3	DIODE		D9909	8-719-036-94	DIODE RD5.6SB-T1		
1183		H3	DIODE		D9912	8-719-064-07	DIODE SML-310LTT86		
1184		H3	IC		IC9901	6-600-271-01	IC RPM7140-H8		

No.	#	Board	Type	Δ/\ast	Ref. No.	Part No.	Description	Remarks-1	Remarks-2
1185		H3	IC		IC9902	6-600-418-01	IC TPS851(A.SONY)		
1186		H3	TRANSISTOR		Q9902	8-729-907-00	TRANSISTOR DTC114EU		
1187		H3	TRANSISTOR		Q9903	8-729-907-00	TRANSISTOR DTC114EU		
1188		H3	TRANSISTOR		Q9904	8-729-907-00	TRANSISTOR DTC114EU		
1189		H3	TRANSISTOR		Q9905	8-729-907-00	TRANSISTOR DTC114EU		
1190		H3	TRANSISTOR		Q9906	8-729-026-53	TRANSISTOR 2SA1576A-T106-QR		
1191		H3	TRANSISTOR		Q9907	8-729-907-00	TRANSISTOR DTC114EU		
1192		H3	RESISTOR		R9902	1-216-820-11	METAL CHIP 820 5% 1/10W		
1193		H3	RESISTOR		R9903	1-216-817-11	METAL CHIP 470 5% 1/10W		
1194		H3	RESISTOR		R9904	1-216-820-11	METAL CHIP 820 5% 1/10W		
1195		H3	RESISTOR		R9906	1-216-823-11	METAL CHIP 1.5K 5% 1/10W		
1196		H3	RESISTOR		R9907	1-216-817-11	METAL CHIP 470 5% 1/10W		
1197		H3	RESISTOR		R9908	1-216-805-11	METAL CHIP 47 5% 1/10W		
1198		H3	RESISTOR		R9910	1-216-821-11	METAL CHIP 1K 5% 1/10W		
1199		H3	RESISTOR		R9911	1-216-839-11	METAL CHIP 33K 5% 1/10W		
1200		H3	RESISTOR		R9912	1-216-833-11	METAL CHIP 10K 5% 1/10W		
1201		H3	RESISTOR		R9914	1-216-833-11	METAL CHIP 10K 5% 1/10W		
1202		H3	RESISTOR		R9915	1-216-837-11	METAL CHIP 22K 5% 1/10W		
1203		H3	RESISTOR		R9916	1-216-827-11	METAL CHIP 3.3K 5% 1/10W		
1204		H3	RESISTOR		R9917	1-216-817-11	METAL CHIP 470 5% 1/10W		
1205		H3	RESISTOR		R9918	1-216-864-11	SHORT CHIP 0		
1206		H1E	CAPACITOR		C9801	1-107-826-11	CERAMIC CHIP 0.1UF 10.00% 16V		
1207		H1E	CAPACITOR		C9802	1-107-826-11	CERAMIC CHIP 0.1UF 10.00% 16V		
1208		H1E	CONNECTOR		CN9802	1-778-507-21	PIN, CONNECTOR (PC BOARD) 4P		
1209		H1E	DIODE		D9801	8-719-036-94	DIODE RD5.6SB-T1		
1210		H1E	DIODE		D9802	8-719-036-94	DIODE RD5.6SB-T1		
1211		H1E	RESISTOR		R9801	1-216-864-11	SHORT CHIP 0		
1212		H1E	RESISTOR		R9802	1-218-837-11	METAL CHIP 390 0.5% 1/10W		
1213		H1E	RESISTOR		R9803	1-218-827-11	METAL CHIP 150 0.5% 1/10W		
1214		H1E	RESISTOR		R9804	1-218-865-11	METAL CHIP 5.6K 0.5% 1/10W		
1215		H1E	RESISTOR		R9805	1-216-864-11	SHORT CHIP 0		
1216		H1E	RESISTOR		R9806	1-218-839-11	METAL CHIP 470 0.5% 1/10W		
1217		H1E	RESISTOR		R9807	1-218-847-11	METAL CHIP 1K 0.5% 1/10W		
1218		H1E	RESISTOR		R9808	1-218-855-11	METAL CHIP 2.2K 0.5% 1/10W		
1219		H1E	RESISTOR		R9810	1-216-864-11	SHORT CHIP 0		
1220		H1E	SWITCH		S9801	1-771-105-11	SWITCH, TACTILE		
1221		H1E	SWITCH		S9802	1-771-105-11	SWITCH, TACTILE		
1222		H1E	SWITCH		S9803	1-771-105-11	SWITCH, TACTILE		
1223		H1E	SWITCH		S9804	1-771-105-11	SWITCH, TACTILE		
1224		H1E	SWITCH		S9805	1-771-105-11	SWITCH, TACTILE		
1225		H1E	SWITCH		S9806	1-771-105-11	SWITCH, TACTILE		
1226		H1E	SWITCH		S9807	1-771-105-11	SWITCH, TACTILE		
1227		H1E	SWITCH		S9808	1-771-105-11	SWITCH, TACTILE		
1228		H1E	VARISTOR		VDR980	1-803-974-21	VARISTOR, CHIP (1608)		
1229		H1E	VARISTOR		VDR981	1-803-974-21	VARISTOR, CHIP (1608)		
1230		H1E	VARISTOR		VDR982	1-803-974-21	VARISTOR, CHIP (1608)		
1231		H1E	VARISTOR		VDR983	1-803-974-21	VARISTOR, CHIP (1608)		
1232		H1E	VARISTOR		VDR984	1-803-974-21	VARISTOR, CHIP (1608)		
1233		H1E	VARISTOR		VDR985	1-803-974-21	VARISTOR, CHIP (1608)		
1234		H1E	VARISTOR		VDR986	1-803-974-21	VARISTOR, CHIP (1608)		
1235		H1E	VARISTOR		VDR987	1-803-974-21	VARISTOR, CHIP (1608)		
1236		G2	CAPACITOR		C6000	1-161-964-91	CERAMIC 0.0047UF 250V	KLV-S26/S32A10	
1237		G2	CAPACITOR		C6001	1-119-891-51	CERAMIC 220PF 10.00% 250V	KLV-S26/S32A10	
1238		G2	CAPACITOR		C6002	1-165-529-31	MYLAR 0.22UF 10 0V	KLV-S26/S32A10	
1239		G2	CAPACITOR		C6003	1-161-964-91	CERAMIC 0.0047UF 250V	KLV-S26/S32A10	
1240		G2	CAPACITOR		C6004	1-165-529-31	MYLAR 0.22UF 10 0V	KLV-S26/S32A10	
1241		G2	CAPACITOR		C6005	1-119-891-51	CERAMIC 220PF 10.00% 250V	KLV-S26/S32A10	
1242		G2	CAPACITOR		C6008	1-112-312-11	ELECT(BLOCK) 270UF 20% 450V	KLV-S26/S32A10	
1243		G2	CAPACITOR		C6010	1-128-954-11	ELECT 1000UF 20% 25V	KLV-S26/S32A10	
1244		G2	CAPACITOR		C6012	1-113-889-11	CERAMIC 0.001UF 20.00% 250V	KLV-S26/S32A10	
1245		G2	CAPACITOR		C6013	1-119-891-51	CERAMIC 220PF 10.00% 250V	KLV-S26/S32A10	
1246		G2	CAPACITOR		C6014	1-119-891-51	CERAMIC 220PF 10.00% 250V	KLV-S26/S32A10	
1247		G2	CAPACITOR		C6100	1-162-970-11	CERAMIC CHIP 0.01UF 10.00% 25V	KLV-S26/S32A10	
1248		G2	CAPACITOR		C6101	1-107-905-11	ELECT 4.7UF 20% 50V	KLV-S26/S32A10	
1249		G2	CAPACITOR		C6102	1-107-910-11	ELECT 100UF 20% 50V	KLV-S26/S32A10	
1250		G2	CAPACITOR		C6103	1-162-970-11	CERAMIC CHIP 0.01UF 10.00% 25V	KLV-S26/S32A10	
1251		G2	CAPACITOR		C6104	1-100-831-91	CERAMIC CHIP 0.001UF 2% 50V	KLV-S26/S32A10	
1252		G2	CAPACITOR		C6105	1-107-906-11	ELECT 10UF 20% 50V	KLV-S26/S32A10	
1253		G2	CAPACITOR		C6108	1-115-340-11	CERAMIC CHIP 0.22UF 10.00% 25V	KLV-S26/S32A10	
1254		G2	CAPACITOR		C6109	1-107-888-11	ELECT 47UF 20% 25V	KLV-S26/S32A10	
1255		G2	CAPACITOR		C6111	1-100-613-81	CERAMIC 470PF 5% 1KV	KLV-S26/S32A10	
1256		G2	CAPACITOR		C6112	1-100-311-91	FILM 22000PF 3% 800V	KLV-S26/S32A10	
1257		G2	CAPACITOR		C6116	1-163-021-91	CERAMIC CHIP 0.01UF 10.00% 50V	KLV-S26/S32A10	
1258		G2	CAPACITOR		C6200	1-164-227-11	CERAMIC CHIP 0.022UF 10.00% 25V	KLV-S26/S32A10	

No.	#	Board	Type	Δ/J^*	Ref. No.	Part No.	Description	Remarks-1	Remarks-2
1259		G2	CAPACITOR		C6202	1-131-976-11	ELECT 820UF 20% 25V	KLV-S26/S32A10	
1260		G2	CAPACITOR		C6203	1-107-907-11	ELECT 22UF 20% 50V	KLV-S26/S32A10	
1261		G2	CAPACITOR		C6204	1-128-954-11	ELECT 1000UF 20% 25V	KLV-S26/S32A10	
1262		G2	CAPACITOR		C6205	1-128-954-11	ELECT 1000UF 20% 25V	KLV-S26/S32A10	
1263		G2	CAPACITOR		C6206	1-162-964-11	CERAMIC CHIP 0.001UF 10.00% 50V	KLV-S26/S32A10	
1264		G2	CAPACITOR		C6213	1-162-964-11	CERAMIC CHIP 0.001UF 10.00% 50V	KLV-S26/S32A10	
1265		G2	CAPACITOR		C6216	1-107-928-11	ELECT 4.7UF 20% 100V	KLV-S26/S32A10	
1266		G2	CAPACITOR		C6217	1-135-362-31	ELECT 1500UF 20% 16V	KLV-S26/S32A10	
1267		G2	CAPACITOR		C6300	1-161-964-91	CERAMIC 0.0047UF 250V	KLV-S26/S32A10	
1268		G2	CAPACITOR		C6301	1-161-964-91	CERAMIC 0.0047UF 250V	KLV-S26/S32A10	
1269		G2	CAPACITOR		C6304	1-100-780-31	ELECT 22UF 20% 450V	KLV-S26/S32A10	
1270		G2	CAPACITOR		C6305	1-107-974-11	CERAMIC 47PF 5.00% 2KV	KLV-S26/S32A10	
1271		G2	CAPACITOR		C6306	1-107-903-11	ELECT 2.2UF 20% 50V	KLV-S26/S32A10	
1272		G2	CAPACITOR		C6307	1-162-964-11	CERAMIC CHIP 0.001UF 10.00% 50V	KLV-S26/S32A10	
1273		G2	CAPACITOR		C6308	1-165-127-11	CERAMIC 470PF 10.00% 500V	KLV-S26/S32A10	
1274		G2	CAPACITOR		C6309	1-107-905-11	ELECT 4.7UF 20% 50V	KLV-S26/S32A10	
1275		G2	CAPACITOR		C6310	1-107-910-11	ELECT 100UF 20% 50V	KLV-S26/S32A10	
1276		G2	CAPACITOR		C6314	1-165-729-31	ELECT 470UF 20% 16V	KLV-S26/S32A10	
1277		G2	CAPACITOR		C6315	1-107-826-11	CERAMIC CHIP 0.1UF 10.00% 16V	KLV-S26/S32A10	
1278		G2	CAPACITOR		C6400	1-107-902-11	ELECT 1UF 20% 50V	KLV-S26/S32A10	
1279		G2	CAPACITOR		C6401	1-107-882-91	ELECT 100UF 20% 16V	KLV-S26/S32A10	
1280		G2	CAPACITOR		C6403	1-107-902-11	ELECT 1UF 20% 50V	KLV-S26/S32A10	
1281		G2	CAPACITOR		C6404	1-107-826-11	CERAMIC CHIP 0.1UF 10.00% 16V	KLV-S26/S32A10	
1282		G2	CAPACITOR		C6405	1-115-339-11	CERAMIC CHIP 0.1UF 10.00% 50V	KLV-S26/S32A10	
1283		G2	CAPACITOR		C6412	1-162-964-11	CERAMIC CHIP 0.001UF 10.00% 50V	KLV-S26/S32A10	
1284		G2	CAPACITOR		C6502	1-164-645-11	CERAMIC 1000PF 10.00% 500V	KLV-S26/S32A10	
1285		G2	CAPACITOR		C6503	1-164-645-11	CERAMIC 1000PF 10.00% 500V	KLV-S26/S32A10	
1286		G2	CAPACITOR		C6504	1-164-645-11	CERAMIC 1000PF 10.00% 500V	KLV-S26/S32A10	
1287		G2	CAPACITOR		C6505	1-164-645-11	CERAMIC 1000PF 10.00% 500V	KLV-S26/S32A10	
1288		G2	CAPACITOR		C6517	1-117-227-11	MYLAR 1UF 10.00% 450V	KLV-S26/S32A10	
1289		G2	CAPACITOR		C6518	1-117-227-11	MYLAR 1UF 10.00% 450V	KLV-S26/S32A10	
1290		G2	CAPACITOR		C6519	1-162-970-11	CERAMIC CHIP 0.01UF 10.00% 25V	KLV-S26/S32A10	
1291		G2	CAPACITOR		C6520	1-117-227-11	MYLAR 1UF 10.00% 450V	KLV-S26/S32A10	
1292		G2	CAPACITOR		C6521	1-107-823-11	CERAMIC CHIP 0.47UF 10.00% 16V	KLV-S26/S32A10	
1293		G2	CAPACITOR		C6522	1-162-964-11	CERAMIC CHIP 0.001UF 10.00% 50V	KLV-S26/S32A10	
1294		G2	CAPACITOR		C6523	1-162-970-11	CERAMIC CHIP 0.01UF 10.00% 25V	KLV-S26/S32A10	
1295		G2	CAPACITOR		C6524	1-162-923-11	CERAMIC CHIP 47PF 5.00% 50V	KLV-S26/S32A10	
1296		G2	CAPACITOR		C6525	1-115-339-11	CERAMIC CHIP 0.1UF 10.00% 50V	KLV-S26/S32A10	
1297		G2	CAPACITOR		C6526	1-107-906-11	ELECT 10UF 20% 50V	KLV-S26/S32A10	
1298		G2	CAPACITOR		C6527	1-162-964-11	CERAMIC CHIP 0.001UF 10.00% 50V	KLV-S26/S32A10	
1299		G2	CAPACITOR		C6528	1-162-970-11	CERAMIC CHIP 0.01UF 10.00% 25V	KLV-S26/S32A10	
1300		G2	CONNECTOR	*	CN6001	1-793-660-11	PIN, CONNECTOR (PC BOARD) 3P	KLV-S26/S32A10	
1301		G2	CONNECTOR	*	CN6200	1-564-595-11	PLUG, CONNECTOR 14P	KLV-S26/S32A10	
1302		G2	CONNECTOR	*	CN6202	1-564-512-11	PLUG, CONNECTOR 9P	KLV-S26/S32A10	
1303		G2	CONNECTOR	*	CN6203	1-564-508-11	PLUG, CONNECTOR 5P	KLV-S26/S32A10	
1304		G2	DIODE		D6000	8-719-510-53	DIODE D4SB60L	KLV-S26/S32A10	
1305		G2	DIODE		D6001	8-719-948-45	DIODE ERA22-08	KLV-S26/S32A10	
1306		G2	DIODE		D6002	8-719-081-97	DIODE MMDL914T1	KLV-S26/S32A10	
1307		G2	DIODE		D6102	6-500-137-01	DIODE BAT54HT1	KLV-S26/S32A10	
1308		G2	DIODE		D6103	8-719-979-64	DIODE UF4005/23	KLV-S26/S32A10	
1309		G2	DIODE		D6104	6-501-043-01	DIODE UMZ16NT106	KLV-S26/S32A10	
1310		G2	DIODE		D6105	6-501-043-01	DIODE UMZ16NT106	KLV-S26/S32A10	
1311		G2	DIODE		D6106	8-719-081-67	DIODE M1FM3	KLV-S26/S32A10	
1312		G2	DIODE		D6107	8-719-081-67	DIODE M1FM3	KLV-S26/S32A10	
1313		G2	DIODE		D6108	8-719-041-97	DIODE MA113-(TX)	KLV-S26/S32A10	
1314		G2	DIODE		D6200	8-719-510-09	DIODE D10SC6M	KLV-S26/S32A10	
1315		G2	DIODE		D6201	8-719-510-09	DIODE D10SC6M	KLV-S26/S32A10	
1316		G2	DIODE		D6202	8-719-510-09	DIODE D10SC6M	KLV-S26/S32A10	
1317		G2	DIODE		D6203	8-719-510-09	DIODE D10SC6M	KLV-S26/S32A10	
1318		G2	DIODE		D6204	6-500-567-31	DIODE 10ERB20-TB3	KLV-S26/S32A10	
1319		G2	DIODE		D6205	6-500-567-31	DIODE 10ERB20-TB3	KLV-S26/S32A10	
1320		G2	DIODE		D6300	8-719-077-76	DIODE D2SB60A-F04	KLV-S26/S32A10	
1321		G2	DIODE		D6301	8-719-036-94	DIODE RD5.6SB-T1	KLV-S26/S32A10	
1322		G2	DIODE		D6302	6-500-849-01	DIODE ERA22-08KFLB	KLV-S26/S32A10	
1323		G2	DIODE		D6303	8-719-052-90	DIODE D1NL40-TA2	KLV-S26/S32A10	
1324		G2	DIODE		D6304	8-719-052-90	DIODE D1NL40-TA2	KLV-S26/S32A10	
1325		G2	DIODE		D6305	8-719-032-12	DIODE D1NS6	KLV-S26/S32A10	
1326		G2	DIODE		D6307	6-500-567-31	DIODE 10ERB20-TB3	KLV-S26/S32A10	
1327		G2	DIODE		D6400	8-719-081-97	DIODE MMDL914T1	KLV-S26/S32A10	
1328		G2	DIODE		D6402	8-719-081-97	DIODE MMDL914T1	KLV-S26/S32A10	
1329		G2	DIODE		D6407	8-719-082-04	DIODE MM3Z22VT1	KLV-S26/S32A10	
1330		G2	DIODE		D6408	8-719-081-97	DIODE MMDL914T1	KLV-S26/S32A10	
1331		G2	DIODE		D6501	6-501-043-01	DIODE UMZ16NT106	KLV-S26/S32A10	
1332		G2	DIODE		D6502	8-719-081-97	DIODE MMDL914T1	KLV-S26/S32A10	

No.	#	Board	Type	Δ / [*]	Ref. No.	Part No.	Description	Remarks-1	Remarks-2
1333		G2	DIODE		D6505	8-719-054-59	DIODE FSF05A60	KLV-S26/S32A10	
1334		G2	DIODE		D6506	8-719-054-59	DIODE FSF05A60	KLV-S26/S32A10	
1335		G2	DIODE		D6509	6-500-108-01	DIODE EP05FA20	KLV-S26/S32A10	
1336		G2	DIODE		D6510	6-500-137-01	DIODE BAT54HT1	KLV-S26/S32A10	
1337		G2	DIODE		D6511	8-719-081-97	DIODE MMDL914T1	KLV-S26/S32A10	
1338		G2	DIODE		D6512	8-719-081-97	DIODE MMDL914T1	KLV-S26/S32A10	
1339		G2	DIODE		D6513	8-719-081-97	DIODE MMDL914T1	KLV-S26/S32A10	
1340		G2	FUSE	Δ	F6000	1-576-867-11	FUSE 4A 250V	KLV-S26/S32A10	
1341		G2	FERRITE BEAD		FB6100	1-410-397-21	FERRITE 1.1UH	KLV-S26/S32A10	
1342		G2	FERRITE BEAD		FB6101	1-410-397-21	FERRITE 1.1UH	KLV-S26/S32A10	
1343		G2	FUSE HOLDER		FH6000	1-533-223-11	FUSE HOLDER 0A 0V	KLV-S26/S32A10	
1344		G2	FUSE HOLDER		FH6001	1-533-223-11	FUSE HOLDER 0A 0V	KLV-S26/S32A10	
1345		G2	IC		IC6100	6-706-852-01	IC CXD9841M	KLV-S26/S32A10	
1346		G2	IC		IC6200	8-759-682-42	IC MM1431ATT	KLV-S26/S32A10	
1347		G2	IC		IC6300	6-600-279-01	IC STR-A6169	KLV-S26/S32A10	
1348		G2	IC		IC6301	8-759-682-42	IC MM1431ATT	KLV-S26/S32A10	
1349		G2	IC		IC6402	8-759-682-42	IC MM1431ATT	KLV-S26/S32A10	
1350		G2	IC		IC6502	6-704-815-01	IC FA5501N-TE1	KLV-S26/S32A10	
1351		G2	IC		IC6503	8-759-682-42	IC MM1431ATT	KLV-S26/S32A10	
1352		G2	COIL		L6000	1-456-678-11	LINE FILTER COIL	KLV-S26/S32A10	
1353		G2	COIL		L6001	1-456-678-11	LINE FILTER COIL	KLV-S26/S32A10	
1354		G2	COIL		L6201	1-406-971-21	INDUCTOR 10UH	KLV-S26/S32A10	
1355		G2	COIL		L6202	1-406-971-21	INDUCTOR 10UH	KLV-S26/S32A10	
1356		G2	COIL		L6300	1-414-934-21	INDUCTOR 10UH	KLV-S26/S32A10	
1357		G2	COIL		L6500	1-457-039-12	INDUCTOR 110UH	KLV-S26/S32A10	
1358		G2	COIL		L6502	1-456-982-11	INDUCTOR 295UH	KLV-S26/S32A10	
1359		G2	PHOTO COUPLER		PH6000	6-600-187-01	PHOTO COUPLER PC123Y22JOOF	KLV-S26/S32A10	
1360		G2	PHOTO COUPLER		PH6100	6-600-187-01	PHOTO COUPLER PC123Y22JOOF	KLV-S26/S32A10	
1361		G2	PHOTO COUPLER		PH6300	6-600-187-01	PHOTO COUPLER PC123Y22JOOF	KLV-S26/S32A10	
1362		G2	PHOTO COUPLER		PH6400	6-600-187-01	PHOTO COUPLER PC123Y22JOOF	KLV-S26/S32A10	
1363		G2	PHOTO COUPLER		PH6402	6-600-187-01	PHOTO COUPLER PC123Y22JOOF	KLV-S26/S32A10	
1364		G2	PHOTO COUPLER		PH6501	6-600-187-01	PHOTO COUPLER PC123Y22JOOF	KLV-S26/S32A10	
1365		G2	TRANSISTOR		Q6100	6-551-297-01	TRANSISTOR 2SK3568(LBS1SONY.Q	KLV-S26/S32A10	
1366		G2	TRANSISTOR		Q6101	6-551-297-01	TRANSISTOR 2SK3568(LBS1SONY.Q	KLV-S26/S32A10	
1367		G2	TRANSISTOR		Q6400	8-729-804-41	TRANSISTOR 2SB1122-S	KLV-S26/S32A10	
1368		G2	TRANSISTOR		Q6401	8-729-120-28	TRANSISTOR 2SC1623-L5L6	KLV-S26/S32A10	
1369		G2	TRANSISTOR		Q6402	8-729-023-22	TRANSISTOR 2SD2114K	KLV-S26/S32A10	
1370		G2	TRANSISTOR		Q6403	8-729-026-49	TRANSISTOR 2SA1037AK-T146-R	KLV-S26/S32A10	
1371		G2	TRANSISTOR		Q6404	8-729-120-28	TRANSISTOR 2SC1623-L5L6	KLV-S26/S32A10	
1372		G2	TRANSISTOR		Q6500	6-551-336-01	TRANSISTOR 2SK3934(LBS1SONY.Q	KLV-S26/S32A10	
1373		G2	TRANSISTOR		Q6501	8-729-820-90	TRANSISTOR 2SD1621-ST	KLV-S26/S32A10	
1374		G2	TRANSISTOR		Q6502	8-729-804-41	TRANSISTOR 2SB1122-S	KLV-S26/S32A10	
1375		G2	TRANSISTOR		Q6503	8-729-026-49	TRANSISTOR 2SA1037AK-T146-R	KLV-S26/S32A10	
1376		G2	TRANSISTOR		Q6504	8-729-120-28	TRANSISTOR 2SC1623-L5L6	KLV-S26/S32A10	
1377		G2	RESISTOR		R6001	1-240-938-91	METAL 1.5M 5% 0.5W	KLV-S26/S32A10	
1378		G2	RESISTOR		R6002	1-240-251-11	CEMENTED 6.8 5% 10W	KLV-S26/S32A10	
1379		G2	RESISTOR		R6003	1-247-752-11	CARBON 1K 5% 1/2W	KLV-S26/S32A10	
1380		G2	RESISTOR		R6004	1-216-829-11	METAL CHIP 4.7K 5% 1/10W	KLV-S26/S32A10	
1381		G2	RESISTOR		R6014	1-215-859-00	METAL OXIDE 22 5% 1W	KLV-S26/S32A10	
1382		G2	RESISTOR		R6016	1-243-681-71	METAL OXIDE 33 5% 1W	KLV-S26/S32A10	
1383		G2	RESISTOR		R6101	1-249-385-11	CARBON 2.2 5% 1/4W	KLV-S26/S32A10	
1384		G2	RESISTOR		R6102	1-202-933-61	FUSIBLE 0.1 10% 1/2W	KLV-S26/S32A10	
1385		G2	RESISTOR		R6103	1-218-823-11	METAL CHIP 100 0.5% 1/10W	KLV-S26/S32A10	
1386		G2	RESISTOR		R6104	1-218-871-11	METAL CHIP 10K 0.5% 1/10W	KLV-S26/S32A10	
1387		G2	RESISTOR		R6105	1-218-760-11	METAL CHIP 220K 0.5% 1/10W	KLV-S26/S32A10	
1388		G2	RESISTOR		R6106	1-218-760-11	METAL CHIP 220K 0.5% 1/10W	KLV-S26/S32A10	
1389		G2	RESISTOR		R6107	1-218-760-11	METAL CHIP 220K 0.5% 1/10W	KLV-S26/S32A10	
1390		G2	RESISTOR		R6108	1-208-836-11	METAL CHIP 180K 0.5% 1/10W	KLV-S26/S32A10	
1391		G2	RESISTOR		R6109	1-208-834-11	METAL CHIP 150K 0.5% 1/10W	KLV-S26/S32A10	
1392		G2	RESISTOR		R6110	1-218-863-11	METAL CHIP 4.7K 0.5% 1/10W	KLV-S26/S32A10	
1393		G2	RESISTOR		R6111	1-218-873-11	METAL CHIP 12K 0.5% 1/10W	KLV-S26/S32A10	
1394		G2	RESISTOR		R6114	1-211-969-11	METAL CHIP 10 0.5% 1/10W	KLV-S26/S32A10	
1395		G2	RESISTOR		R6116	1-216-009-91	RES-CHIP 22 5% 1/10W	KLV-S26/S32A10	
1396		G2	RESISTOR		R6117	1-216-009-91	RES-CHIP 22 5% 1/10W	KLV-S26/S32A10	
1397		G2	RESISTOR		R6118	1-216-833-11	METAL CHIP 10K 5% 1/10W	KLV-S26/S32A10	
1398		G2	RESISTOR		R6119	1-216-833-11	METAL CHIP 10K 5% 1/10W	KLV-S26/S32A10	
1399		G2	RESISTOR		R6122	1-245-315-71	METAL OXIDE 0.1 5% 2W	KLV-S26/S32A10	
1400		G2	RESISTOR		R6123	1-218-847-11	METAL CHIP 1K 0.5% 1/10W	KLV-S26/S32A10	
1401		G2	RESISTOR		R6127	1-216-857-11	METAL CHIP 1M 5% 1/10W	KLV-S26/S32A10	
1402		G2	RESISTOR		R6200	1-216-821-11	METAL CHIP 1K 5% 1/10W	KLV-S26/S32A10	
1403		G2	RESISTOR		R6201	1-216-821-11	METAL CHIP 1K 5% 1/10W	KLV-S26/S32A10	
1404		G2	RESISTOR		R6203	1-216-829-11	METAL CHIP 4.7K 5% 1/10W	KLV-S26/S32A10	
1405		G2	RESISTOR		R6204	1-218-843-11	METAL CHIP 680 0.5% 1/10W	KLV-S26/S32A10	
1406		G2	RESISTOR		R6205	1-218-865-11	METAL CHIP 5.6K 0.5% 1/10W	KLV-S26/S32A10	

No.	#	Board	Type	Δ / [*]	Ref. No.	Part No.	Description	Remarks-1	Remarks-2
1629		G3	DIODE		D6110	6-500-137-01	DIODE BAT54HT1	KLV-S40A10	
1630		G3	DIODE		D6111	8-719-041-97	DIODE MA113-(TX)	KLV-S40A10	
1631		G3	DIODE		D6112	8-719-041-97	DIODE MA113-(TX)	KLV-S40A10	
1632		G3	DIODE		D6113	6-501-043-01	DIODE UMZ16NT106	KLV-S40A10	
1633		G3	DIODE		D6114	6-501-043-01	DIODE UMZ16NT106	KLV-S40A10	
1634		G3	DIODE		D6115	6-501-043-01	DIODE UMZ16NT106	KLV-S40A10	
1635		G3	DIODE		D6117	8-719-304-63	DIODE RM11C	KLV-S40A10	
1636		G3	DIODE		D6118	6-500-407-01	DIODE SF20L60U-4015	KLV-S40A10	
1637		G3	DIODE		D6121	8-719-041-97	DIODE MA113-(TX)	KLV-S40A10	
1638		G3	DIODE		D6122	6-500-849-01	DIODE ERA22-08KFLB	KLV-S40A10	
1639		G3	DIODE		D6123	6-500-849-01	DIODE ERA22-08KFLB	KLV-S40A10	
1640		G3	DIODE		D6300	8-719-077-76	DIODE D2SB60A-F04	KLV-S40A10	
1641		G3	DIODE		D6301	8-719-948-45	DIODE ERA22-08	KLV-S40A10	
1642		G3	DIODE		D6302	8-719-069-55	DIODE UDZSTE-175.6B	KLV-S40A10	
1643		G3	DIODE		D6401	8-719-081-97	DIODE MMDL914T1	KLV-S40A10	
1644		G3	DIODE		D6420	8-719-081-97	DIODE MMDL914T1	KLV-S40A10	
1645		G3	DIODE		D6421	8-719-059-51	DIODE MA3J142E0LSO	KLV-S40A10	
1646		G3	DIODE		D6422	8-719-083-63	DIODE UDZSTE-1713B	KLV-S40A10	
1647		G3	DIODE		D6423	8-719-081-97	DIODE MMDL914T1	KLV-S40A10	
1648		G3	DIODE		D6474	8-719-082-04	DIODE MM3Z22VT1	KLV-S40A10	
1649		G3	DIODE		D6475	8-719-081-97	DIODE MMDL914T1	KLV-S40A10	
1650		G3	DIODE		D6500	8-719-082-03	DIODE MM3Z15VT1	KLV-S40A10	
1651		G3	DIODE		D6501	8-719-082-03	DIODE MM3Z15VT1	KLV-S40A10	
1652		G3	DIODE		D6502	8-719-082-03	DIODE MM3Z15VT1	KLV-S40A10	
1653		G3	DIODE		D6503	8-719-979-64	DIODE UF4005/23	KLV-S40A10	
1654		G3	DIODE		D6504	6-501-043-01	DIODE UMZ16NT106	KLV-S40A10	
1655		G3	DIODE		D6505	6-501-043-01	DIODE UMZ16NT106	KLV-S40A10	
1656		G3	DIODE		D6506	8-719-080-69	DIODE M1FS4-4063	KLV-S40A10	
1657		G3	DIODE		D6507	8-719-080-69	DIODE M1FS4-4063	KLV-S40A10	
1658		G3	DIODE		D6508	8-719-082-03	DIODE MM3Z15VT1	KLV-S40A10	
1659		G3	DIODE		D6509	8-719-080-69	DIODE M1FS4-4063	KLV-S40A10	
1660		G3	DIODE		D6600	8-719-510-41	DIODE D10SC9M	KLV-S40A10	
1661		G3	DIODE		D6601	8-719-510-41	DIODE D10SC9M	KLV-S40A10	
1662		G3	DIODE		D6602	8-719-510-41	DIODE D10SC9M	KLV-S40A10	
1663		G3	DIODE		D6603	8-719-510-41	DIODE D10SC9M	KLV-S40A10	
1664		G3	DIODE		D6604	8-719-079-29	DIODE PTZ-TE25-22B	KLV-S40A10	
1665		G3	DIODE		D6700	8-719-081-97	DIODE MMDL914T1	KLV-S40A10	
1666		G3	DIODE		D6701	8-719-082-03	DIODE MM3Z15VT1	KLV-S40A10	
1667		G3	DIODE		D6702	8-719-082-03	DIODE MM3Z15VT1	KLV-S40A10	
1668		G3	DIODE		D6703	8-719-081-97	DIODE MMDL914T1	KLV-S40A10	
1669		G3	DIODE		D6704	8-719-082-03	DIODE MM3Z15VT1	KLV-S40A10	
1670		G3	DIODE		D6705	8-719-979-64	DIODE UF4005/23	KLV-S40A10	
1671		G3	DIODE		D6706	6-501-043-01	DIODE UMZ16NT106	KLV-S40A10	
1672		G3	DIODE		D6707	6-501-043-01	DIODE UMZ16NT106	KLV-S40A10	
1673		G3	DIODE		D6709	6-500-567-31	DIODE 10ERB20-TB3	KLV-S40A10	
1674		G3	DIODE		D6710	8-719-080-69	DIODE M1FS4-4063	KLV-S40A10	
1675		G3	DIODE		D6711	8-719-080-69	DIODE M1FS4-4063	KLV-S40A10	
1676		G3	DIODE		D6712	8-719-082-03	DIODE MM3Z15VT1	KLV-S40A10	
1677		G3	DIODE		D6713	8-719-080-69	DIODE M1FS4-4063	KLV-S40A10	
1678		G3	DIODE		D6800	8-719-041-97	DIODE MA113-(TX)	KLV-S40A10	
1679		G3	DIODE		D6803	8-719-063-73	DIODE D1NL20U-TR	KLV-S40A10	
1680		G3	DIODE		D6804	6-500-747-01	DIODE SBQF04A06	KLV-S40A10	
1681		G3	DIODE		D6805	8-719-063-73	DIODE D1NL20U-TR	KLV-S40A10	
1682		G3	DIODE		D6806	8-719-510-41	DIODE D10SC9M	KLV-S40A10	
1683		G3	DIODE		D6807	8-719-510-41	DIODE D10SC9M	KLV-S40A10	
1684		G3	DIODE		D6903	6-500-567-31	DIODE 10ERB20-TB3	KLV-S40A10	
1685		G3	DIODE		D6904	8-719-032-12	DIODE D1NS6	KLV-S40A10	
1686		G3	DIODE		D6905	6-500-567-31	DIODE 10ERB20-TB3	KLV-S40A10	
1687		G3	DIODE		D6911	8-719-081-97	DIODE MMDL914T1	KLV-S40A10	
1688		G3	DIODE		D6912	8-719-948-45	DIODE ERA22-08	KLV-S40A10	
1689		G3	FUSE	Δ	F6001	1-576-233-51	FUSE 6.3A 250V	KLV-S40A10	
1690		G3	FERRITE BEAD		FB6500	1-410-397-21	FERRITE 1.1UH	KLV-S40A10	
1691		G3	FERRITE BEAD		FB6501	1-410-397-21	FERRITE 1.1UH	KLV-S40A10	
1692		G3	FUSE HOLDER		FH6001	1-533-223-11	FUSE HOLDER 0A 0V	KLV-S40A10	
1693		G3	FUSE HOLDER		FH6002	1-533-223-11	FUSE HOLDER 0A 0V	KLV-S40A10	
1694		G3	IC		IC6100	6-703-132-01	IC UC3854BN	KLV-S40A10	
1695		G3	IC		IC6101	8-759-682-42	IC MM1431ATT	KLV-S40A10	
1696		G3	IC		IC6300	6-600-279-01	IC STR-A6169	KLV-S40A10	
1697		G3	IC		IC6301	8-759-682-42	IC MM1431ATT	KLV-S40A10	
1698		G3	IC		IC6420	8-759-058-50	IC XRA10324AF	KLV-S40A10	
1699		G3	IC		IC6421	6-704-924-01	IC PQ12DZ5UJ00H	KLV-S40A10	
1700		G3	IC		IC6422	8-759-682-42	IC MM1431ATT	KLV-S40A10	
1701		G3	IC		IC6500	6-706-852-01	IC CXD9841M	KLV-S40A10	
1702		G3	IC		IC6600	8-759-682-42	IC MM1431ATT	KLV-S40A10	

No.	#	Board	Type	Δ/Δ^*	Ref. No.	Part No.	Description	Remarks-1	Remarks-2
1703		G3	IC		IC6700	6-706-852-01	IC CXD9841M	KLV-S40A10	
1704		G3	IC		IC6800	8-759-682-42	IC MM1431ATT	KLV-S40A10	
1705		G3	COIL		L6002	1-456-856-21	LINE FILTER COIL	KLV-S40A10	
1706		G3	COIL		L6003	1-456-856-21	LINE FILTER COIL	KLV-S40A10	
1707		G3	COIL		L6101	1-456-917-11	INDUCTOR 170UH	KLV-S40A10	
1708		G3	COIL		L6102	1-456-854-11	INDUCTOR 58UH	KLV-S40A10	
1709		G3	COIL		L6104	1-456-854-11	INDUCTOR 58UH	KLV-S40A10	
1710		G3	COIL		L6300	1-412-525-31	INDUCTOR 10UH	KLV-S40A10	
1711		G3	COIL		L6500	1-406-665-11	INDUCTOR 100UH	KLV-S40A10	
1712		G3	COIL		L6601	1-406-971-21	INDUCTOR 10UH	KLV-S40A10	
1713		G3	COIL		L6602	1-406-971-21	INDUCTOR 10UH	KLV-S40A10	
1714		G3	COIL		L6603	1-406-971-21	INDUCTOR 10UH	KLV-S40A10	
1715		G3	COIL		L6700	1-406-667-11	INDUCTOR 220UH	KLV-S40A10	
1716		G3	COIL		L6800	1-406-971-21	INDUCTOR 10UH	KLV-S40A10	
1717		G3	COIL		L6801	1-406-971-21	INDUCTOR 10UH	KLV-S40A10	
1718		G3	PHOTO COUPLER		PH6000	6-600-187-01	PHOTO COUPLER PC123Y22JOOF	KLV-S40A10	
1719		G3	PHOTO COUPLER		PH6300	6-600-187-01	PHOTO COUPLER PC123Y22JOOF	KLV-S40A10	
1720		G3	PHOTO COUPLER		PH6420	6-600-187-01	PHOTO COUPLER PC123Y22JOOF	KLV-S40A10	
1721		G3	PHOTO COUPLER		PH6421	6-600-187-01	PHOTO COUPLER PC123Y22JOOF	KLV-S40A10	
1722		G3	PHOTO COUPLER		PH6474	6-600-187-01	PHOTO COUPLER PC123Y22JOOF	KLV-S40A10	
1723		G3	PHOTO COUPLER		PH6500	6-600-187-01	PHOTO COUPLER PC123Y22JOOF	KLV-S40A10	
1724		G3	PHOTO COUPLER		PH6700	6-600-187-01	PHOTO COUPLER PC123Y22JOOF	KLV-S40A10	
1725		G3	TRANSISTOR		Q6101	8-729-907-00	TRANSISTOR DTC114EU	KLV-S40A10	
1726		G3	TRANSISTOR		Q6102	8-729-820-86	TRANSISTOR 2SB1121-ST	KLV-S40A10	
1727		G3	TRANSISTOR		Q6103	8-729-905-35	TRANSISTOR 2SC4081-R	KLV-S40A10	
1728		G3	TRANSISTOR		Q6104	8-729-807-17	TRANSISTOR 2SD1621-S	KLV-S40A10	
1729		G3	TRANSISTOR		Q6105	6-550-372-01	TRANSISTOR SPA20N60C3E8152	KLV-S40A10	
1730		G3	TRANSISTOR		Q6106	6-550-372-01	TRANSISTOR SPA20N60C3E8152	KLV-S40A10	
1731		G3	TRANSISTOR		Q6107	6-550-372-01	TRANSISTOR SPA20N60C3E8152	KLV-S40A10	
1732		G3	TRANSISTOR		Q6400	8-729-023-22	TRANSISTOR 2SD2114K	KLV-S40A10	
1733		G3	TRANSISTOR		Q6403	8-729-026-49	TRANSISTOR 2SA1037AK-T146-R	KLV-S40A10	
1734		G3	TRANSISTOR		Q6404	8-729-120-28	TRANSISTOR 2SC1623-L5L6	KLV-S40A10	
1735		G3	TRANSISTOR		Q6420	8-729-026-53	TRANSISTOR 2SA1576A-T106-QR	KLV-S40A10	
1736		G3	TRANSISTOR		Q6421	8-729-905-35	TRANSISTOR 2SC4081-R	KLV-S40A10	
1737		G3	TRANSISTOR		Q6422	8-729-905-35	TRANSISTOR 2SC4081-R	KLV-S40A10	
1738		G3	TRANSISTOR		Q6423	8-729-905-35	TRANSISTOR 2SC4081-R	KLV-S40A10	
1739		G3	TRANSISTOR		Q6424	8-729-905-35	TRANSISTOR 2SC4081-R	KLV-S40A10	
1740		G3	TRANSISTOR		Q6425	8-729-026-53	TRANSISTOR 2SA1576A-T106-QR	KLV-S40A10	
1741		G3	TRANSISTOR		Q6426	8-729-907-00	TRANSISTOR DTC114EU	KLV-S40A10	
1742		G3	TRANSISTOR		Q6427	8-729-905-35	TRANSISTOR 2SC4081-R	KLV-S40A10	
1743		G3	TRANSISTOR		Q6428	8-729-026-53	TRANSISTOR 2SA1576A-T106-QR	KLV-S40A10	
1744		G3	TRANSISTOR		Q6429	8-729-026-53	TRANSISTOR 2SA1576A-T106-QR	KLV-S40A10	
1745		G3	TRANSISTOR		Q6430	8-729-804-41	TRANSISTOR 2SB1122-S	KLV-S40A10	
1746		G3	TRANSISTOR		Q6431	8-729-907-00	TRANSISTOR DTC114EU	KLV-S40A10	
1747		G3	TRANSISTOR		Q6500	6-550-526-11	TRANSISTOR 2SK2842(LBS2SONY)	KLV-S40A10	
1748		G3	TRANSISTOR		Q6501	6-550-526-11	TRANSISTOR 2SK2842(LBS2SONY)	KLV-S40A10	
1749		G3	TRANSISTOR		Q6700	6-550-526-11	TRANSISTOR 2SK2842(LBS2SONY)	KLV-S40A10	
1750		G3	TRANSISTOR		Q6701	6-550-526-11	TRANSISTOR 2SK2842(LBS2SONY)	KLV-S40A10	
1751		G3	RESISTOR		R6001	1-247-289-00	METAL 8.2M 5% 1W	KLV-S40A10	
1752		G3	RESISTOR		R6002	1-219-759-11	METAL 1M 5% 1/2W	KLV-S40A10	
1753		G3	RESISTOR		R6003	1-216-789-11	METAL CHIP 2.2 5% 1/10W	KLV-S40A10	
1754		G3	RESISTOR		R6004	1-216-829-11	METAL CHIP 4.7K 5% 1/10W	KLV-S40A10	
1755		G3	RESISTOR		R6007	1-219-759-11	METAL 1M 5% 1/2W	KLV-S40A10	
1756		G3	RESISTOR		R6014	1-215-859-00	METAL OXIDE 22 5% 1W	KLV-S40A10	
1757		G3	RESISTOR		R6016	1-243-681-71	METAL OXIDE 33 5% 1W	KLV-S40A10	
1758		G3	RESISTOR		R6101	1-216-857-11	METAL CHIP 1M 5% 1/10W	KLV-S40A10	
1759		G3	RESISTOR		R6103	1-218-903-11	METAL CHIP 220K 0.5% 1/10W	KLV-S40A10	
1760		G3	RESISTOR		R6104	1-245-474-21	METAL 330K 1% 1/4W	KLV-S40A10	
1761		G3	RESISTOR		R6105	1-245-474-21	METAL 330K 1% 1/4W	KLV-S40A10	
1762		G3	RESISTOR		R6106	1-208-830-11	METAL CHIP 100K 0.5% 1/10W	KLV-S40A10	
1763		G3	RESISTOR		R6107	1-245-474-21	METAL 330K 1% 1/4W	KLV-S40A10	
1764		G3	RESISTOR		R6108	1-245-474-21	METAL 330K 1% 1/4W	KLV-S40A10	
1765		G3	RESISTOR		R6109	1-208-830-11	METAL CHIP 100K 0.5% 1/10W	KLV-S40A10	
1766		G3	RESISTOR		R6110	1-218-895-11	METAL CHIP 100K 0.5% 1/10W	KLV-S40A10	
1767		G3	RESISTOR		R6111	1-218-877-11	METAL CHIP 18K 0.5% 1/10W	KLV-S40A10	
1768		G3	RESISTOR		R6112	1-245-474-21	METAL 330K 1% 1/4W	KLV-S40A10	
1769		G3	RESISTOR		R6113	1-245-474-21	METAL 330K 1% 1/4W	KLV-S40A10	
1770		G3	RESISTOR		R6114	1-208-830-11	METAL CHIP 100K 0.5% 1/10W	KLV-S40A10	
1771		G3	RESISTOR		R6115	1-216-825-11	METAL CHIP 2.2K 5% 1/10W	KLV-S40A10	
1772		G3	RESISTOR		R6116	1-218-845-11	METAL CHIP 820 0.5% 1/10W	KLV-S40A10	
1773		G3	RESISTOR		R6117	1-216-835-11	METAL CHIP 15K 5% 1/10W	KLV-S40A10	
1774		G3	RESISTOR		R6118	1-216-830-11	METAL CHIP 5.6K 5% 1/10W	KLV-S40A10	
1775		G3	RESISTOR		R6119	1-216-857-11	METAL CHIP 1M 5% 1/10W	KLV-S40A10	
1776		G3	RESISTOR		R6120	1-216-837-11	METAL CHIP 22K 5% 1/10W	KLV-S40A10	

No.	#	Board	Type	Δ/\ast	Ref. No.	Part No.	Description	Remarks-1	Remarks-2
1851		G3	RESISTOR		R6431	1-208-830-11	METAL CHIP 100K 0.5% 1/10W	KLV-S40A10	
1852		G3	RESISTOR		R6432	1-208-830-11	METAL CHIP 100K 0.5% 1/10W	KLV-S40A10	
1853		G3	RESISTOR		R6433	1-216-835-11	METAL CHIP 15K 5% 1/10W	KLV-S40A10	
1854		G3	RESISTOR		R6434	1-208-830-11	METAL CHIP 100K 0.5% 1/10W	KLV-S40A10	
1855		G3	RESISTOR		R6435	1-216-837-11	METAL CHIP 22K 5% 1/10W	KLV-S40A10	
1856		G3	RESISTOR		R6436	1-216-847-11	METAL CHIP 150K 5% 1/10W	KLV-S40A10	
1857		G3	RESISTOR		R6437	1-216-833-11	METAL CHIP 10K 5% 1/10W	KLV-S40A10	
1858		G3	RESISTOR		R6438	1-208-830-11	METAL CHIP 100K 0.5% 1/10W	KLV-S40A10	
1859		G3	RESISTOR		R6439	1-216-821-11	METAL CHIP 1K 5% 1/10W	KLV-S40A10	
1860		G3	RESISTOR		R6440	1-216-821-11	METAL CHIP 1K 5% 1/10W	KLV-S40A10	
1861		G3	RESISTOR		R6441	1-216-841-11	METAL CHIP 47K 5% 1/10W	KLV-S40A10	
1862		G3	RESISTOR		R6442	1-208-830-11	METAL CHIP 100K 0.5% 1/10W	KLV-S40A10	
1863		G3	RESISTOR		R6443	1-216-821-11	METAL CHIP 1K 5% 1/10W	KLV-S40A10	
1864		G3	RESISTOR		R6444	1-216-833-11	METAL CHIP 10K 5% 1/10W	KLV-S40A10	
1865		G3	RESISTOR		R6445	1-208-830-11	METAL CHIP 100K 0.5% 1/10W	KLV-S40A10	
1866		G3	RESISTOR		R6446	1-216-829-11	METAL CHIP 4.7K 5% 1/10W	KLV-S40A10	
1867		G3	RESISTOR		R6447	1-216-829-11	METAL CHIP 4.7K 5% 1/10W	KLV-S40A10	
1868		G3	RESISTOR		R6448	1-216-821-11	METAL CHIP 1K 5% 1/10W	KLV-S40A10	
1869		G3	RESISTOR		R6449	1-216-841-11	METAL CHIP 47K 5% 1/10W	KLV-S40A10	
1870		G3	RESISTOR		R6450	1-216-849-11	METAL CHIP 220K 5% 1/10W	KLV-S40A10	
1871		G3	RESISTOR		R6451	1-216-797-11	METAL CHIP 10 5% 1/10W	KLV-S40A10	
1872		G3	RESISTOR		R6452	1-216-833-11	METAL CHIP 10K 5% 1/10W	KLV-S40A10	
1873		G3	RESISTOR		R6453	1-216-829-11	METAL CHIP 4.7K 5% 1/10W	KLV-S40A10	
1874		G3	RESISTOR		R6454	1-216-829-11	METAL CHIP 4.7K 5% 1/10W	KLV-S40A10	
1875		G3	RESISTOR		R6455	1-216-833-11	METAL CHIP 10K 5% 1/10W	KLV-S40A10	
1876		G3	RESISTOR		R6456	1-218-853-11	METAL CHIP 1.8K 0.5% 1/10W	KLV-S40A10	
1877		G3	RESISTOR		R6457	1-218-831-11	METAL CHIP 220 0.5% 1/10W	KLV-S40A10	
1878		G3	RESISTOR		R6458	1-218-863-11	METAL CHIP 4.7K 0.5% 1/10W	KLV-S40A10	
1879		G3	RESISTOR		R6459	1-216-833-11	METAL CHIP 10K 5% 1/10W	KLV-S40A10	
1880		G3	RESISTOR		R6460	1-216-841-11	METAL CHIP 47K 5% 1/10W	KLV-S40A10	
1881		G3	RESISTOR		R6461	1-216-833-11	METAL CHIP 10K 5% 1/10W	KLV-S40A10	
1882		G3	RESISTOR		R6462	1-216-833-11	METAL CHIP 10K 5% 1/10W	KLV-S40A10	
1883		G3	RESISTOR		R6463	1-216-841-11	METAL CHIP 47K 5% 1/10W	KLV-S40A10	
1884		G3	RESISTOR		R6464	1-216-833-11	METAL CHIP 10K 5% 1/10W	KLV-S40A10	
1885		G3	RESISTOR		R6465	1-249-393-11	CARBON 10 5% 1/4W	KLV-S40A10	
1886		G3	RESISTOR		R6466	1-216-837-11	METAL CHIP 22K 5% 1/10W	KLV-S40A10	
1887		G3	RESISTOR		R6467	1-216-833-11	METAL CHIP 10K 5% 1/10W	KLV-S40A10	
1888		G3	RESISTOR		R6468	1-216-817-11	METAL CHIP 470 5% 1/10W	KLV-S40A10	
1889		G3	RESISTOR		R6469	1-216-817-11	METAL CHIP 470 5% 1/10W	KLV-S40A10	
1890		G3	RESISTOR		R6470	1-216-864-11	SHORT CHIP 0	KLV-S40A10	
1891		G3	RESISTOR		R6474	1-216-864-11	SHORT CHIP 0	KLV-S40A10	
1892		G3	RESISTOR		R6475	1-216-829-11	METAL CHIP 4.7K 5% 1/10W	KLV-S40A10	
1893		G3	RESISTOR		R6476	1-216-821-11	METAL CHIP 1K 5% 1/10W	KLV-S40A10	
1894		G3	RESISTOR		R6477	1-216-837-11	METAL CHIP 22K 5% 1/10W	KLV-S40A10	
1895		G3	RESISTOR		R6480	1-216-833-11	METAL CHIP 10K 5% 1/10W	KLV-S40A10	
1896		G3	RESISTOR		R6481	1-216-821-11	METAL CHIP 1K 5% 1/10W	KLV-S40A10	
1897		G3	RESISTOR		R6500	1-249-393-11	CARBON 10 5% 1/4W	KLV-S40A10	
1898		G3	RESISTOR		R6501	1-202-933-61	FUSIBLE 0.1 10% 1/2W	KLV-S40A10	
1899		G3	RESISTOR		R6502	1-218-823-11	METAL CHIP 100 0.5% 1/10W	KLV-S40A10	
1900		G3	RESISTOR		R6503	1-218-863-11	METAL CHIP 4.7K 0.5% 1/10W	KLV-S40A10	
1901		G3	RESISTOR		R6504	1-218-760-11	METAL CHIP 220K 0.5% 1/10W	KLV-S40A10	
1902		G3	RESISTOR		R6505	1-218-760-11	METAL CHIP 220K 0.5% 1/10W	KLV-S40A10	
1903		G3	RESISTOR		R6506	1-218-760-11	METAL CHIP 220K 0.5% 1/10W	KLV-S40A10	
1904		G3	RESISTOR		R6507	1-218-760-11	METAL CHIP 220K 0.5% 1/10W	KLV-S40A10	
1905		G3	RESISTOR		R6508	1-208-830-11	METAL CHIP 100K 0.5% 1/10W	KLV-S40A10	
1906		G3	RESISTOR		R6509	1-218-854-11	METAL CHIP 2K 0.5% 1/10W	KLV-S40A10	
1907		G3	RESISTOR		R6510	1-218-877-11	METAL CHIP 18K 0.5% 1/10W	KLV-S40A10	
1908		G3	RESISTOR		R6513	1-211-990-11	METAL CHIP 75 0.5% 1/10W	KLV-S40A10	
1909		G3	RESISTOR		R6514	1-212-865-00	FUSIBLE 22 5% 1/4W	KLV-S40A10	
1910		G3	RESISTOR		R6515	1-212-865-00	FUSIBLE 22 5% 1/4W	KLV-S40A10	
1911		G3	RESISTOR		R6516	1-218-871-11	METAL CHIP 10K 0.5% 1/10W	KLV-S40A10	
1912		G3	RESISTOR		R6517	1-218-871-11	METAL CHIP 10K 0.5% 1/10W	KLV-S40A10	
1913		G3	RESISTOR		R6518	1-219-759-11	METAL 1M 5% 1/2W	KLV-S40A10	
1914		G3	RESISTOR		R6519	1-219-759-11	METAL 1M 5% 1/2W	KLV-S40A10	
1915		G3	RESISTOR		R6520	1-216-821-11	METAL CHIP 1K 5% 1/10W	KLV-S40A10	
1916		G3	RESISTOR		R6521	1-216-361-00	METAL OXIDE 0.22 5% 2W	KLV-S40A10	
1917		G3	RESISTOR		R6522	1-216-864-11	SHORT CHIP 0	KLV-S40A10	
1918		G3	RESISTOR		R6523	1-216-857-11	METAL CHIP 1M 5% 1/10W	KLV-S40A10	
1919		G3	RESISTOR		R6524	1-216-361-00	METAL OXIDE 0.22 5% 2W	KLV-S40A10	
1920		G3	RESISTOR		R6600	1-218-853-11	METAL CHIP 1.8K 0.5% 1/10W	KLV-S40A10	
1921		G3	RESISTOR		R6601	1-216-821-11	METAL CHIP 1K 5% 1/10W	KLV-S40A10	
1922		G3	RESISTOR		R6602	1-216-864-11	SHORT CHIP 0	KLV-S40A10	
1923		G3	RESISTOR		R6603	1-216-833-11	METAL CHIP 10K 5% 1/10W	KLV-S40A10	
1924		G3	RESISTOR		R6604	1-216-813-11	METAL CHIP 220 5% 1/10W	KLV-S40A10	

No.	#	Board	Type	Δ/\ast	Ref. No.	Part No.	Description	Remarks-1	Remarks-2
1925		G3	RESISTOR		R6605	1-218-865-11	METAL CHIP 5.6K 0.5% 1/10W	KLV-S40A10	
1926		G3	RESISTOR		R6607	1-218-847-11	METAL CHIP 1K 0.5% 1/10W	KLV-S40A10	
1927		G3	RESISTOR		R6610	1-216-857-11	METAL CHIP 1M 5% 1/10W	KLV-S40A10	
1928		G3	RESISTOR		R6611	1-216-857-11	METAL CHIP 1M 5% 1/10W	KLV-S40A10	
1929		G3	RESISTOR		R6700	1-249-393-11	CARBON 10 5% 1/4W	KLV-S40A10	
1930		G3	RESISTOR		R6701	1-202-933-61	FUSIBLE 0.1 10% 1/2W	KLV-S40A10	
1931		G3	RESISTOR		R6702	1-218-868-11	METAL CHIP 7.5K 0.5% 1/10W	KLV-S40A10	
1932		G3	RESISTOR		R6703	1-208-840-11	METAL CHIP 270K 0.5% 1/10W	KLV-S40A10	
1933		G3	RESISTOR		R6704	1-208-840-11	METAL CHIP 270K 0.5% 1/10W	KLV-S40A10	
1934		G3	RESISTOR		R6705	1-218-877-11	METAL CHIP 18K 0.5% 1/10W	KLV-S40A10	
1935		G3	RESISTOR		R6706	1-216-821-11	METAL CHIP 1K 5% 1/10W	KLV-S40A10	
1936		G3	RESISTOR		R6707	1-218-823-11	METAL CHIP 100 0.5% 1/10W	KLV-S40A10	
1937		G3	RESISTOR		R6709	1-212-865-00	FUSIBLE 22 5% 1/4W	KLV-S40A10	
1938		G3	RESISTOR		R6710	1-249-393-11	CARBON 10 5% 1/4W	KLV-S40A10	
1939		G3	RESISTOR		R6711	1-212-865-00	FUSIBLE 22 5% 1/4W	KLV-S40A10	
1940		G3	RESISTOR		R6712	1-218-827-11	METAL CHIP 150 0.5% 1/10W	KLV-S40A10	
1941		G3	RESISTOR		R6713	1-216-833-11	METAL CHIP 10K 5% 1/10W	KLV-S40A10	
1942		G3	RESISTOR		R6714	1-216-833-11	METAL CHIP 10K 5% 1/10W	KLV-S40A10	
1943		G3	RESISTOR		R6716	1-249-393-11	CARBON 10 5% 1/4W	KLV-S40A10	
1944		G3	RESISTOR		R6717	1-216-361-00	METAL OXIDE 0.22 5% 2W	KLV-S40A10	
1945		G3	RESISTOR		R6718	1-216-857-11	METAL CHIP 1M 5% 1/10W	KLV-S40A10	
1946		G3	RESISTOR		R6720	1-208-830-11	METAL CHIP 100K 0.5% 1/10W	KLV-S40A10	
1947		G3	RESISTOR		R6721	1-208-830-11	METAL CHIP 100K 0.5% 1/10W	KLV-S40A10	
1948		G3	RESISTOR		R6722	1-208-830-11	METAL CHIP 100K 0.5% 1/10W	KLV-S40A10	
1949		G3	RESISTOR		R6723	1-208-830-11	METAL CHIP 100K 0.5% 1/10W	KLV-S40A10	
1950		G3	RESISTOR		R6800	1-216-295-91	SHORT CHIP 0	KLV-S40A10	
1951		G3	RESISTOR		R6802	1-216-821-11	METAL CHIP 1K 5% 1/10W	KLV-S40A10	
1952		G3	RESISTOR		R6803	1-249-377-11	CARBON 0.47 5% 1/4W	KLV-S40A10	
1953		G3	RESISTOR		R6804	1-216-864-11	SHORT CHIP 0	KLV-S40A10	
1954		G3	RESISTOR		R6806	1-216-821-11	METAL CHIP 1K 5% 1/10W	KLV-S40A10	
1955		G3	RESISTOR		R6807	1-216-864-11	SHORT CHIP 0	KLV-S40A10	
1956		G3	RESISTOR		R6808	1-216-864-11	SHORT CHIP 0	KLV-S40A10	
1957		G3	RESISTOR		R6809	1-216-864-11	SHORT CHIP 0	KLV-S40A10	
1958		G3	RESISTOR		R6810	1-216-864-11	SHORT CHIP 0	KLV-S40A10	
1959		G3	RESISTOR		R6811	1-249-393-11	CARBON 10 5% 1/4W	KLV-S40A10	
1960		G3	RESISTOR		R6812	1-216-793-11	METAL CHIP 4.7 5% 1/10W	KLV-S40A10	
1961		G3	RESISTOR		R6813	1-216-821-11	METAL CHIP 1K 5% 1/10W	KLV-S40A10	
1962		G3	RESISTOR		R6817	1-218-847-11	METAL CHIP 1K 0.5% 1/10W	KLV-S40A10	
1963		G3	RESISTOR		R6818	1-218-875-11	METAL CHIP 15K 0.5% 1/10W	KLV-S40A10	
1964		G3	RESISTOR		R6819	1-218-863-11	METAL CHIP 4.7K 0.5% 1/10W	KLV-S40A10	
1965		G3	RESISTOR		R6820	1-216-841-11	METAL CHIP 47K 5% 1/10W	KLV-S40A10	
1966		G3	RESISTOR		R6821	1-216-857-11	METAL CHIP 1M 5% 1/10W	KLV-S40A10	
1967		G3	RESISTOR		R6822	1-216-857-11	METAL CHIP 1M 5% 1/10W	KLV-S40A10	
1968		G3	RESISTOR		R6823	1-216-857-11	METAL CHIP 1M 5% 1/10W	KLV-S40A10	
1969		G3	RESISTOR		R6838	1-247-752-11	CARBON 1K 5% 1/2W	KLV-S40A10	
1970		G3	RESISTOR		R6839	1-240-251-11	CEMENTED 6.8 5% 10W	KLV-S40A10	
1971		G3	RESISTOR		R6840	1-216-833-11	METAL CHIP 10K 5% 1/10W	KLV-S40A10	
1972		G3	VARIABLE RESISTOR		RV6100	1-227-703-91	RES, CERMET VAR 1K	KLV-S40A10	
1973		G3	RELAY		RY6002	1-755-418-12	RELAY (AC POWER)	KLV-S40A10	
1974		G3	RELAY		RY6004	1-755-418-12	RELAY (AC POWER)	KLV-S40A10	
1975		G3	TRANSFORMER		T6100	1-443-463-11	CONVERTER TRANSFORMER (PIT)	KLV-S40A10	
1976		G3	TRANSFORMER		T6101	1-443-463-11	CONVERTER TRANSFORMER (PIT)	KLV-S40A10	
1977		G3	TRANSFORMER		T6300	1-443-313-21	TRANSFORMER, CONVERTER (SBT)	KLV-S40A10	
1978		G3	TRANSFORMER		T6700	1-443-819-11	CONVERTER TRANSFORMER (PIT)	KLV-S40A10	
1979		G3	TRANSFORMER		TH6300	1-803-586-11	THERMISTOR, NTC	KLV-S40A10	
1980		G3	TRANSFORMER		TH6420	1-809-789-71	THERMISTOR, POSITIVE	KLV-S40A10	
1981		G3	VARISTOR		VD6001	1-805-479-21	VARISTOR	KLV-S40A10	
1982		G3	VARISTOR		VD6002	1-805-479-21	VARISTOR	KLV-S40A10	

