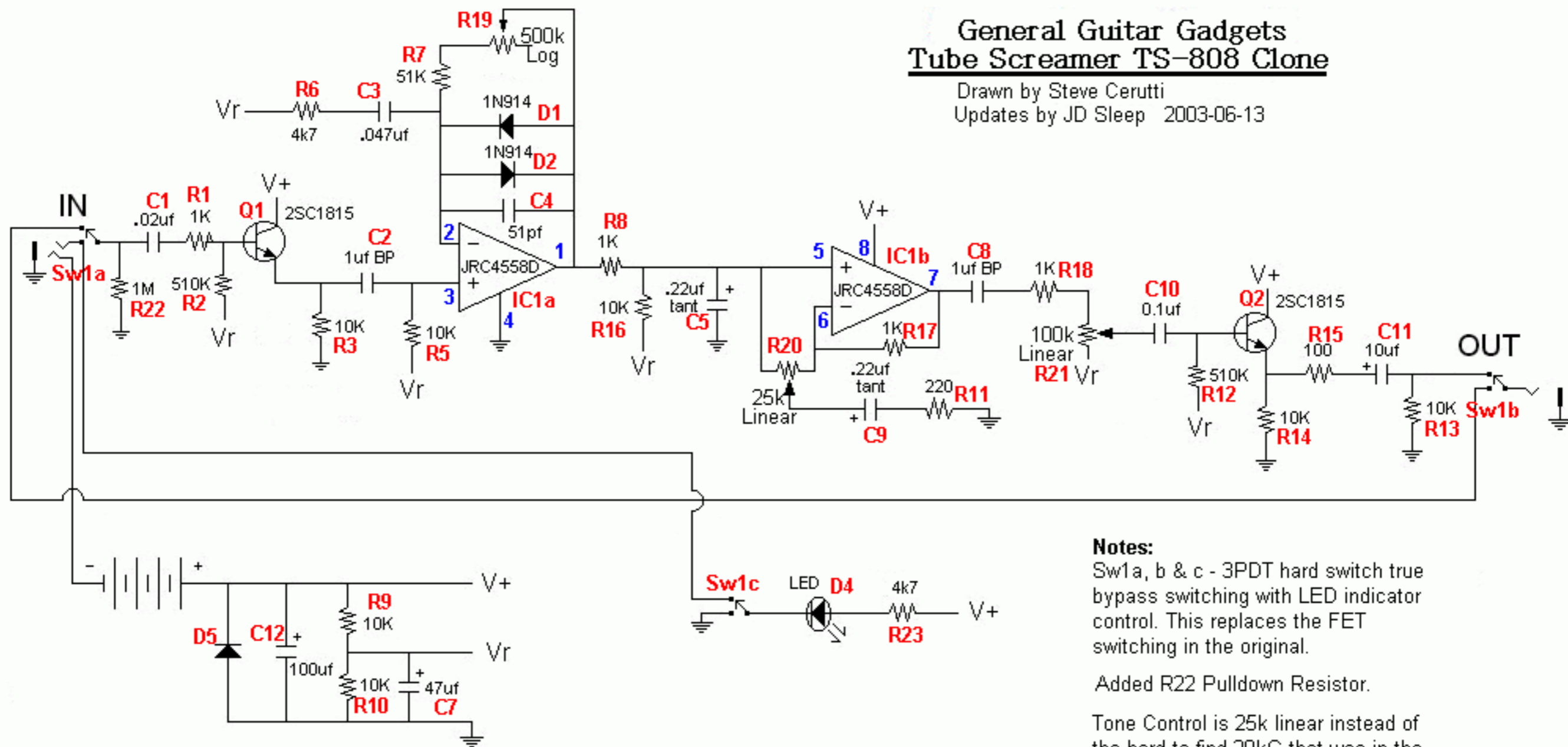


# General Guitar Gadgets Tube Screamer TS-808 Clone

Drawn by Steve Cerutti  
Updates by JD Sleep 2003-06-13



### Notes:

Sw1 a, b & c - 3PDT hard switch true bypass switching with LED indicator control. This replaces the FET switching in the original.

Added R22 Pulldown Resistor.

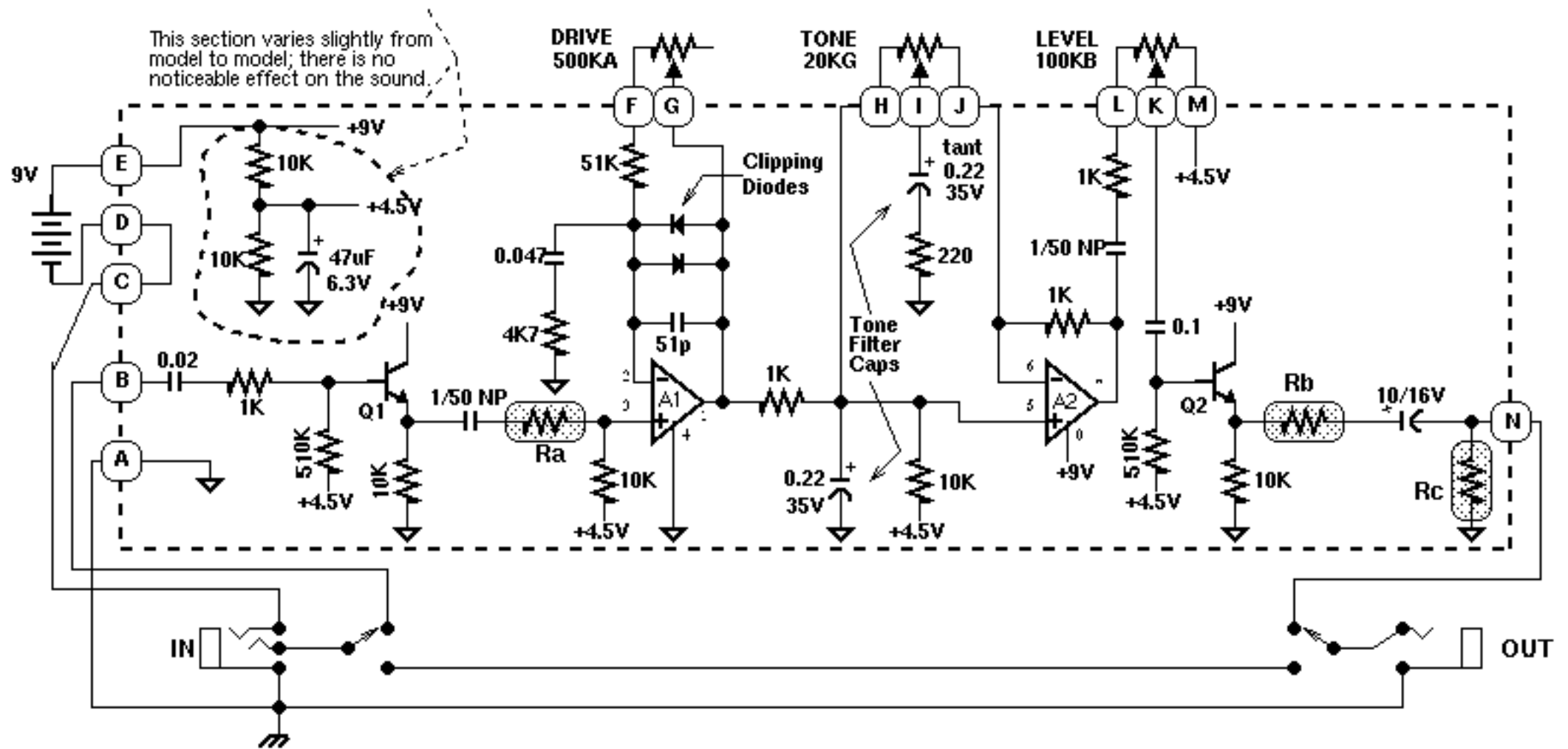
Tone Control is 25k linear instead of the hard-to-find 20kG that was in the original.

Transistors can also be 2N3904 with no change to overall tone.

Guitar Effects Projects @ [www.generalguitargadgets.com](http://www.generalguitargadgets.com)

Permission refused for posting/serving this diagram from any site other than *General Guitar Gadgets*

## TS -9, -10, -808 Signal Path with External Switching



Component differences from model to model

	Ra	Rb	Rc	Op Amp
TS808	0	100	10K	RC4558
TS9	0	470	100K	RC4558
TS10	220	470	100K	NJM4558

TS-5 is the same schematic as TS-9.

Fertile areas for mods

- Clipping diodes - change ONE diode to a different type for asymmetrical clipping. Perhaps one diode gets changed to two or three germanium diodes (1N34A, Radio Shack) for asymmetrical clipping, or both changed to different colored LED's.
- tone filter caps - change to film from tantalum and dink with values; up to as much as 0.47uF for more bass and mids, down to 0.1 for more treble.
- Other dual opamps: some units have TA75558 opamps installed; put in a socket and swap amps for lowest noise and best distortion. Good possibilities are LM358, TL072, LM833, LT1124, OP227.