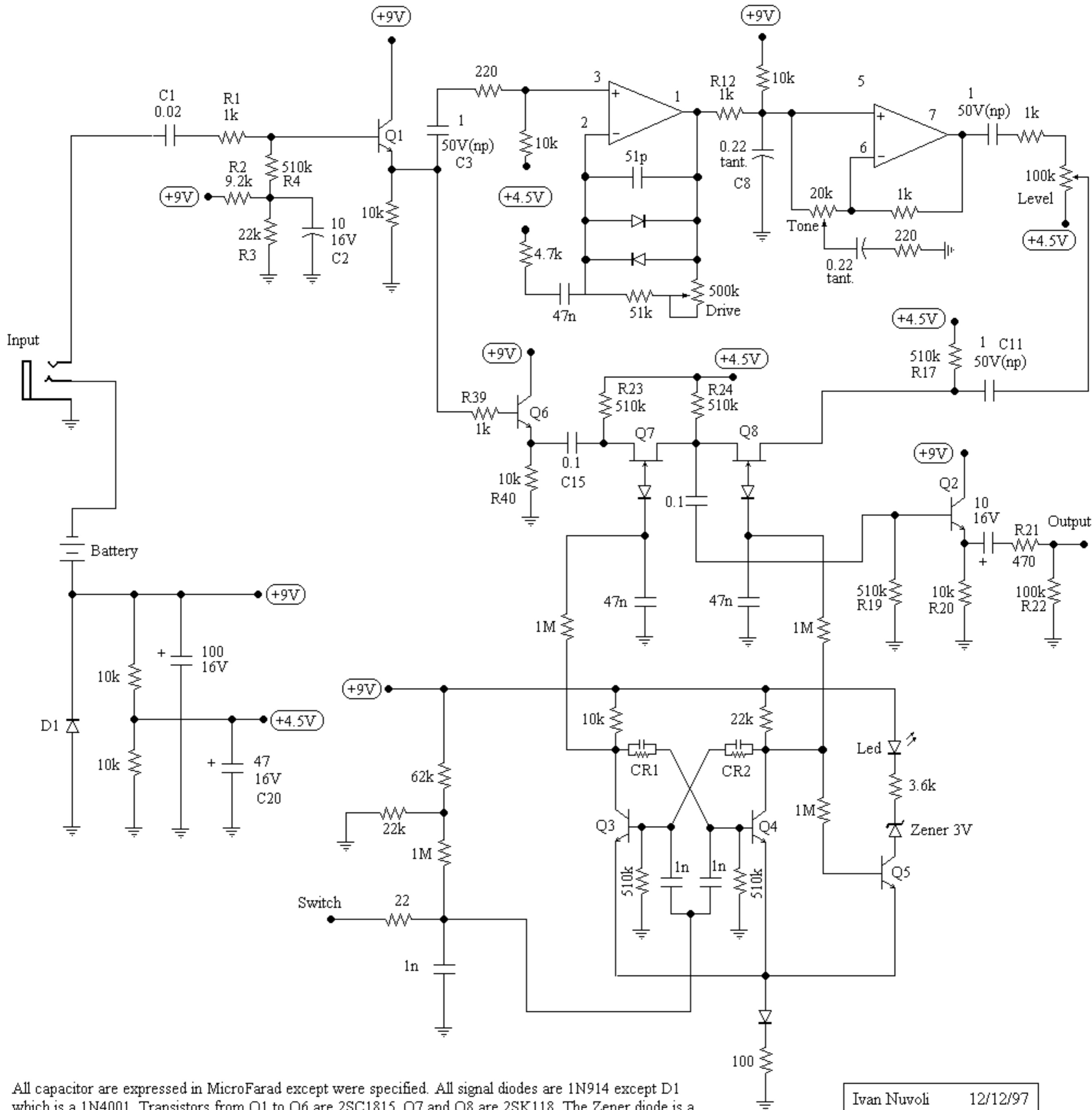


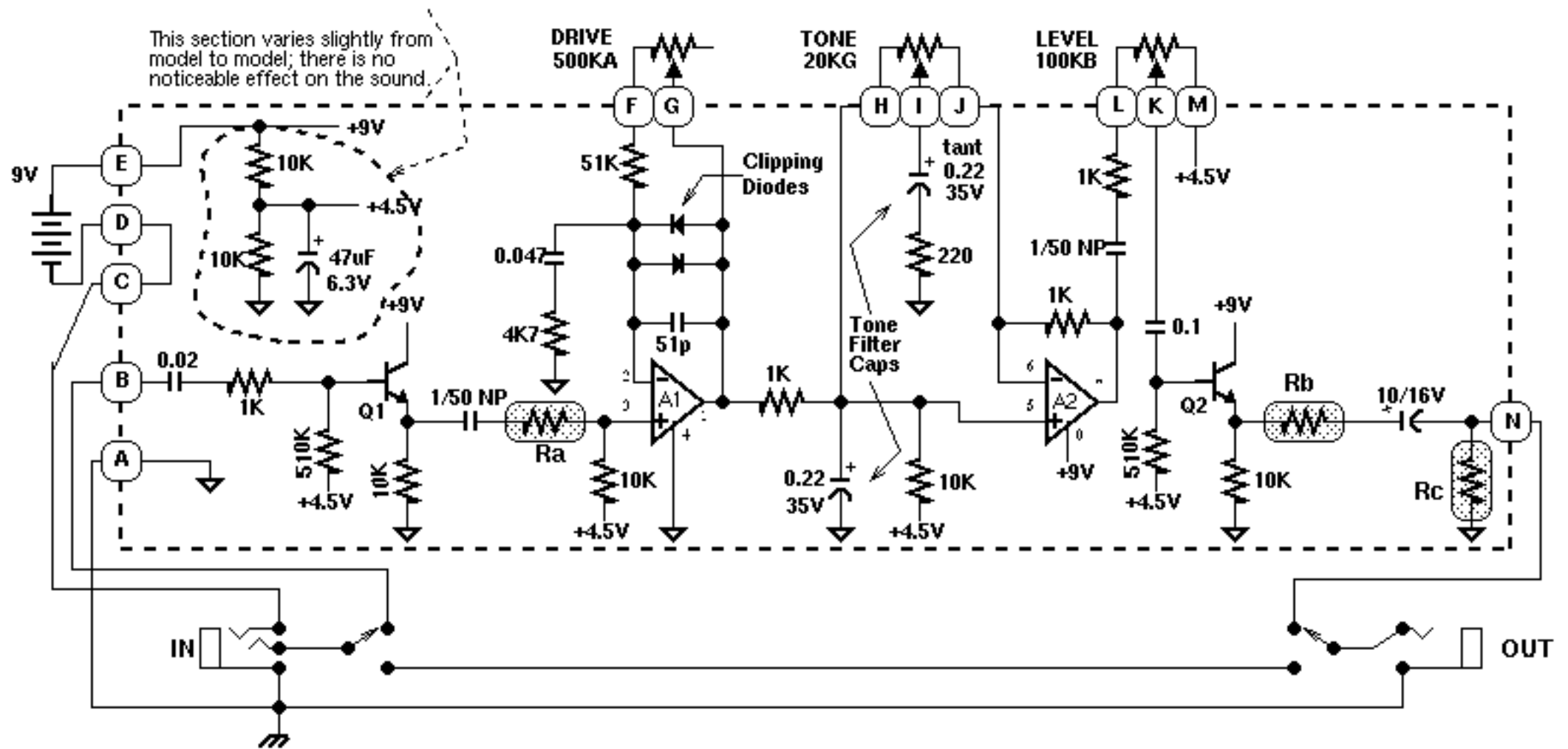
Ibanez Tube Screamer TS-10



All capacitor are expressed in MicroFarad except were specified. All signal diodes are 1N914 except D1 which is a 1N4001. Transistors from Q1 to Q6 are 2SC1815, Q7 and Q8 are 2SK118. The Zener diode is a ZW3. The dual op-amp. IC is a NJZ4558, but I've changed it with a better RC4558 (I even tried a TL082). CR1 e CR2 are custom component that merely consist of a 56k resistor and 51p capacitor in parallel. All capacitor with a plus (+) sign are eletrolic, those with the tant. label are Tantalium capacitor, those with np label are not polarized capacitor, all the others are ceramic. That's all!

Ivan Nuvoli 12/12/97
s78087@cclix1.polito.it

TS -9, -10, -808 Signal Path with External Switching



Component differences from model to model

	Ra	Rb	Rc	Op Amp
TS808	0	100	10K	RC4558
TS9	0	470	100K	RC4558
TS10	220	470	100K	NJM4558

TS-5 is the same schematic as TS-9.

Fertile areas for mods

- Clipping diodes - change ONE diode to a different type for asymmetrical clipping. Perhaps one diode gets changed to two or three germanium diodes (1N34A, Radio Shack) for asymmetrical clipping, or both changed to different colored LED's.
- tone filter caps - change to film from tantalum and tink with values; up to as much as 0.47uF for more bass and mids, down to 0.1 for more treble.
- Other dual opamps: some units have TA75558 opamps installed; put in a socket and swap amps for lowest noise and best distortion. Good possibilities are LM358, TL072, LM833, LT1124, OP227.