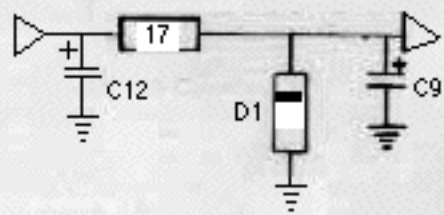
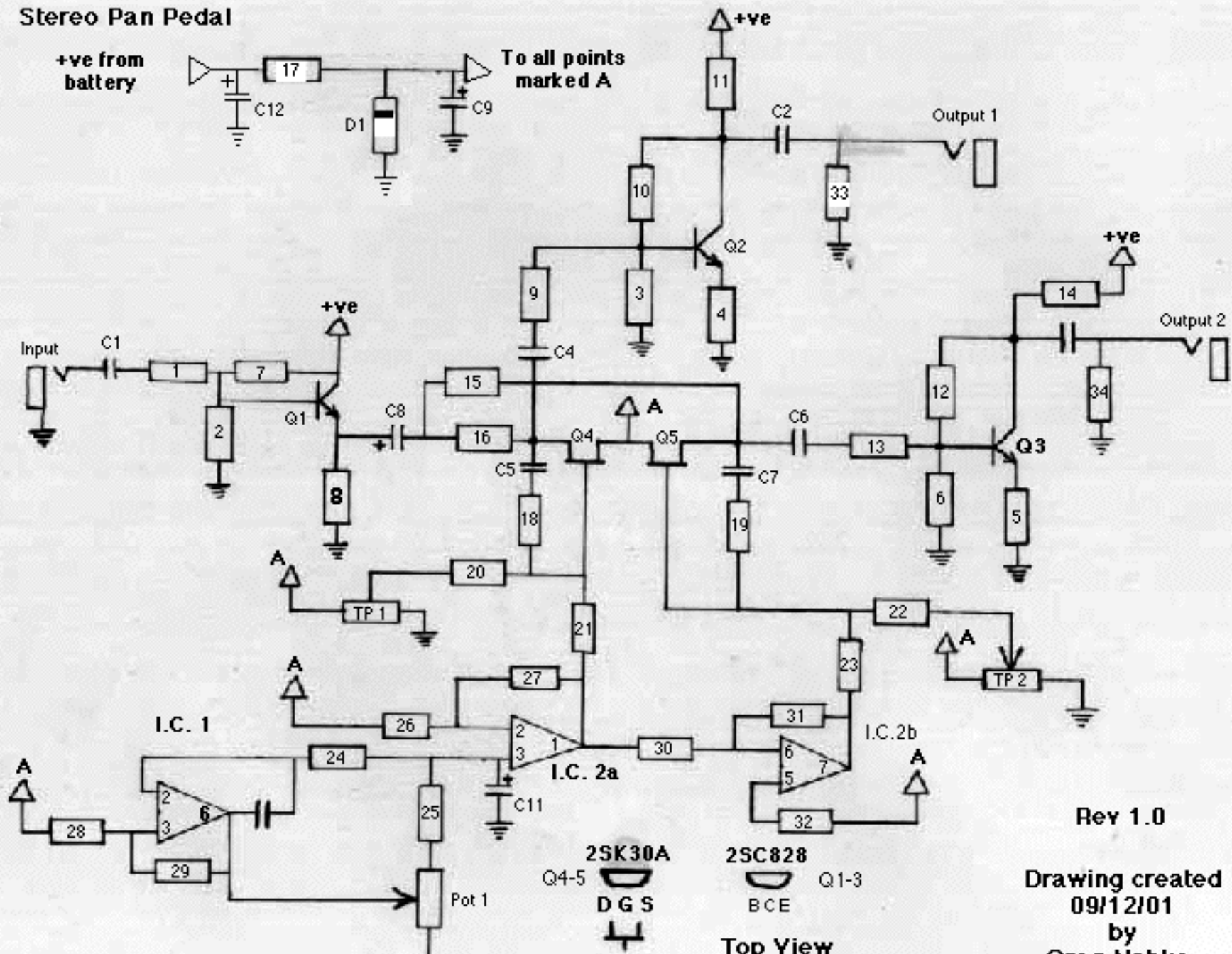


Ibanez ST-810 Stereo Pan Pedal

+ve from battery

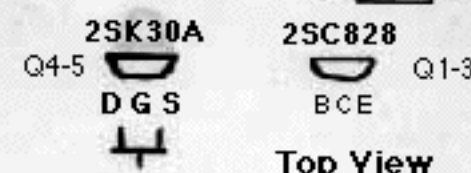


To all points marked A



Rev 1.0

Drawing created
09/12/01
by
Greg Nabke.



Top View