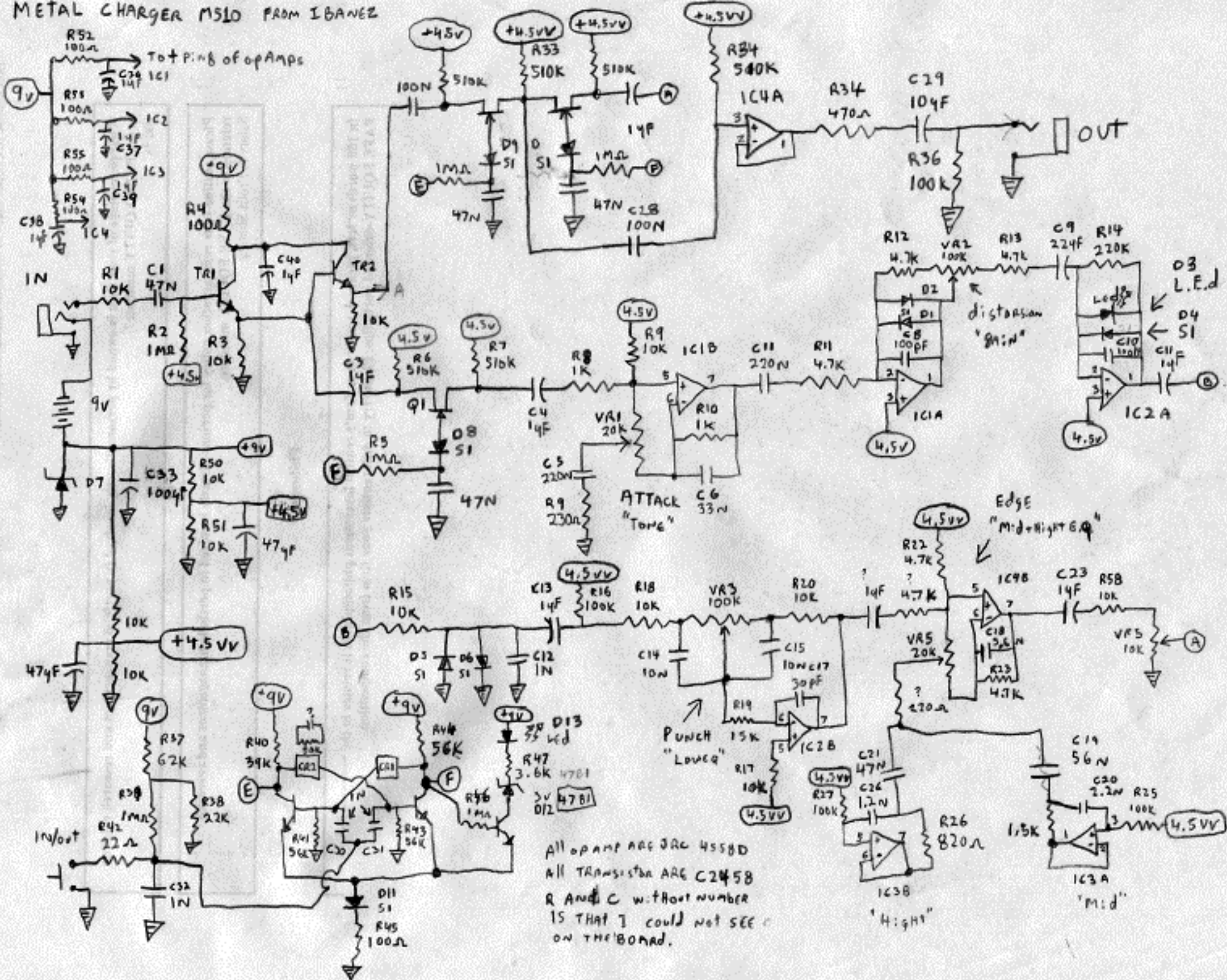


METAL CHARGER MS10 FROM IBANEZ



All opamp are JRC 4558D
 All Transistor are C2458
 R and C without number
 is that I could not see
 on the board.

Edge
 "Mid-High EQ"

Punch
 "LowEQ"

distortion
 "gain"

"High"

"Mid"