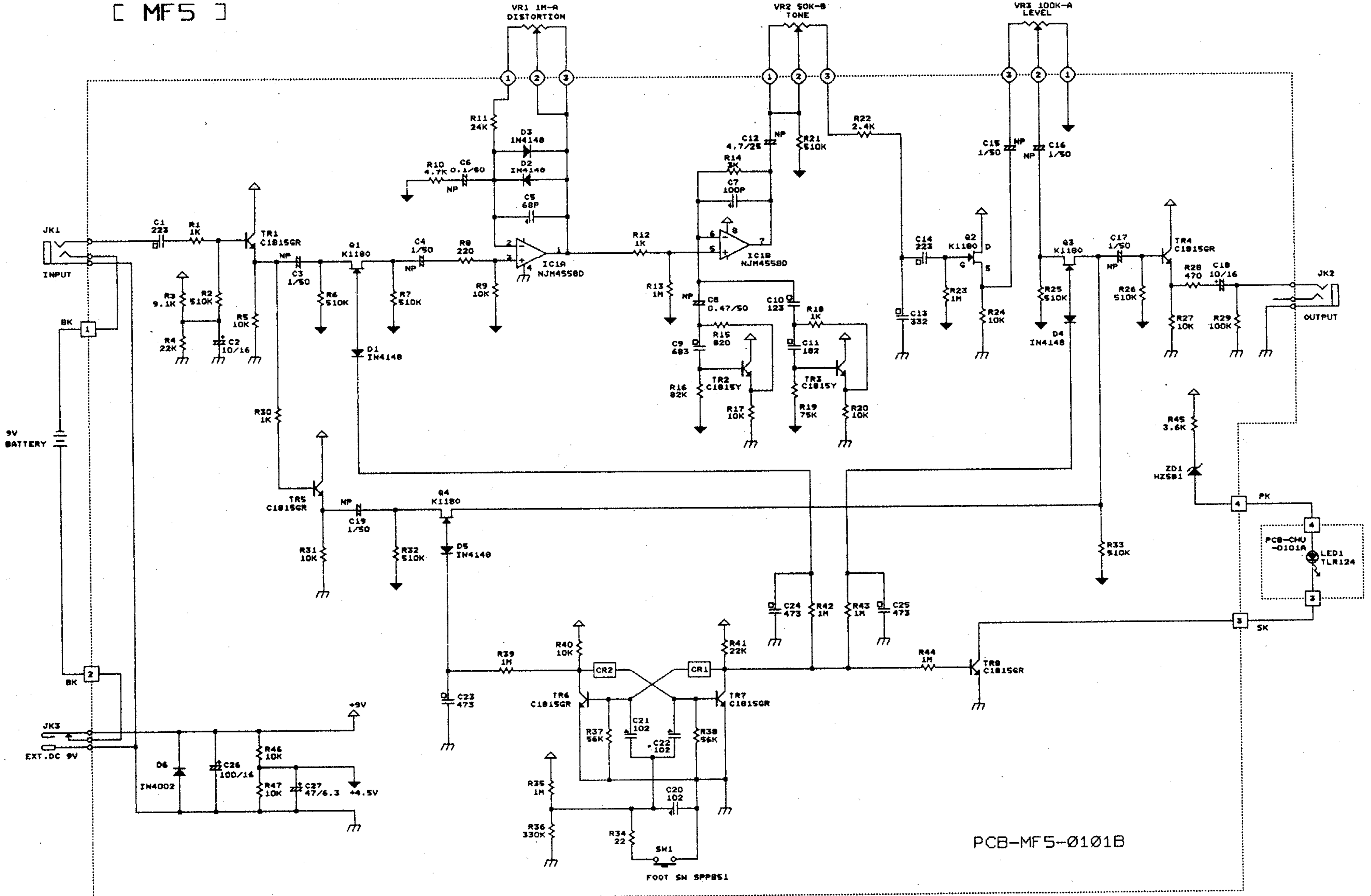


MODERNFUSION

[MF5]

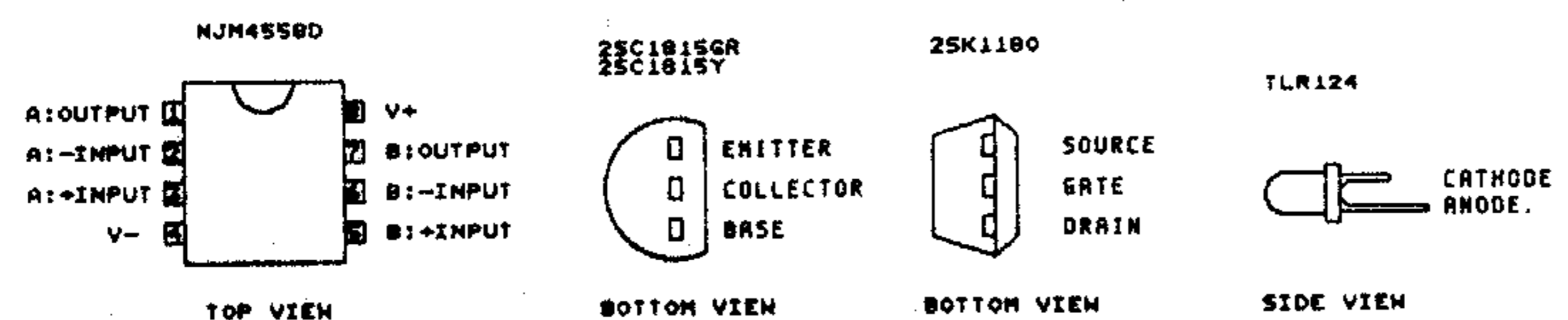


PCB-MF5-0101B

== CAUTION ==
 This schematic diagram is a normal standard one. The parts rating and/or schematic diagram will be subject to change without notice.

== PART LIST ==

IC1	NJM4558D
TR2,3	2SC1815Y
TR1,4,5,6,7,8	2SC1815GR
Q1,2,3,4	2SK1180
D1,2,3,4,5	1N4148
D6	1N4002
ZD1	HZ5B1
LED1	TLR124



== color ==

BR	Brown
RD	Red
OR	Orange
YL	Yellow
GR	Green
BL	Blue
VT	Violet
GY	Gray
WH	White
BK	Black
SK	Sky Blue
LG	Light Green
PK	Pink

== NOTES ==

△ : CERAMIC capacitor.
 □ : FILM capacitor.
 All ceramic capacitors are above 25v ratings.
 All film capacitors are above 50v ratings.
 BP : BI POLAR capacitor.
 NP : NON POLAR capacitor.
 T : TANTALUM capacitor.
 And all capacitors are ELECTROLYTIC capacitors unless otherwise marked.
 Unless otherwise indicated:
 Resistance in ohm, KkOhm, MhMohm.
 Resistors, 1/4W or 1/8W +/-5% rating.
 Capacitance in p-pF, u-uF