

8 | 7 | 6 | 5 | 4 | 3 | 2 | 1

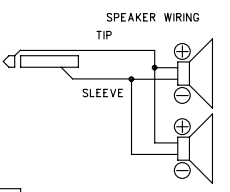
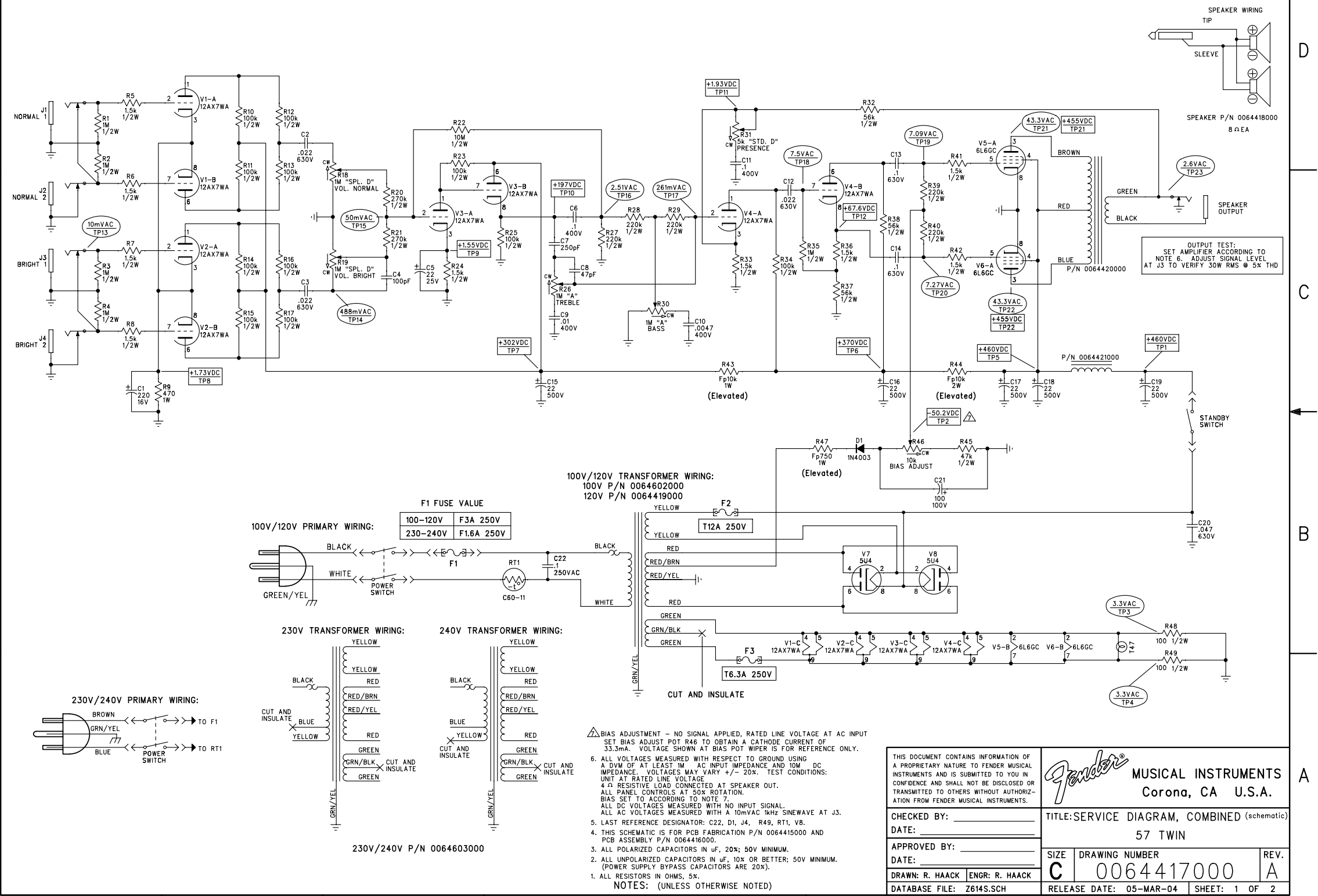
REVISIONS			
REV.	DESCRIPTION	DATE	APPROVED
A	PR614	5-MAR-04	R B H

D

C

B

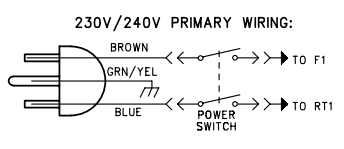
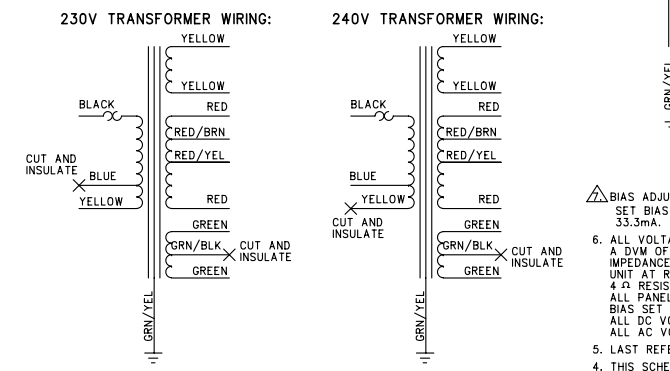
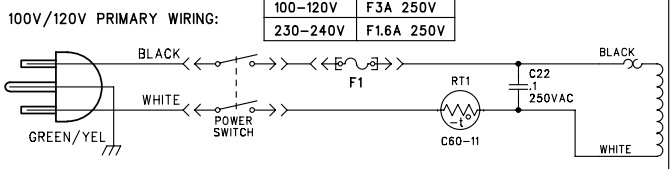
A



OUTPUT TEST:
SET AMPLIFIER ACCORDING TO
NOTE 6. ADJUST SIGNAL LEVEL
AT J3 TO VERIFY 30W RMS @ 5% THD

F1 FUSE VALUE

100-120V	F3A 250V
230-240V	F1.6A 250V



100V/120V TRANSFORMER WIRING:
100V P/N 0064602000
120V P/N 0064419000

- BIAS ADJUSTMENT - NO SIGNAL APPLIED, RATED LINE VOLTAGE AT AC INPUT SET BIAS ADJUST POT R46 TO OBTAIN A CATHODE CURRENT OF 33.3mA. VOLTAGE SHOWN AT BIAS POT WIPER IS FOR REFERENCE ONLY.
- ALL VOLTAGES MEASURED WITH RESPECT TO GROUND USING A DVM OF AT LEAST 1M AC INPUT IMPEDANCE AND 10M DC IMPEDANCE. VOLTAGES MAY VARY +/- 20%. TEST CONDITIONS: UNIT AT RATED LINE VOLTAGE. 4 ohm RESISTIVE LOAD CONNECTED AT SPEAKER OUT. ALL PANEL CONTROLS AT 50% ROTATION. BIAS SET TO ACCORDING TO NOTE 7.
 - ALL DC VOLTAGES MEASURED WITH NO INPUT SIGNAL.
 - ALL AC VOLTAGES MEASURED WITH A 10mVAC 1kHz SINEWAVE AT J3.
 - LAST REFERENCE DESIGNATOR: C22, D1, J4, R49, RT1, V8.
 - THIS SCHEMATIC IS FOR PCB FABRICATION P/N 0064415000 AND PCB ASSEMBLY P/N 0064418000.
 - ALL POLARIZED CAPACITORS IN uF, 20% 50V MINIMUM.
 - ALL UNPOLARIZED CAPACITORS IN uF, 10% OR BETTER; 50V MINIMUM. (POWER SUPPLY BYPASS CAPACITORS ARE 20%).
 - ALL RESISTORS IN OHMS, 5%.
- NOTES: (UNLESS OTHERWISE NOTED)

THIS DOCUMENT CONTAINS INFORMATION OF A PROPRIETARY NATURE TO FENDER MUSICAL INSTRUMENTS AND IS SUBMITTED TO YOU IN CONFIDENCE AND SHALL NOT BE DISCLOSED OR TRANSMITTED TO OTHERS WITHOUT AUTHORIZATION FROM FENDER MUSICAL INSTRUMENTS.

CHECKED BY: _____
DATE: _____

APPROVED BY: _____
DATE: _____

DRAWN: R. HAACK ENGR: R. HAACK
DATABASE FILE: Z614S.SCH

Fender MUSICAL INSTRUMENTS
Corona, CA U.S.A.

TITLE: SERVICE DIAGRAM, COMBINED (schematic)
57 TWIN

SIZE: C DRAWING NUMBER: 0064417000 REV: A

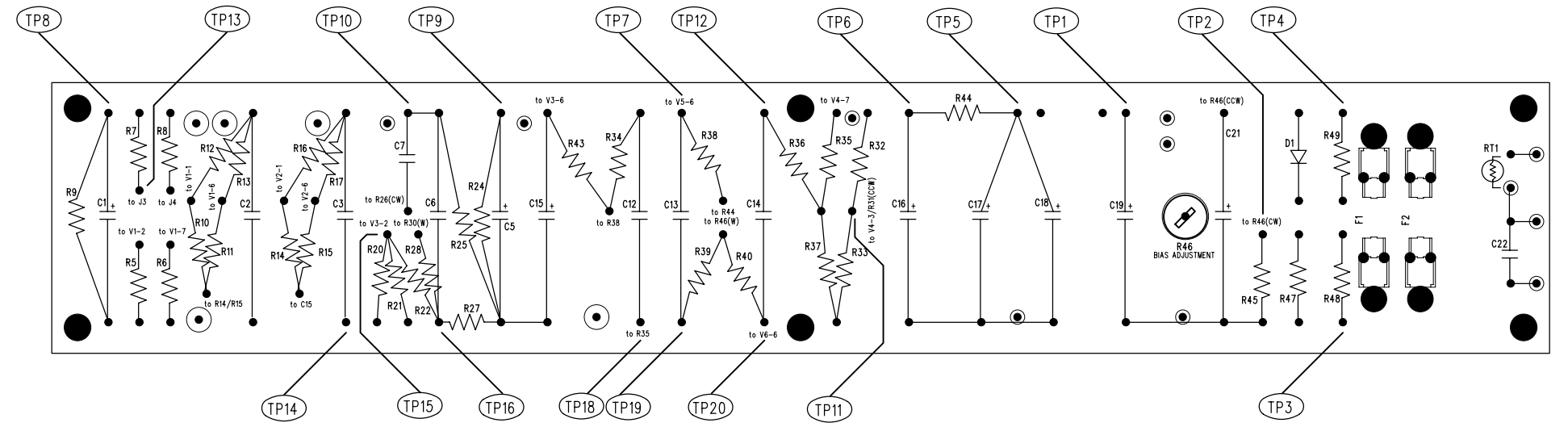
RELEASE DATE: 05-MAR-04 SHEET: 1 OF 2

8 | 7 | 6 | 5 | 4 | 3 | 2 | 1

8 | 7 | 6 | 5 | 4 | 3 | 2 | 1


REVISIONS			
REV.	DESCRIPTION	DATE	APPROVED
A	PR614	05-MAR-04	R B H

D
C
B
A

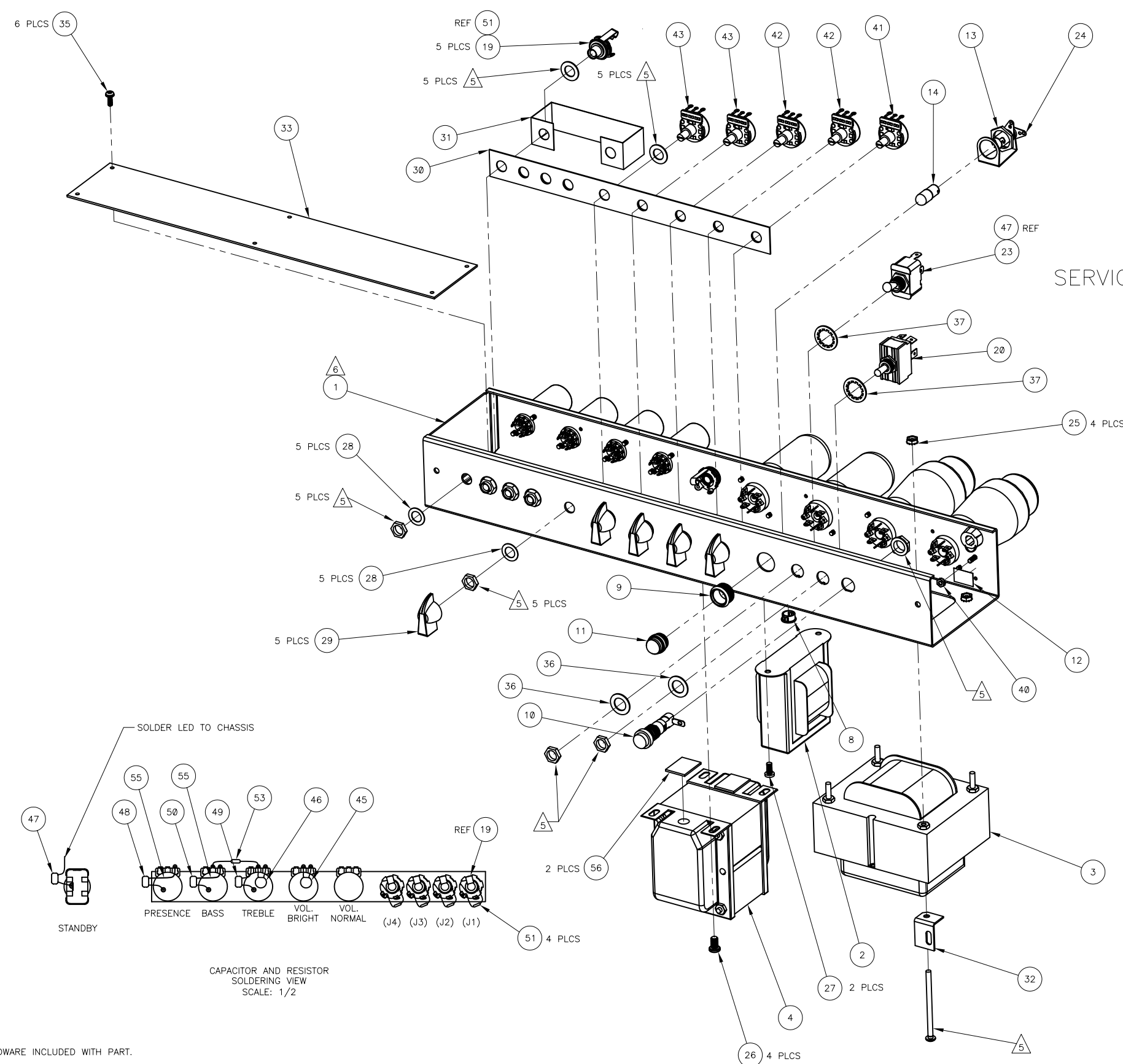


FILM/DWG: SERVICE DIAGRAM
 DATABASE: Z614P.PCB DATE: 05-MAR-04

2. SEE PAGE 1 FOR NOTES AND TEST CONDITIONS
 1. WIRES NOT SHOWN FOR CLARITY
 NOTES: (UNLESS OTHERWISE NOTED)

THIS DOCUMENT CONTAINS INFORMATION OF A PROPRIETARY NATURE TO FENDER MUSICAL INSTRUMENTS AND IS SUBMITTED TO YOU IN CONFIDENCE AND SHALL NOT BE DISCLOSED OR TRANSMITTED TO OTHERS WITHOUT AUTHORIZATION FROM FENDER MUSICAL INSTRUMENTS.		 MUSICAL INSTRUMENTS Corona, CA U.S.A.	
CHECKED BY: _____	TITLE: SERVICE DIAGRAM, COMBINED (PCB assy) 57 TWIN		
DATE: _____	SIZE	DRAWING NUMBER	REV.
APPROVED BY: _____	C	0064417000	A
DATE: _____	RELEASE DATE: 05-MAR-04	SHEET 2 OF 2	
DRAWN: R. HAACK ENGR: R. HAACK	DATABASE FILE: Z614P.PCB		

8 | 7 | 6 | 5 | 4 | 3 | 2 | 1



SERVICE MANUAL DOCUMENT
7/20/2004

(N.S.) = NOT SHOWN

ITEM	QTY	DESCRIPTION
56	AR	FOAM TAPE
55	AR	TUBING 18GA CLEAR PVC-105-18
54	2	RES CF 1/2W 5% 1.5kohm
53	1	RES CF 1/2W 220k 5%
52	1	RES CF 1/2W 100k 5%
51	4	RES CF 1/2W 1 MEG 5%
50	1	CAP PFF .0047uF 400V 10%
49	1	CAP MPF RDL.01uF 400V 10%
48	1	CAP MPF RDL .1uF 400V 10%
47	1	CAP MPF RDL .047uF 630V 10%
46	1	CAP CD 47pF 500V 5%
45	1	CAP CD 100pF 500V 5%
44	1	WIRESSET 57 TWIN (N.S.)
43	2	CONTROL CTS CHS MNT 1M SPL D
42	2	CONTROL CTS CHS MNT 1M A
41	1	CONTROL CTS CHS MNT 5k STD D
40	1	NUT 6-32 HEX EXT LOCK
39		
38	1	CABLE ASSEMBLY PWR
37	2	WASHER,INT TOOTH .500x.815x.04
36	2	WSHR FLAT .473x.750 NI
35	6	SCRW M 6-32x3/8 PHPS BLX ITLW
34	16	SCRW TF 6-32x1/4 PHP ZI
33	1	PCB ASSY 57 TWIN
32	1	BRACKET TRANSFORMER 57 TWIN
31	1	GUARD JACK PHONE 57 TWIN
30	1	STRIP BRASS 57 TWIN
29	5	KNOB CHICKEN HEAD 1/4 SHFT BLK
28	10	WSHR FLAT 3/8x.614 NI (049)
27	2	SCRW TF 8-32x3/8 PHP BLX
26	4	SCRW TF 10-32x3-8 PHP ZI
25	4	NUT KEPS #8-32 ZINC
24	1	HOLDER IDAL LITE ASSY PILOT
23	1	SWITCH TOGGLE SPST W/NUTS
22	1	BUSHING SR .625x.062x37/64 BLK
21	1	SCRW M 6-32x3/8 PHP NI
20	1	SWITCH TOGGLE DPST W/NUTS
19	5	JACK PHONE TIP SHUNT 12A
18	4	TUBE SOCKET 9 PIN
17	4	TUBE SHIELD (099-0723-000)
16	4	TUBE RING UNIVERSAL (277H-2)
15	2	TUBE 6L6GC GE CLONE
14	1	PILOT LIGHT #T47
13	1	NUT HOLDER PILOT LIGHT 1/16-27
12	1	LABEL GROUNDING SEMKO
11	1	JEWEL PILOT LITE RED #20
10	1	FUSE HOLDER
9	1	COLLAR-PILOT LIGHT
8	1	BUSHING SNAP 5/16x17/32 BLK
7	4	TUBE SCKT 8 PN (099-0724-000)
6	4	TUBE 7025/12AX7WA RUSSIAN MADE
5	2	TUBE 5U4GB
4	1	XFMR OUTPUT 57 TWIN
3	1	XFMR POWER 57 TWIN
2	1	CHOKE 57 TWIN
1	1	CHASSIS 57 TWIN

5. HARDWARE INCLUDED WITH PART.

Fender
FENDER MUSICAL INSTRUMENTS CORP.
CORONA, CALIFORNIA U.S.A.

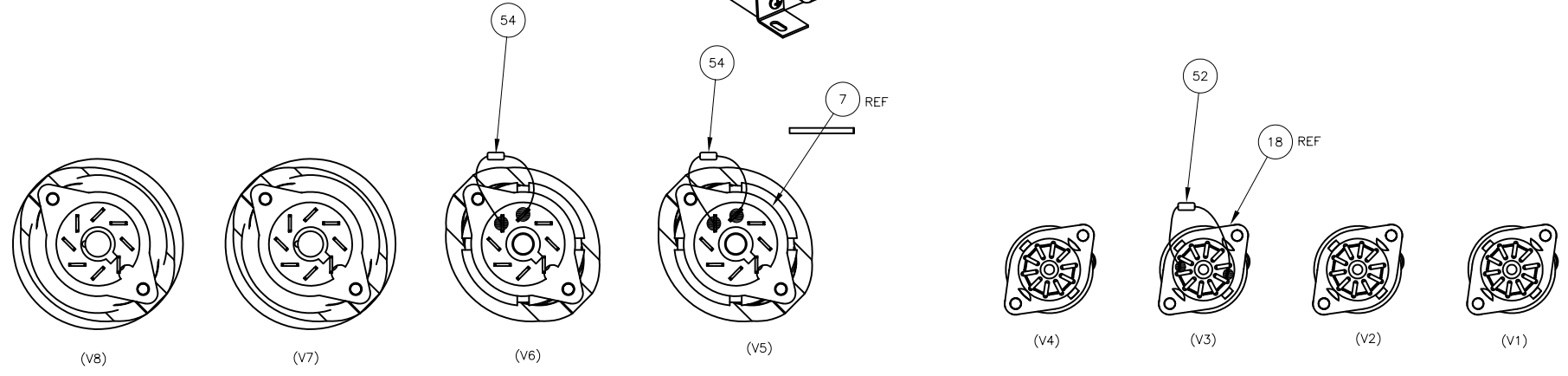
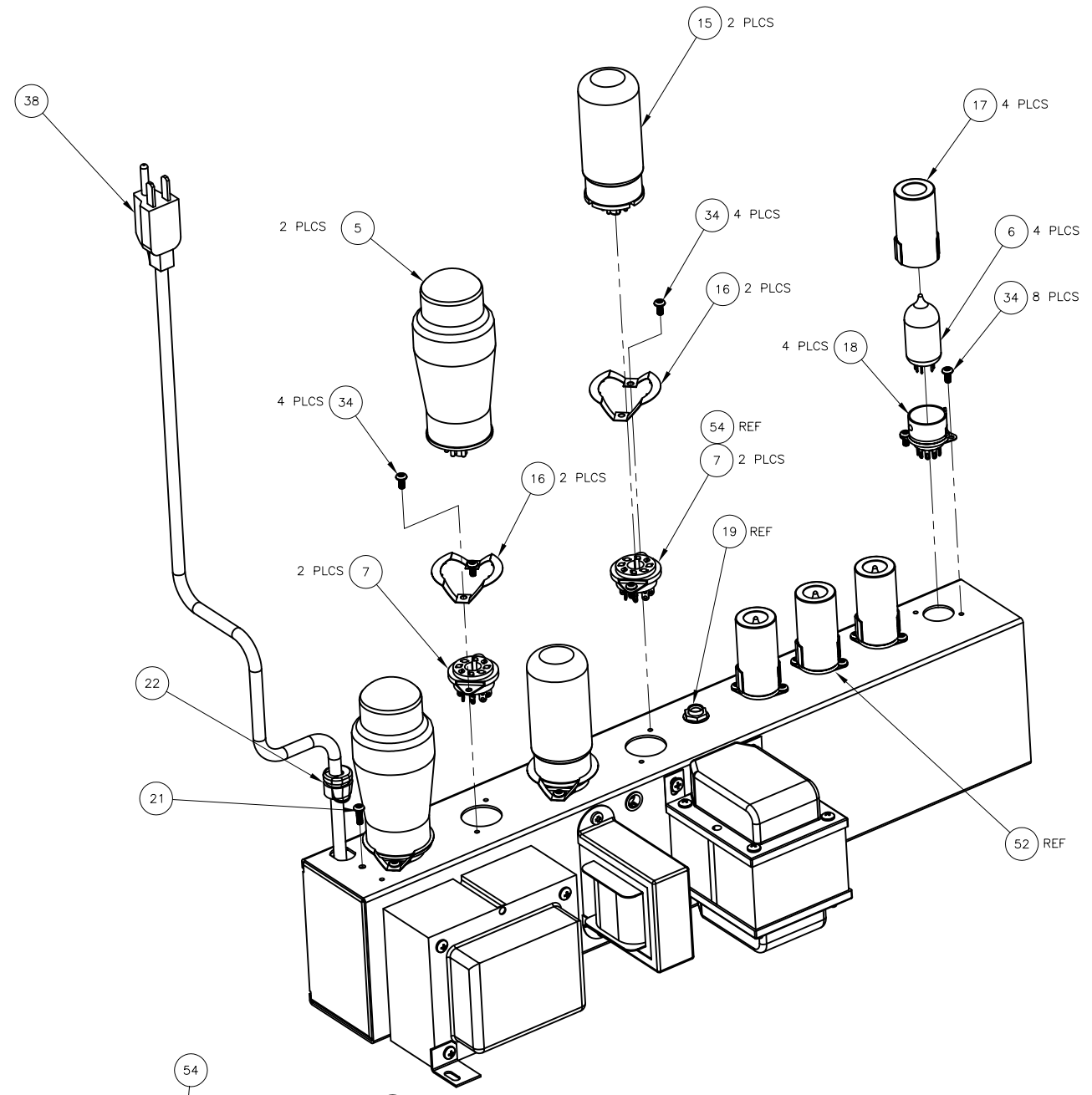
DATE: 12/13/2003

TITLE: CHASSIS ASSEMBLY 57 TWIN

SHEET 1 of 2
SCALE NONE


SIZE D
DRAWING NUMBER 0064594000
REV. C

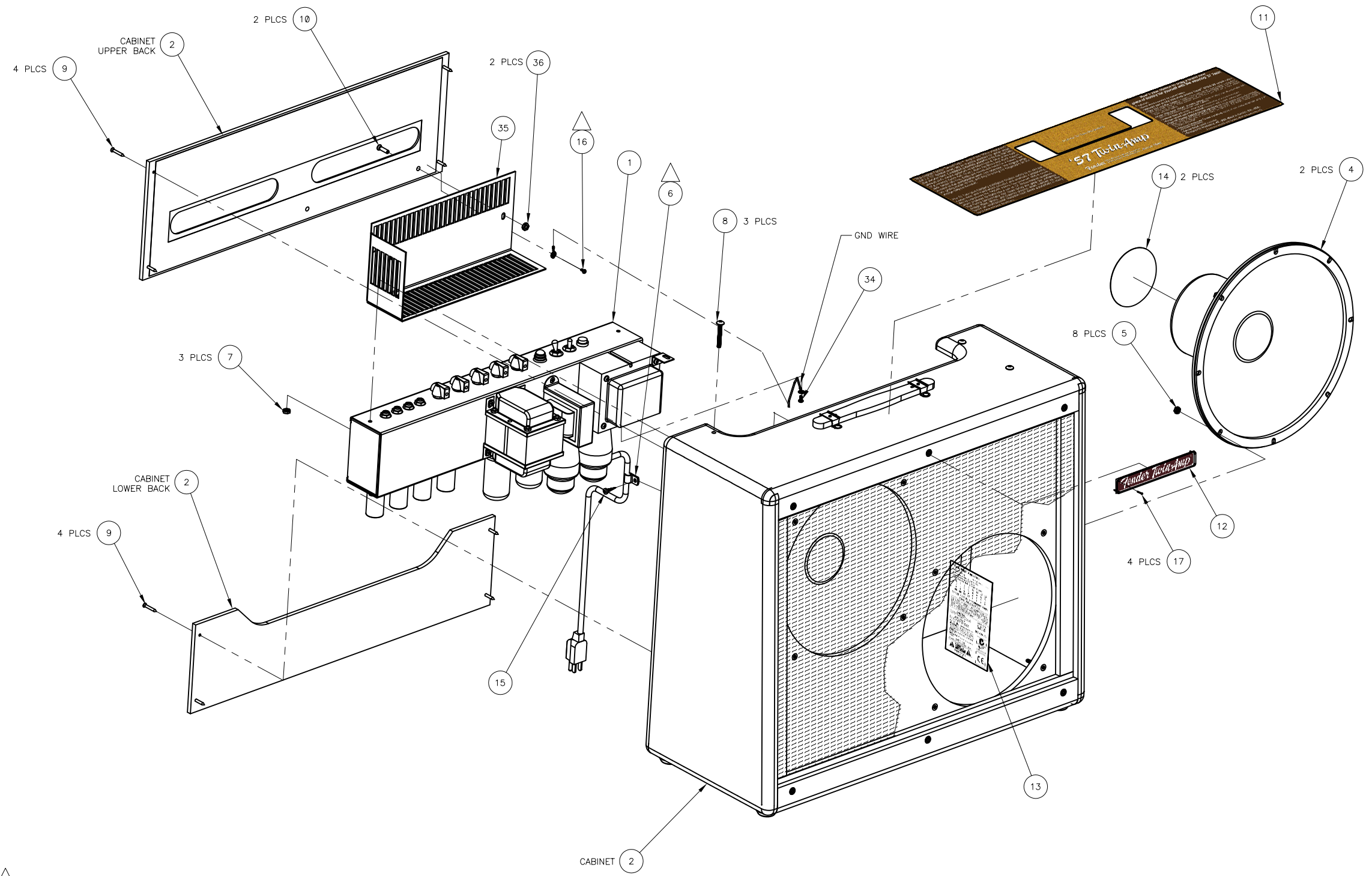
MASTER/ASSEMBLY



RESISTOR SOLDERING VIEW
SCALE: 1/1

SERVICE MANUAL DOCUMENT
7/20/2004

ENGINEER		 FENDER MUSICAL INSTRUMENTS CORP. CORONA, CALIFORNIA U.S.A.			
DRAWN					
DATE					
DFT.	ENG.	ENG.	TITLE		
DATE	DATE	DATE	CHASSIS ASSEMBLY 57 TWIN		
APPROVED		SHEET	SIZE	DRAWING NUMBER	REV.
DATE		2 of 2	D	0064594000	C
		SCALE	MASTER/ASSEMBLY		
		NONE			



SERVICE MANUAL DOCUMENT

7/20/2004

ITEM	QTY	DESCRIPTION
38	1	CARTON INTER 57 TWIN (N.S.)
37	1	HANDLE 9" LEATHER BROWN (N.S.)
36	2	NUT KEPS 10-32 ZINC
35	1	COVER, TUBE 57 TWIN
34	1	SCRW TF 6-32X1/4 PHP ZI
33	1	MANUAL OWNERS 57 TWIN (N.S.)
32	1	WIRESSET END ITEM 57 TWIN (N.S.)
31	1	TAG WARRANTY 5 YR FENDER-NEW (N.S.)
30	1	TAG HANG 100% TUBE CIRCUITRY (N.S.)
29	1	SVC DIAG COMBO 57 TWIN (N.S.)
28	1	STICKER BUMPER FEND SINCE 1946 (N.S.)
27	1	REGISTRATION CARD (N.S.)
26	1	HANG TAG GROOVE TUBE (N.S.)
25	1	EPERANFOAM R CORNER 4-3/4" (N.S.)
24	1	EPERANFOAM L CORNER 4-3/4" (N.S.)
23	14	EPERANFOAM CORNER 4-1/2x4-1/2 (N.S.)
22	1	CARTON OUTER 57 TWIN (N.S.)
21	1	BAG POLY ZIP 10x13 2M (N.S.)
20	1	BAG POLY BOX BTM 23x17x40 .002 (N.S.)
19	1	BAG JIFFY #1 7-1/4x12 (N.S.)
18	1	AMP COVER 57 TWIN (N.S.)
17	4	PIN ESCUTCHEON #18x3/8 NI
16	1	SCRW HI-LO 6x1/4 PHPS ZI
15	1	SCRW PB 8x3/4 PHP ZI
14	2	LABEL ALNICO WEBER 12" 57 TWIN
13	1	LABEL TUBE/SAFETY 57 TWIN
12	1	NAMEPLATE 57 TWIN
11	1	LABEL POP 57 TWIN
10	2	SCRW M 10-32x3/4 THP NI
9	8	SCRW WOOD 6x1 OHP NI
8	3	SCREW M 10-32x1-1/2 THP NI
7	3	NUT KEPS 10-32 ZINC
6	1	CLAMP CABLE NYL SCRW MNT 5/16
5	8	NUT KEPS #8-32 ZINC
4	2	SPEAKER ALNICO WEBER 12"
3	1	CABLE ASSY SPKR RT ANG 13-1/2" (N.S.)
2	1	CABINET ASSEMBLY 57 TWIN
1	1	CHASSIS ASSEMBLY 57 TWIN

6. SCREW ITEM 6 (CLAMP, CABLE) TO INSIDE SIDE WALL OF CABINET, USING ITEM 15.
 5. SCREW GROUND WIRE INTO ALUMINUM FOIL OF ITEM 2 (CABINET, UPPER BACK) USING ITEM 16.

Fender
 FENDER MUSICAL INSTRUMENTS CORP.
 CORONA, CALIFORNIA U.S.A.

DATE

DFT. ENG. ENG. TITLE
 DATE DATE DATE 57 TWIN
 END ITEM ASSEMBLY

APPROVED SHEET SIZE DRAWING NUMBER REV.
 DATE 1of1 D 8140500000 A
 SCALE NONE MASTER/ASSEMBLY